

PC200 PROOFER**STANDARD DOUBLE WIDE****FEATURES**

Essential to production of a wide variety of products at varying times

Stainless steel construction

Modular design

Digital controls

Many depths available

Perfect complement to Rotating Rack or Revolving Tray Oven

Individual rack timers

Easy access humidity and air heat systems

OPTIONS

Upper Trim: Back and/or Side

Prison Package

Door Window

Stainless Steel Floor



Don't settle for a choice of three or four proofer sizes. Baxter's modular design allows you to custom fit your rack capacity or custom fit into limited available space.

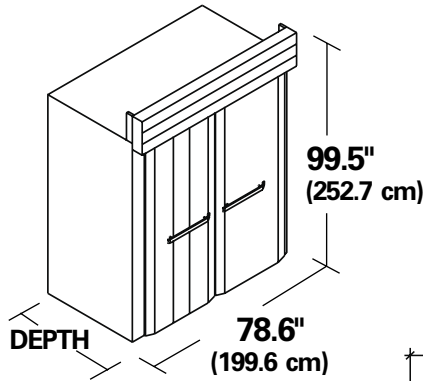
**BAXTER**

PC200 SPECIFICATIONS

Depth Choices Frt. Class: 85 (Pass-Thru Models Available, Contact Factory)

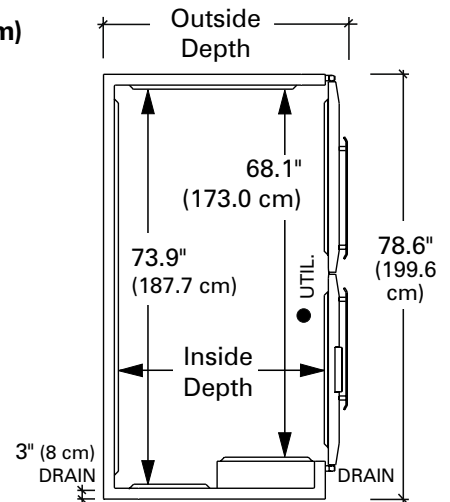
DEPTH (inches)	DUCT (S)	Coved Base w/out Floor		Coved Base w/ SS Floor	
		WGT. LBS.	(WGT. KG)	WGT. LBS.	(WGT. KG)
28/35.8*	1	1,121	(508 kg)	1,171	(531 kg)
38/45.8*	1	1,211	(549 kg)	1,344	(610 kg)
48/55.8*	1	1,301	(590 kg)	1,427	(647 kg)
58/65.8*	1	1,392	(631 kg)	1,510	(685 kg)
68/75.8	1	1,483	(673 kg)	1,593	(723 kg)
78/85.8	2	1,574	(714 kg)	1,768	(802 kg)
118/125.8	2	1,937	(879 kg)	2,099	(952 kg)

*Can be shipped set-up for an additional charge.
(Frt. Class 100)



99.5"
(252.7 cm)

78.6"
(199.6 cm)



Power Input Choices Located at 87½" AFF.

HEATING CIRCUIT					CONTROL CIRCUIT		
VOLTS	PH	AMPS		Hz	VOLTS	PH	AMPS
		1 DUCT	2 DUCTS				
208-240	1	23.8-27.5	47.6-55.0	50/60	120	1	15 AMP MAX. BRANCH CIRCUIT PROTECTOR SIZE
208-240	1	23.8-27.5	47.6-55.0	50/60	208-240	1	
208-240	3	13.8-15.9	27.6-31.8	50/60	120	1	
208-240	3	13.8-15.9	27.6-31.8	50/60	208-240	1	
380-460	3	8.4-10.2	16.8-20.4	50/60	220-254	1	
440-480	3	9.8-10.6	19.6-21.2	50/60	120	1	

75" Maximum
Rack Height

Doors Swing From
Outside Corners.
Lap strip at center.

Utilities

Drain:

1/2" (1.27 cm) NPTF pipe front or rear drain
@ 5" (12.7 cm) AFF. Route to air-gap drain.

Water:

1/2" (1.27 cm) Pipe (min) Cold Water 30-80 psi
@ 87½" (222.3 cm) AFF.



BAXTER

PC200

PRINTED IN U.S.A. 5/02

BAXTER • 19220 STATE ROUTE 162 EAST • ORTING, WA 98360
(360) 893-5554 • CUST SVC: (800) 777-2828 • FAX: (360) 893-6836 • www.baxtermfg.com