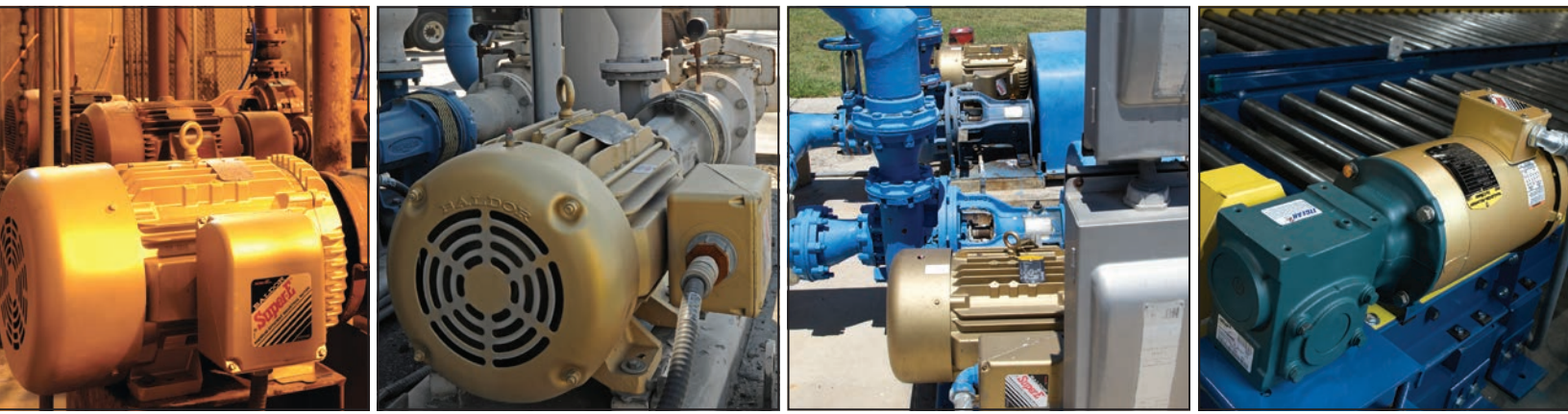


BALDOR • RELIANCE

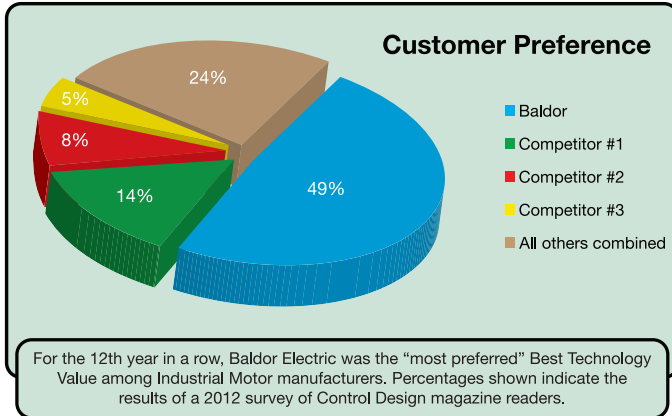


**Super-E[®] Premium
Efficient Motors**



BALDOR
A MEMBER OF THE ABB GROUP

Why Baldor?



For nearly 100 years, Baldor has strived to provide customers with the best value and reliability in industrial electric motors. That dedication shows in customer preference for Baldor•Reliance motors. To be considered as the most preferred...

Baldor offers the industry's broadest line of stock products. Save valuable time with just one call to Baldor. We offer more than 10,000 stock motors, drives and gearboxes.

Energy-efficiency leader. We began lowering the energy consumption of our motors in the 1920s, long before others were even talking about it. Today, our expansive line of Super-E® premium-efficient motors ranges from 1 through 15,000 Hp. Baldor's Super-E® line offers customers the highest overall efficiency levels in the industry.



Baldor products are available at more locations than any other brand.

Our 36 district offices across North America and hundreds of ABB offices around the world, offer immediate availability of Baldor products to thousands of customers.

Continuous innovation to improve reliability.

Baldor leads the motor industry in applying new technologies to improve motor reliability. Recent improvements to the line of Severe Duty motors are further proof that Baldor is the leader in motors for process industry applications. These improvements are explained in detail in the following pages.

Industry's shortest lead times/Flexible manufacturing.

Baldor has the industry's shortest lead times on custom motors – just ten working days. Our unique LEAN FLEX FLOW™



manufacturing process lets us produce any order in any quantity, quickly and efficiently.

Industry's best information. Only Baldor offers customers so many choices for product information with a wide variety of catalogs and product brochures, the Baldor Web site at www.baldor.com, or you may talk to a Baldor customer service person at one of our sales offices.

Table of Contents

| | Page |
|------------------------------------|------|
| Specifications and Features | |
| Why Baldor? | b |
| Baldor Super-E® Motors | 1 |
| Energy Efficiency | 2 |
| Energy Savings | 2 |
| TEFC Motor Construction | 3 |
| Design Features | 4 |
| TEFC Capabilities | 6 |
| Motor Performance Data | |
| TEFC | 7 |
| Open Drip Proof | 14 |
| Severe Duty | 19 |
| IEEE 841 | 24 |
| 661XL | 28 |
| Crusher Duty | 29 |
| Dirty Duty | 30 |
| Dirty Duty Autophoretic | 30 |
| Washdown Duty | 31 |
| Severe Duty Design Features | 34 |
| SSE Stainless Steel Motors | 35 |
| Paint Free Washdown Duty | 37 |
| Explosion-Proof | 38 |
| Severe Duty Explosion-Proof | 41 |
| Explosion-Proof Drill Rig Duty | 42 |
| Close Coupled Pump | 44 |
| Vertical P-Base | 49 |
| HVAC | 50 |
| Chiller/Cooling Tower | 55 |
| Single Phase | 56 |
| 200 Volt | 58 |
| Unit Handling | 60 |
| Brake | 62 |
| Adjustable Speed Capabilities | 65 |
| Conduit Box Volumes | 66 |
| Motor Dimensions | 67 |
| Connection Diagrams | 93 |

The Baldor Super-E®

In the mid-70s, a southeastern tire manufacturing plant asked Baldor to increase their plant's operating efficiencies. After analyzing the efficiencies of the plant's 75 Hp motors, Baldor engineers determined that considerable energy savings could be gained from a motor design focused on "active materials." By adding more copper to the windings, upgrading the laminations to a premium-grade steel, designing precision air gaps between the rotor and stator, and reducing fan and other losses in the motor, Baldor was able to supply the plant with the premium efficient motors it needed. This was the birth of the Baldor Super-E®.

Over 1,000 Stock Motor Ratings

Today's line of Baldor Super-E motors offers customers some from the highest levels of efficiencies, in ratings of 1 to 15,000 horsepower. Baldor has ratings available immediately from stock, with non-stock motors with the industry's shortest load times. All Super-E motors (except Explosion-Proof) are also "Inverter-Ready".

The Right Premium Efficient Motor for your Application

Whether it's a premium efficient motor for harsh, outdoor conditions at a petro-chemical plant, or for continuous duty in a distribution center, Baldor offers customers a variety of choices.

Super-E Totally Enclosed Fan Cooled (TEFC) and Open Drip Proof (ODP) are reliable motors that have kept plants operating efficiently since their introduction in 1983. Explosion-Proof, Close Coupled Pump and Automotive Approved Super-E's deliver premium efficiency for special applications.

In applications requiring added protection from corrosion caused by severe environmental operating conditions, Baldor•Reliance Super-E Severe Duty motors are available in TEFC ratings from 1 through 2250 Hp. Cast-iron construction, epoxy primer and finish paint inside and out, gaskets on all joints and many other features provide added protection where and when you need it most.

For the ultimate in protection from severe environments – where you need added insurance against downtime – Baldor offers IEEE 841 motors. Delivering reliable, rugged performance with the industry's highest energy efficiencies, these motors exceed IEEE 841 - 2001 standards for severe duty TEFC induction motors. Inpro/Seal® bearing isolators at both the drive end and fan end. Baldor IEEE 841 motors are available immediately off the shelf, in 1 - 250 Hp ratings, with special designs available as custom motors.

Leadership in Premium Efficiency

Called a "key breakthrough" by the Consortium for Energy Efficiency, the CEE in 1998 recognized Baldor's Super-E as the first premium efficient motor line to meet their stringent efficiency criteria, citing "For the first time, one manufacturer will carry all qualifying products."



A Baldor Super-E motor and Inverter Control provide premium energy efficiency and improved process control to a municipal water treatment facility.

Minimum Efficiency Performance Standards (MEPS) for electric motors are becoming commonplace throughout the world. The first of these was the Energy Policy Act of 1992 (EPA) that mandated efficiency levels for 1-200 Hp general purpose motors for sale in the U.S. after October 1997. The Energy Independence and Security Act of 2007 (EISA) builds upon EPA and raises the efficiency level for these motors to NEMA Premium® efficiency and adds other configuration and 201-500 Hp ratings for MEPS compliance. Baldor•Reliance Super-E motors manufactured today meet or exceed EISA requirements.

As countries and regions across the world establish minimum efficiency levels for motors, more companies are turning to the Baldor•Reliance Super-E. This includes plant and processing applications, as well as OEM products for shipment overseas. Super-E motors meet or exceed the efficiency levels defined by The Energy Independence & Security Act of 2007 (EISA) in the U.S., NRC in Canada, and IEC 60034-30 IE3 level in Europe. Super-E motors meet or exceed NEMA Premium® efficiencies.

A wide selection of premium efficient motors, available from stock, manufactured and sold by a company committed to building better products for industries worldwide. No wonder, since the 1920s, Baldor•Reliance is recognized as the leader in energy efficient industrial motors and drives.



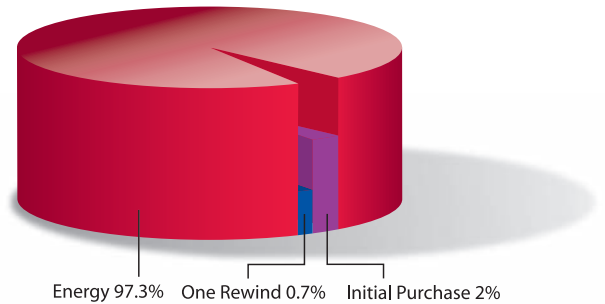
Making Energy Efficiency Work For You

Why is Energy Efficiency Important?

Electric motor-driven systems used in industrial processes consume 63% of all electricity used in U.S. industrial sector according to a U.S. Department of Energy report published in 1998. A 2002 report shows that companies that practiced DOE "best practices" actually averaged 33 percent savings if they were to apply motor and motor system efficiency upgrades, including the use of adjustable speed drives. The potential positive impacts on companies' bottom lines and the environment are significant.

Purchase Price is Only a Small Piece of the Pie

The pie chart to the right shows the typical life cycle cost of a 100 Hp motor operating in continuous duty over a 20-year life. As you can see, the original purchase price is almost insignificant compared to what it will cost to power the motor during its useful life.



How Baldor Super-E® Efficiencies Compare to Industry Standards

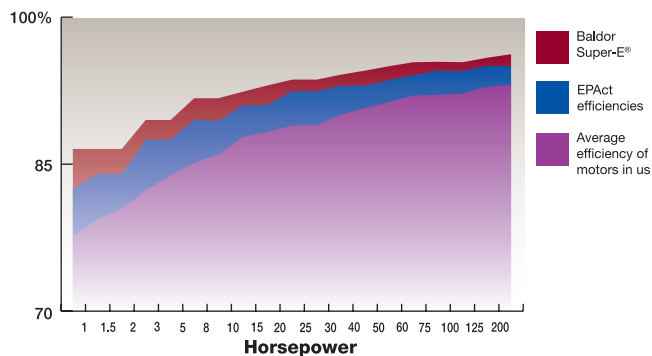
Baldor's line of Super-E motors offers customers the highest level of overall efficiencies available from any motor manufacturer, meeting or exceeding NEMA Premium® efficiency.

BEST™ Baldor Energy Savings Tool Makes Calculating Payback Easy

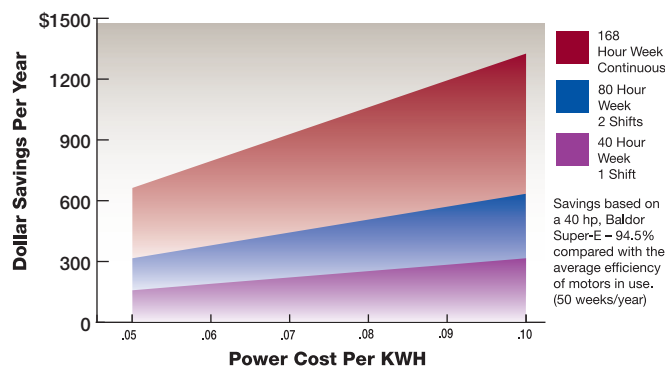
In order to make payback calculations easier for customers, Baldor developed BEST, Baldor Energy Savings Tool. The software helps calculate energy cost and energy savings for motors, as well as payback time frames. A popular feature of BEST is that it allows users to make head-to-head comparisons of up to three motors, giving customers the information to make an informed decision through comparative analysis.

BEST, Baldor Energy Savings Tool is available as a download through Baldor's award-winning Web site (www.baldor.com/support/software_BEST.asp), as well as a stand-alone CD-ROM, available from your Baldor District Office.

Electric Motor Efficiency Ratings



What is Higher Efficiency Worth?



Super-E® Premium Efficiency Motor Construction

The family of Baldor•Reliance Super-E TEFC (Totally-Enclosed Fan-Cooled) motors shares a number of electrical and mechanical features that add up to outstanding value. “EM” motors are general-purpose premium efficient motors. For more severe environmental applications, our “ECP/XEX” Severe Duty motors provide added weather and chemical protection. For extreme applications, where downtime is critical, Baldor “841XL” motors are ideal; these motors exceed IEEE 841-2001 specifications.

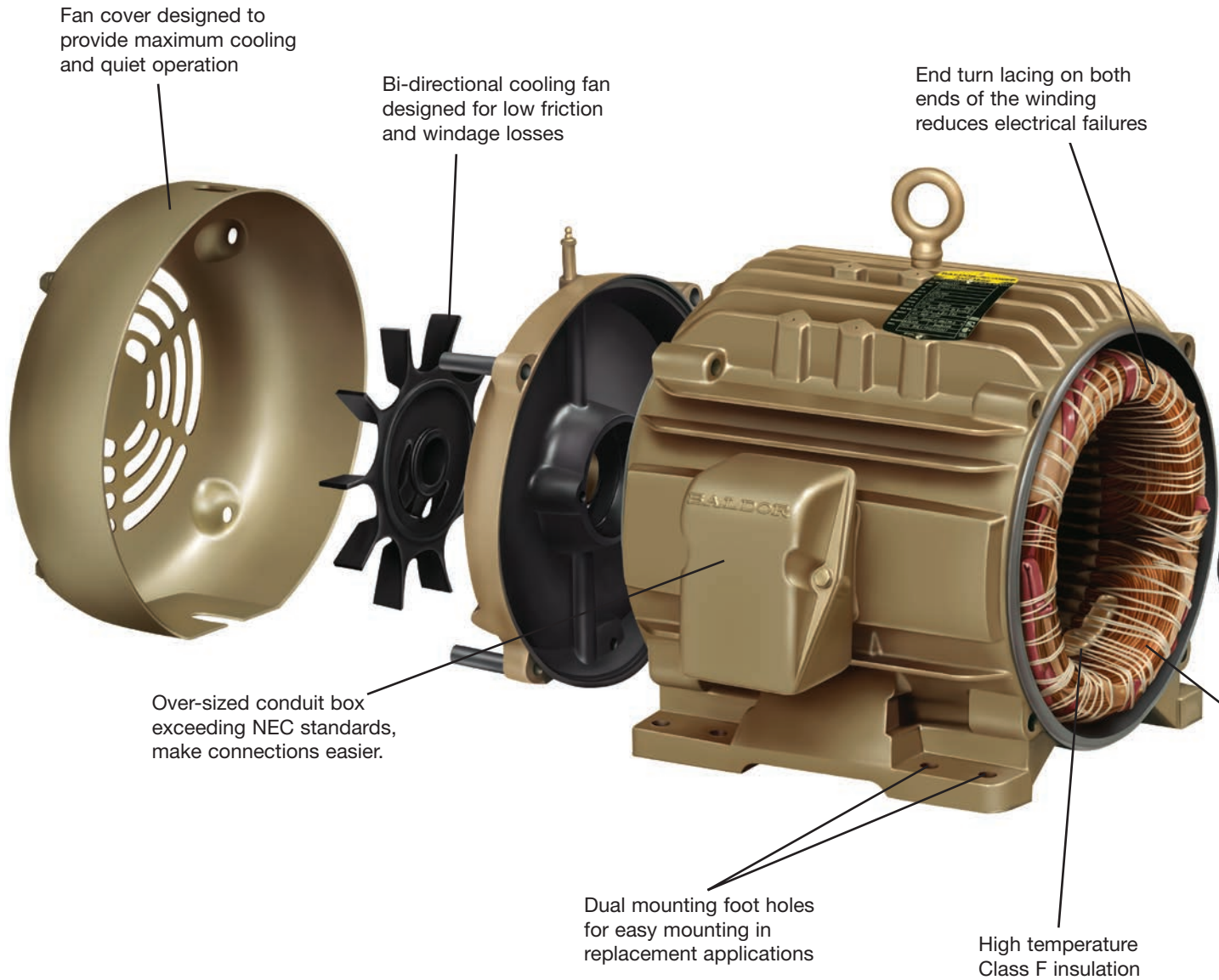
The chart below lists standard features (“S”) in Baldor’s TEFC Premium Efficient motors. Horsepower ranges indicate where certain features are standard in stock products. Additional features optional (“O”) on custom motors, or through Baldor’s Mod-Express.

TEFC Premium Efficiency Motor Family

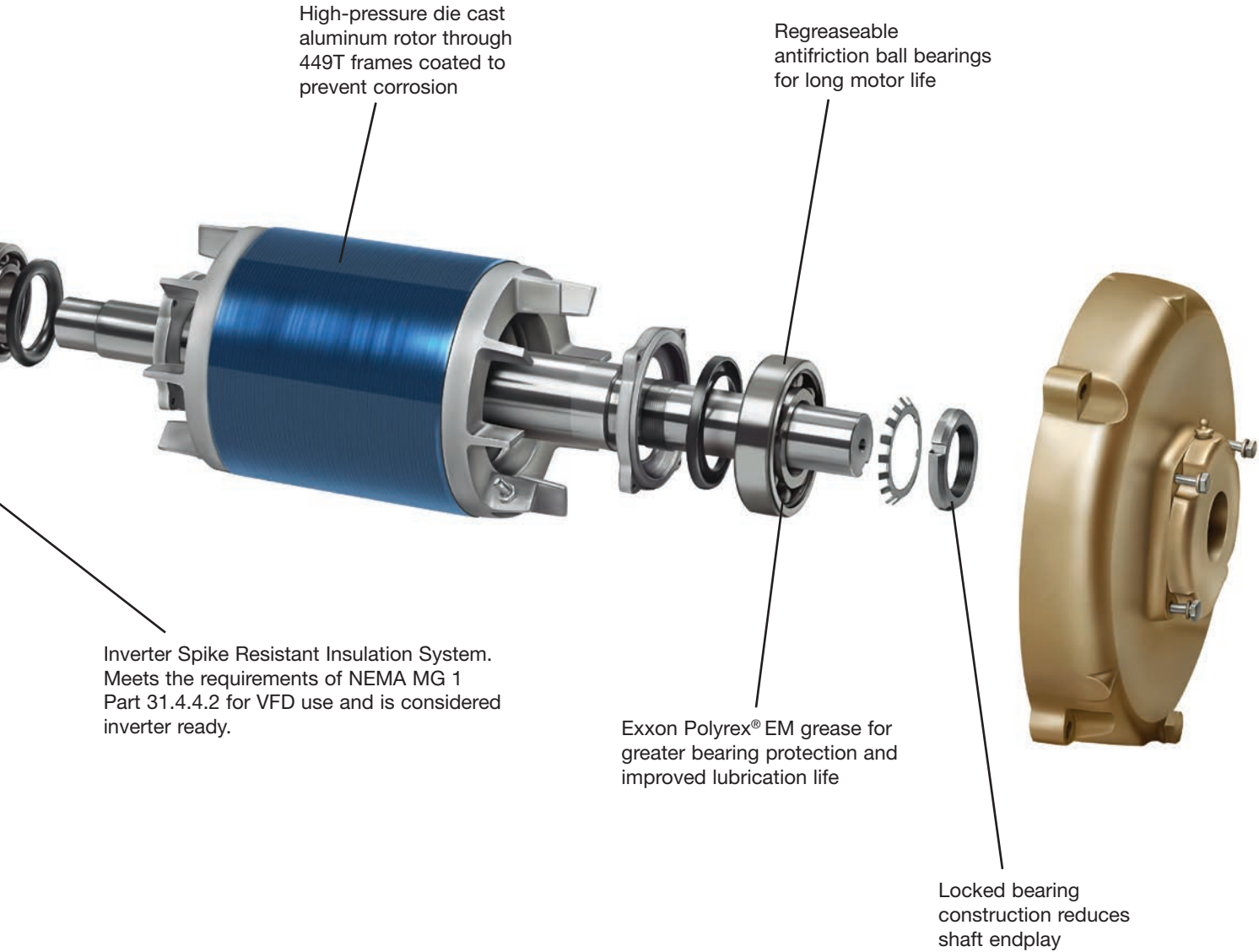
| Electrical Features | EM / XE | ECP/XEX | 841XL |
|--|------------------------------|-------------|-------------|
| Hp Range - Stock | 1-1000 | 1-1000 | 1-250 |
| Class F insulation with Class B rise | S | S | S |
| 1.15 Service factor | S | S | S |
| 200°C Inverter Spike Resistant insulation system | S | S | S |
| Phase insulation | S | S | S |
| Corona inception testing - meets NEMA Part 31.4.4.2 | S | S | S |
| Varnish dip & bake with 100% solids | S | S | S |
| No silicone lead wire | | S | S |
| Documented final motor tests - data shipped with motor | O | O | S |
| Mechanical Features | | | |
| NEMA Frame sizes | 143T - 449T | 143T - 449T | 143T - 449T |
| Steel Band Frame Die cast aluminum endplates, steel fan cover | S 143T - 215T | | |
| Cast iron frame - cast iron endplates & fan cover (steel fan cover standard on EM/XE 140-280T) | O 143T - 286T S 324T - Up | S | S |
| Die cast aluminum conduit box | S thru 360T | | |
| Cast Iron conduit box | S 400T - up | S | S |
| Threaded inlet hole in conduit box | | S | S |
| Neoprene conduit box lid gasket & lead separator gasket | | S | S |
| Seal endplate to frame joints | | S | S |
| V-ring shaft seals - DE & ODE (except some 440 frame) | S 250T - up DE only | S | |
| Inpro/Seal® VBX or VBXX bearing isolators - DE and ODE | | | S |
| Hardware - zinc plated | S | S | S |
| Motor unfiltered vibration at rated voltage and frequency <0.15 in/sec peak velocity | S | S | |
| Motor unfiltered vibration at rated voltage and frequency <0.08 in/sec peak velocity | | | S |
| Test vibration on DE & ODE and document - ship with motor | | | S |
| Low bearing temperature specs (IEEE 841) | | | S |
| Foot flatness to < NEMA tolerances (0.005"/ft.) | | | S |
| Shaft runout < NEMA | | | S |
| Sound power level < 90 dBA | | | S |
| Grease inlet fitting - grease fitting | S | | |
| Grease inlet and grease fitting | | S | S |
| Grease outlet with screw-in plug | S | | |
| Grease outlet with automatic relief fitting | S 250T - up | | |
| Grease outlet and automatic relief fitting | | S | S |
| Non-metallic external cooling fan | S | S | S |
| Casting coated with water base primer | S | | |
| Castings coated with 2-part epoxy primer and epoxy finish coat | | S | S |
| Finish paint with gold enamel | S | | |
| Finish paint with 2-part blue-green epoxy | | S | S |
| ASTM B117-90 96-hour salt spray test compliance | | S | S |
| Laser etched aluminum nameplate with NEMA data | S | | |
| Embossed Stainless steel nameplate with NEMA data | | S | S |
| Stainless steel nameplate with bearing and grease data | | S | S |
| Limited Warranty | 3 year | 3 year | 5 year |

Note: Contact your Baldor District Office for certified data, dimensions and features of a specific motor.

Baldor Super-E®: Premium efficiency inside and out



All Baldor•Reliance Super-E® motors meet or exceed NEMA Premium® efficiency requirements per NEMA MG 1 table 12-12.



TEFC - Super-E® Capabilities

Three Phase

Three Phase - Typical Frame Size / Speed - RPM

| Hp | 3600 | 1800 | 1200 | 900 |
|------|-------------------|-----------------|----------------|---------------|
| 1 | 56 | 56, 143T or 182 | 56 or 145T | 182T |
| 1.5 | 143T | 56, 145T or 184 | 145T or 182T | 184T |
| 2 | 145T | 56, 145T or 184 | 184T | 213T |
| 3 | 145T, 182T or 184 | 182T or 213T | 213T | 215T |
| 5 | 184T | 184T or 215T | 215T | 254T |
| 7.5 | 184T or 213T | 213T | 254T | 256T |
| 10 | 215T | 215T | 256T | 286T |
| 15 | 254T | 254T | 284T | 286T |
| 20 | 256T | 256T | 286T | 324T |
| 25 | 284TS | 284T | 324T | 326T |
| 30 | 286TS | 286T | 326T | 364T |
| 40 | 324TS | 324T | 364T | 365T |
| 50 | 326TS | 326T | 365T | 404T |
| 60 | 365TS | 364T | 404T | 405T |
| 75 | 365TS | 365T | 405T | 444T |
| 100 | 405TS | 405T | 444T | 445T |
| 125 | 444TS | 444T | 445T | 447T |
| 150 | 447TS or 449T* | 445T or 449T* | 447T or 449T* | 449T or 5008* |
| 200 | 447TS or 449T* | 447T or 449T* | 449T or 5008* | 5008* |
| 250 | 449TS or 5008* | 449T or 5008* | 449TY or 5008* | 5010* |
| 300 | 449TS or 5008* | 449TY or 5008* | 449TY or 5010* | 5010* |
| 350 | 449TS or 5008* | 449TY or 5008* | 5010* | 5012* |
| 400 | 449TS or 5010* | 5008* | 5012* | 5012* |
| 450 | 5010* | 5010* | 5012* | 5012* |
| 500 | 5010* | 5010* | 5012* | 5012** |
| 600 | 5010* | 5012* | 5012** | 5800* |
| 700 | 5800* | 5012* | 5800* | 5800* |
| 800 | 5800* | 5012* | 5800* | G500S** |
| 900 | 5800*** | 5012** | G500S** | G500S** |
| 1000 | G500M*** | 5800* | G500S** | G500S** |
| 1250 | G500M*** | 5800* | G500S** | G500M** |
| 1500 | G500M*** | G500M** | G500M** | G500M** |
| 1750 | • | G500M** | G500M** | • |
| 2000 | • | G500M** | • | • |
| 2250 | • | G500M** | • | • |

NOTE: Shaded area denotes product scope of NEMA Premium® efficiency motor program.

- Rating available in other enclosure
- * Medium Voltage (2300 or 4000V)
- ** Medium Voltage (2300 or 4000V), Fabricated Copper Bar Rotor required.
- *** Medium Voltage (2300 or 4000V), Sleeve Bearings and Fabricated Copper Bar Rotor required.

Motors listed with catalog numbers in this brochure are available from stock. Contact Baldor for lead times on non-stock motors.

Performance data is subject to change. Drawings shown are for reference only. Please contact Baldor for current performance data or a detailed drawing on the specific motor you require. Data and drawings may be available from our website at www.baldor.com.

Premium Efficiency in Metric Frames

Baldor Super-E® motors are available in IEC frames 63 through 500 with base, B5 flange or B14 C-face. Motors can be supplied for 50 or 60 Hz operation. Contact your Baldor•Reliance District Office for more information.

TEFC Super-E® Premium Efficient Motors



Baldor•Reliance Super-E TEFC motors meet or exceed NEMA Premium® efficiency in your choice of steel-band or cast iron frame, ideal for tough industrial applications. The TEFC enclosure protects the motor from harsh environments because air does not pass freely through the motor. An external shaft-driven fan circulates air over the frame housing. Class F insulation, a 1.15 Service Factor and Exxon Polyrex®EM grease are some of these motors' standard features. Super-E motors have an insulation system that meets the requirements of NEMA MG1 Part 31.4.4.2 for VFD use and are considered Inverter Ready. TEFC motors are available in single or three phase, rigid base or C-Face (with or without base).



TEFC - Totally Enclosed Fan Cooled Foot Mounted, 230/460, 460 & 575 Volts, Three Phase, 1/2 - 200 Hp

| Hp | kW | RPM | Frame | Catalog No. | Amps @ High V | | Full Load Torque Lb. Ft. | Efficiency % | | | Power Factor % | | | Bearings | | Volt Code | "C" Dim. | Conn. Diag. No. | Notes |
|--------------------------------|------|------|-------|-------------|---------------|--------------|--------------------------|--------------|------|-----------|----------------|-----|-----------|----------|------|-----------|----------|-----------------|-------|
| | | | | | Full Load | Locked Rotor | | 1/2 | 3/4 | Full Load | 1/2 | 3/4 | Full Load | DE | ODE | | | | |
| 230/460 & 460 Volts | | | | | | | | | | | | | | | | | | | |
| 1/2 | 0.37 | 1735 | 56 | EM3538 | 0.8 | 5.6 | 1.5 | 80.3 | 82.5 | 82.5 | 52 | 64 | 74 | 6205 | 6203 | E1 | 12.23 | CD0005 | - |
| 1 | 0.75 | 3450 | 56 | EM3545 | 1.4 | 9 | 1.5 | 67.8 | 73.1 | 77 | 74 | 2 | 87 | 6205 | 6203 | F | 12.25 | CD0005 | - |
| 1 | 0.75 | 1760 | 56 | EM3546 | 1.5 | 12.1 | 3 | 82.1 | 84.8 | 85.5 | 49 | 62 | 71 | 6205 | 6203 | E | 12.23 | CD0005 | - |
| 1 | 0.75 | 1760 | 143T | EM3546T | 1.5 | 12.1 | 3 | 82.1 | 84.8 | 85.5 | 49 | 62 | 71 | 6205 | 6203 | E | 12.31 | CD0005 | - |
| 1 | 0.75 | 1760 | 143T | EM3581T | 1.5 | 12.1 | 3 | 82.1 | 84.8 | 85.5 | 49 | 62 | 71 | 6205 | 6203 | E | 12.53 | CD0005 | - |
| 1 | 0.75 | 1155 | 56 | EM3556 | 1.8 | 10.8 | 4.5 | 79.4 | 82.3 | 82.5 | 43 | 55 | 64 | 6205 | 6203 | E | 13.23 | CD0005 | - |
| 1 | 0.75 | 1155 | 145T | EM3556T | 1.8 | 10.8 | 4.5 | 79.4 | 82.3 | 82.5 | 43 | 55 | 64 | 6205 | 6203 | E | 13.31 | CD0005 | - |
| 1 | 0.75 | 1155 | 145T | EM3582T | 1.7 | 10.2 | 4.5 | 81.3 | 83.5 | 82.5 | 44 | 56 | 65 | 6205 | 6203 | E | 12.53 | CD0005 | - |
| 1 1/2 | 1.1 | 3500 | 56 | EM3550 | 1.9 | 17.9 | 2.2 | 82.2 | 84.4 | 84 | 67 | 79 | 85 | 6205 | 6203 | E | 12.25 | CD0005 | - |
| 1 1/2 | 1.1 | 3500 | 143T | EM3550T | 1.9 | 17.9 | 2.2 | 82.2 | 84.4 | 84 | 67 | 79 | 85 | 6205 | 6203 | E | 12.29 | CD0005 | - |
| 1 1/2 | 1.1 | 3500 | 143T | EM3583T | 1.9 | 17.9 | 2.2 | 82 | 84.6 | 84 | 67 | 79 | 85 | 6205 | 6203 | E | 12.53 | CD0005 | - |
| 1 1/2 | 1.1 | 1760 | 56 | EM3554 | 2.2 | 13.3 | 4.5 | 84.5 | 86.8 | 86.5 | 51 | 65 | 73 | 6205 | 6203 | E | 13.23 | CD0005 | - |
| 1 1/2 | 1.1 | 1760 | 145T | EM3554T | 2.2 | 18.3 | 4.5 | 84.5 | 86.8 | 86.5 | 51 | 65 | 73 | 6205 | 6203 | E | 13.31 | CD0005 | - |
| 1 1/2 | 1.1 | 1765 | 145T | EM3584T | 2.3 | 20.7 | 4.5 | 83.8 | 86.4 | 86.5 | 49 | 62 | 71 | 6205 | 6203 | E | 12.53 | CD0005 | - |
| 1 1/2 | 1.1 | 1170 | 182T | EM3607T | 2.6 | 14.7 | 6.8 | 86 | 88.3 | 87.5 | 42 | 53 | 62 | 6206 | 6205 | E | 16.55 | CD0005 | - |
| 1 1/2 | 1.1 | 1170 | 182T | EM3667T | 2.5 | 16.2 | 6.8 | 84.8 | 86.9 | 87.5 | 44 | 56 | 64 | 6206 | 6205 | E | 15.24 | CD0005 | - |
| 2 | 1.5 | 3490 | 56 | EM3555 | 2.5 | 25.9 | 3 | 83.5 | 85.9 | 85.5 | 75 | 84 | 88 | 6205 | 6203 | E | 13.25 | CD0005 | - |
| 2 | 1.5 | 3490 | 145T | EM3555T | 2.5 | 25.9 | 3 | 83.5 | 85.9 | 85.5 | 75 | 84 | 88 | 6205 | 6203 | E | 13.31 | CD0005 | - |
| 2 | 1.5 | 3490 | 145T | EM3586T | 2.5 | 25.9 | 3 | 83.5 | 85.9 | 85.5 | 75 | 84 | 88 | 6205 | 6203 | E | 12.55 | CD0005 | - |
| 2 | 1.5 | 1755 | 56 | EM3558 | 2.9 | 24.3 | 6 | 84.2 | 86.4 | 86.5 | 51 | 64 | 73 | 6205 | 6203 | E | 14.1 | CD0005 | - |
| 2 | 1.5 | 1755 | 145T | EM3558T | 2.9 | 24.3 | 6 | 84.2 | 86.4 | 86.5 | 51 | 64 | 73 | 6205 | 6203 | E | 14.19 | CD0005 | - |
| 2 | 1.5 | 1750 | 145T | EM3587T | 2.9 | 25 | 6 | 85.1 | 87.1 | 86.5 | 53 | 66 | 75 | 6205 | 6203 | E | 12.53 | CD0005 | - |
| 2 | 1.5 | 1170 | 184T | EM3614T | 3.5 | 20.9 | 9 | 86.7 | 88.6 | 88.5 | 41 | 53 | 60 | 6206 | 6205 | E | 18.05 | CD0005 | - |
| 2 | 1.5 | 1165 | 184T | EM3664T | 3.2 | 20.9 | 9 | 86.9 | 88.5 | 88.5 | 48 | 60 | 68 | 6206 | 6205 | F | 15.24 | CD0005 | - |
| 3 | 2.2 | 3450 | 145T | EM3559T | 3.6 | 33 | 4.5 | 87.9 | 88.2 | 86.5 | 81 | 88 | 92 | 6205 | 6203 | E | 14.19 | CD0005 | - |
| 3 | 2.2 | 3450 | 182T | EM3610T | 3.7 | 33.3 | 4.7 | 86.2 | 87.3 | 86.5 | 82 | 88 | 91 | 6206 | 6205 | E1 | 15.18 | CD0005 | - |
| 3 | 2.2 | 3460 | 182T | EM3660T | 3.8 | 30.9 | 4.7 | 86.5 | 87.4 | 86.5 | 76 | 84 | 88 | 6206 | 6205 | E | 15.24 | CD0005 | - |
| 3 | 2.2 | 1760 | 182T | EM3611T | 4.2 | 32 | 8.9 | 87.8 | 89.5 | 89.5 | 54 | 68 | 75 | 6206 | 6205 | E | 16.55 | CD0005 | - |
| 3 | 2.2 | 1755 | 182T | EM3661T | 4.1 | 29.8 | 9.1 | 88.9 | 90.1 | 89.5 | 58 | 70 | 77 | 6206 | 6205 | E | 15.24 | CD0005 | - |
| 3 | 2.2 | 1160 | 213T | EM3704T | 4.6 | 34.4 | 13.4 | 87.7 | 89.4 | 89.5 | 49 | 61 | 68 | 6307 | 6206 | E1 | 19.02 | CD0005 | - |
| 3 | 2.2 | 1165 | 213T | EM3764T | 4.5 | 33.2 | 13.6 | 88.1 | 89.5 | 89.5 | 53 | 64 | 71 | 6307 | 6206 | E | 18.45 | CD0005 | - |
| 5 | 3.7 | 3450 | 184T | EM3613T | 5.9 | 57.2 | 7.7 | 88.9 | 89.4 | 88.5 | 81 | 88 | 91 | 6206 | 6205 | E1 | 16.55 | CD0005 | - |
| 5 | 3.7 | 3475 | 184T | EM3663T | 6.3 | 51.7 | 7.5 | 87.8 | 89 | 88.5 | 64 | 77 | 84 | 6206 | 6205 | E | 15.24 | CD0005 | - |
| 5 | 3.7 | 1750 | 184T | EM3615T | 6.7 | 49.1 | 14.9 | 89.7 | 90.3 | 89.5 | 60 | 72 | 78 | 6206 | 6205 | E | 18.05 | CD0005 | - |
| 5 | 3.7 | 1750 | 184T | EM3665T | 6.6 | 45.5 | 15 | 89.8 | 90.3 | 89.5 | 63 | 73 | 79 | 6206 | 6205 | E | 15.24 | CD0005 | - |
| 5 | 3.7 | 1160 | 215T | EM3708T | 7.3 | 51.6 | 22.7 | 89.8 | 90.4 | 89.5 | 55 | 66 | 73 | 6307 | 6206 | E | 19.77 | CD0005 | - |
| 5 | 3.7 | 1160 | 215T | EM3768T | 7.4 | 50.6 | 22.5 | 89.9 | 90.3 | 89.5 | 54 | 65 | 71 | 6307 | 6206 | E | 18.45 | CD0005 | - |

NOTE: Volt Code: E = 208-230/460V, 60Hz; E1 = 230/460V, 60Hz, usable at 208V; F = 230/460V, 60 Hz
See page 68 for Layout drawing. See page 93 for Connection Diagrams.
Efficiencies shown are nominal. Data subject to change without notice. Contact Baldor for certified data.

Shaded ratings are cast iron frames.

TEFC Super-E® Premium Efficient Motors



TEFC - Totally Enclosed Fan Cooled

Foot Mounted, 230/460, 460 & 575 Volts, Three Phase, 1/2 - 200 Hp

| Hp | kW | RPM | Frame | Catalog No. | Amps @ High V | | Full Load Torque Lb. Ft. | Efficiency % | | | Power Factor % | | | Bearings | | Volt Code | "C" Dim. | Conn. Diag. No. | Notes |
|--|-----|------|-------|-------------|---------------|--------------|--------------------------|--------------|------|-----------|----------------|-----|-----------|----------|------|-----------|----------|-----------------|-------|
| | | | | | Full Load | Locked Rotor | | 1/2 | 3/4 | Full Load | 1/2 | 3/4 | Full Load | DE | ODE | | | | |
| 230/460 & 460 Volts (continued) | | | | | | | | | | | | | | | | | | | |
| 7.5 | 5.6 | 3450 | 184T | EM3616T | 8.4 | 91 | 11.4 | 90.6 | 90.7 | 89.5 | 85 | 90 | 93 | 6206 | 6205 | E | 18.05 | CD0005 | - |
| 7.5 | 5.6 | 3525 | 213T | EM3709T | 9 | 83.4 | 11.2 | 92.1 | 92.9 | 91 | 76 | 84 | 86 | 6307 | 6206 | E | 17.89 | CD0005 | - |
| 7.5 | 5.6 | 3525 | 213T | EM3769T | 8.6 | 75 | 11.2 | 90 | 91.4 | 91 | 79 | 87 | 90 | 6307 | 6206 | E1 | 18.45 | CD0005 | - |
| 7.5 | 5.6 | 1770 | 213T | EM3710T | 9.4 | 70.1 | 22.4 | 92.2 | 92.7 | 91.7 | 63 | 75 | 81 | 6307 | 6206 | E1 | 19.02 | CD0005 | - |
| 7.5 | 5.6 | 1770 | 213T | EM3770T | 9.5 | 68 | 22.1 | 91.6 | 92.3 | 91.7 | 65 | 76 | 81 | 6307 | 6206 | E1 | 18.45 | CD0005 | - |
| 7.5 | 5.6 | 1180 | 254T | EM2276T | 10.7 | 67 | 32.4 | 89.3 | 90.7 | 91 | 53 | 64 | 70 | 6309 | 6208 | E1 | 23.16 | CD0005 | - |
| 10 | 7.5 | 3490 | 215T | EM3711T | 11.8 | 78.5 | 15 | 91 | 91.3 | 90.2 | 74 | 84 | 87 | 6307 | 6206 | E | 17.89 | CD0005 | - |
| 10 | 7.5 | 3500 | 215T | EM3771T | 11.8 | 88.5 | 14.9 | 93 | 93.2 | 90.2 | 79 | 88 | 90 | 6307 | 6206 | E1 | 18.45 | CD0005 | - |
| 10 | 7.5 | 1770 | 215T | EM3714T | 12 | 103 | 29.5 | 92.1 | 92.4 | 91.7 | 66 | 79 | 85 | 6307 | 6206 | E | 20.52 | CD0005 | - |
| 10 | 7.5 | 1760 | 215T | EM3774T | 12.2 | 81 | 29.8 | 92.5 | 92.9 | 91.7 | 71 | 80 | 83 | 6307 | 6206 | E1 | 18.45 | CD0005 | - |
| 10 | 7.5 | 1180 | 256T | EM2332T | 14.4 | 95.1 | 44.4 | 89.9 | 91.3 | 91 | 55 | 65 | 71 | 6309 | 6208 | E1 | 23.16 | CD0180 | - |
| 15 | 11 | 3500 | 215T | EM3713T | 17 | 161 | 22.5 | 91.5 | 91.8 | 91 | 87 | 92 | 93 | 6307 | 6206 | E | 20.52 | CD0005 | - |
| 15 | 11 | 3520 | 254T | EM2394T | 17.5 | 110 | 22.1 | 91 | 91.6 | 91 | 77 | 85 | 87 | 6309 | 6208 | E1 | 23.16 | CD0180 | - |
| 15 | 11 | 1765 | 254T | EM2333T | 18.5 | 122.9 | 44.6 | 91.9 | 92.6 | 92.4 | 66 | 77 | 82 | 6309 | 6208 | E1 | 23.16 | CD0005 | - |
| 15 | 11 | 1175 | 284T | EM4100T | 21 | 125 | 66.5 | 90.6 | 91.8 | 91.7 | 54 | 66 | 73 | 6311 | 6309 | E1 | 27.76 | CD0180 | - |
| 20 | 15 | 3520 | 256T | EM4106T | 23 | 161 | 29.6 | 92.2 | 92.4 | 91 | 78 | 86 | 89 | 6309 | 6208 | E1 | 23.16 | CD0005 | - |
| 20 | 15 | 1765 | 256T | EM2334T-12 | 23 | 168 | 59 | 92.9 | 93.2 | 93 | 74 | 80 | 85 | 6309 | 6208 | E1 | 23.16 | CD0104 | - |
| 20 | 15 | 1765 | 256T | EM2334T | 24 | 175 | 59 | 92.8 | 93.1 | 93 | 69 | 80 | 84 | 6309 | 6208 | E1 | 23.16 | CD0005 | - |
| 20 | 15 | 1180 | 286T | EM4102T | 27 | 165 | 89.4 | 91.1 | 91.9 | 91.7 | 60 | 71 | 77 | 6311 | 6309 | E | 27.76 | CD0180 | - |
| 25 | 19 | 3520 | 256T | EM4118T | 27 | 206 | 37.2 | 92.2 | 92.8 | 91.7 | 87 | 91 | 93 | 6309 | 6208 | F | 23.28 | CD0180 | - |
| 25 | 19 | 3525 | 284TS | EM4107T | 29 | 249 | 37 | 89.2 | 91.2 | 91.7 | 75 | 83 | 90 | 6311 | 6208 | E1 | 24.7 | CD0005 | - |
| 25 | 19 | 1770 | 284T | EM4103T | 30 | 186 | 74.2 | 92.3 | 93.5 | 93.6 | 73 | 81 | 85 | 6311 | 6309 | E1 | 27.76 | CD0005 | - |
| 25 | 19 | 1770 | 284T | EM4103T-12 | 30 | 186 | 74.2 | 92.3 | 93.5 | 93.6 | 73 | 81 | 85 | 6311 | 6309 | E1 | 27.56 | CD0104 | 25 |
| 25 | 19 | 1180 | 324T | EM4111T | 32 | 220 | 112 | 92.6 | 93.3 | 93 | 63 | 73 | 79 | 6312 | 6309 | E1 | 30.39 | CD0180 | - |
| 30 | 22 | 3520 | 286TS | EM4108T | 34 | 288 | 44.5 | 90.8 | 91.9 | 91.7 | 81 | 87 | 90 | 6311 | 6208 | E1 | 24.7 | CD0180 | - |
| 30 | 22 | 1760 | 286T | EM4104T | 38 | 270 | 88.7 | 92.3 | 93.5 | 93.6 | 63 | 73 | 80 | 6311 | 6309 | E1 | 27.76 | CD0180 | - |
| 30 | 22 | 1760 | 286T | EM4104T-12 | 36 | 238 | 88.8 | 92.5 | 93.5 | 93.6 | 72 | 80 | 85 | 6311 | 6309 | F | 27.76 | CD0104 | 25 |
| 30 | 22 | 1180 | 326T | EM4117T | 39 | 243 | 133 | 92.5 | 93.2 | 93 | 62 | 73 | 78 | 6312 | 6311 | E1 | 30.28 | CD0005 | - |
| 40 | 30 | 3530 | 324TS | EM4109T | 46 | 305 | 59.2 | 91.6 | 92.6 | 92.4 | 79 | 86 | 88 | 6312 | 6311 | E1 | 28.78 | CD0180 | - |
| 40 | 30 | 1775 | 324T | EM4110T | 48 | 338 | 118 | 93.5 | 94.2 | 94.1 | 69 | 78 | 83 | 6312 | 6311 | E1 | 30.28 | CD0180 | - |
| 40 | 30 | 1770 | 324T | EM4110T-12 | 48 | 349 | 118 | 93.7 | 94.5 | 94.1 | 69 | 79 | 83 | 6312 | 6311 | E1 | 30.28 | CD0104 | 25 |
| 40 | 30 | 1190 | 364T | EM4308T | 49.4 | 290 | 177 | 93.6 | 94.3 | 94.1 | 69 | 77 | 81 | 6313 | 6313 | E1 | 33.44 | 416820-2 | - |
| 50 | 37 | 3540 | 326TS | EM4114T | 56 | 408 | 74.4 | 93.8 | 94.2 | 93 | 82 | 88 | 90 | 6312 | 6311 | E | 28.9 | CD0180 | - |
| 50 | 37 | 1775 | 326T | EM4115T | 58 | 397 | 147 | 94.3 | 94.8 | 94.5 | 74 | 83 | 86 | 6312 | 6311 | E | 30.28 | CD0180 | - |
| 50 | 37 | 1775 | 326T | EM4115T-12 | 58 | 397 | 147 | 94.3 | 94.8 | 94.5 | 74 | 83 | 86 | 6312 | 6311 | F | 30.28 | CD0104 | 25 |
| 50 | 37 | 1775 | 326TS | EM4115TS | 58 | 397 | 147 | 94.3 | 94.8 | 94.5 | 74 | 83 | 86 | 6312 | 6311 | F | 28.78 | CD0180 | - |
| 50 | 37 | 1185 | 365T | EM4312T | 61.7 | 345 | 221 | 93.9 | 94.4 | 94.1 | 70 | 78 | 81 | 6313 | 6313 | E1 | 33.44 | 416820-2 | - |
| 60 | 45 | 3560 | 364TS | EM4310T | 65.1 | 398 | 88.5 | 95.3 | 95.5 | 95 | 88 | 91 | 91 | 6313 | 6313 | E1 | 31.31 | 416820-2 | - |
| 60 | 45 | 1780 | 364T | EM4314T | 68 | 430 | 177 | 95.2 | 95.3 | 95 | 79 | 85 | 87 | 6313 | 6313 | E1 | 33.44 | 416820-2 | - |
| 60 | 45 | 1780 | 364T | EM4314T-12 | 68 | 430 | 177 | 95.2 | 95.3 | 95 | 79 | 85 | 87 | 6313 | 6313 | F | 33.44 | 416820-2 | 25 |
| 60 | 45 | 1780 | 364TS | EM4314TS | 68 | 430 | 177 | 95.2 | 95.3 | 95 | 79 | 85 | 87 | 6313 | 6313 | F | 31.31 | 416820-2 | - |
| 60 | 45 | 1185 | 404T | EM4403T | 69 | 425 | 265 | 94.9 | 95.2 | 95 | 79 | 84 | 86 | 6316 | 6316 | E1 | 38.06 | 416820-2 | - |
| 75 | 56 | 3555 | 365TS | EM4313T | 80.7 | 494 | 111 | 95.1 | 95.4 | 95 | 91 | 92 | 92 | 6313 | 6313 | E1 | 31.31 | 416820-2 | - |
| 75 | 56 | 1780 | 365T | EM4316T | 84.9 | 542 | 221 | 95.7 | 95.8 | 95.4 | 77 | 84 | 86 | 6313 | 6313 | E1 | 33.44 | 416820-2 | - |
| 75 | 56 | 1780 | 365T | EM4316T-12 | 85.9 | 542 | 221 | 95.7 | 95.8 | 95.4 | 77 | 84 | 86 | 6313 | 6313 | F | 33.44 | 416820-2 | 25 |
| 75 | 56 | 1780 | 365TS | EM4316TS | 85.9 | 542 | 221 | 95.7 | 95.8 | 95.4 | 77 | 84 | 86 | 6313 | 6313 | F | 31.31 | 416820-2 | - |
| 75 | 56 | 1185 | 405T | EM4404T | 86.9 | 541 | 332 | 95 | 95.3 | 95 | 73 | 82 | 85 | 6316 | 6316 | E1 | 38.06 | 416820-2 | - |
| 100 | 75 | 3565 | 405TS | EM4402T-4 | 110 | 695 | 147 | 94.6 | 95.1 | 95 | 86 | 89 | 90 | 6313 | 6313 | G | 35.31 | 416820-8 | 25 |
| 100 | 75 | 1785 | 405T | EM4400T | 112 | 725 | 295 | 95.4 | 95.7 | 95.4 | 83 | 87 | 87 | 6316 | 6316 | F | 37.22 | 416820-2 | - |
| 100 | 75 | 1785 | 405T | EM4400T-12 | 112 | 725 | 295 | 95.4 | 95.7 | 95.4 | 83 | 87 | 87 | 6316 | 6316 | F | 38.31 | 416820-2 | 25 |
| 100 | 75 | 1785 | 405TS | EM4400TS | 112 | 725 | 295 | 95.4 | 95.7 | 95.4 | 83 | 87 | 87 | 6316 | 6316 | F | 35.31 | 416820-2 | - |
| 100 | 75 | 1190 | 444T | EM4409T-4 | 119 | 723 | 442 | 95 | 95.3 | 95 | 68 | 78 | 83 | 6318 | 6318 | G | 44.75 | 416820-36 | - |
| 100 | 75 | 1190 | 444T | EM4909T-4 | 119 | 723 | 442 | 95 | 95.3 | 95 | 68 | 78 | 83 | 6318 | 6318 | G | 44.75 | 416820-36 | 99 |

NOTE: Volt Code: E = 208-230/460V, 60Hz; E1 = 230/460V, 60Hz, usable at 208V; F = 230/460V, 60 Hz; G=460V, 60 Hz

25 = Wye Start Delta Run

99 = Has F3 lead outlet hole and an arm mounted conduit box for easy F1 or F2 lead location.

See page 68 for Layout drawing. See page 93 for Connection Diagrams.

Efficiencies shown are nominal. Data subject to change without notice. Contact Baldor for certified data.

Shaded ratings are cast iron frames.

TEFC Super-E® Premium Efficient Motors



TEFC - Totally Enclosed Fan Cooled

Foot Mounted, 230/460, 460 & 575 Volts, Three Phase, 1/2 - 200 Hp

| Hp | kW | RPM | Frame | Catalog No. | Amps @ High V | | Full Load Torque Lb. Ft. | Efficiency % | | | Power Factor % | | | Bearings | | Volt Code | "C" Dim. | Conn. Diag. No. | Notes |
|--|------|------|-------|-------------|---------------|--------------|--------------------------|--------------|------|-----------|----------------|-----|-----------|----------|------|-----------|----------|-----------------|-------|
| | | | | | Full Load | Locked Rotor | | 1/2 | 3/4 | Full Load | 1/2 | 3/4 | Full Load | DE | ODE | | | | |
| 230/460 & 460 Volts (continued) | | | | | | | | | | | | | | | | | | | |
| 125 | 93 | 3570 | 444TS | EM4412T-4 | 137 | 873 | 184 | 94.9 | 95.5 | 95 | 81 | 87 | 89 | 6313 | 6313 | G | 40.98 | 416820-36 | - |
| 125 | 93 | 3570 | 444TS | EM4912T-4 | 137 | 873 | 184 | 94.9 | 95.5 | 95 | 81 | 87 | 89 | 6313 | 6313 | G | 40.98 | 416820-36 | 99 |
| 125 | 93 | 1785 | 444T | EM4410T-4 | 144 | 892 | 368 | 95.5 | 95.8 | 95.4 | 73 | 82 | 85 | 6318 | 6318 | G | 44.75 | 416820-36 | - |
| 125 | 93 | 1785 | 444T | EM4410T-4E | 139 | 892 | 368 | 95.5 | 95.8 | 95.8 | 73 | 82 | 88 | 6318 | 6318 | G | 44.62 | 416820-36 | 56 |
| 125 | 93 | 1785 | 444TS | EM4410TS-4 | 144 | 892 | 368 | 95.5 | 95.8 | 95.4 | 73 | 82 | 85 | 6318 | 6318 | G | 40.98 | 416820-36 | - |
| 125 | 93 | 1785 | 444T | EM4910T-4 | 144 | 892 | 368 | 95.5 | 95.8 | 95.4 | 73 | 82 | 85 | 6318 | 6318 | G | 44.75 | 416820-36 | 99 |
| 125 | 93 | 1785 | 444TS | EM4910TS-4 | 144 | 892 | 368 | 95.5 | 95.8 | 95.4 | 73 | 82 | 85 | 6318 | 6318 | G | 40.98 | 416820-36 | 99 |
| 125 | 93 | 1188 | 445T | EM4411T-4 | 146 | 966 | 552 | 95 | 95.4 | 95 | 70 | 80 | 84 | 6318 | 6318 | G | 44.75 | 416820-8 | 25 |
| 125 | 93 | 1188 | 445T | EM4911T-4 | 146 | 966 | 552 | 95 | 95.4 | 95 | 70 | 80 | 84 | 6318 | 6318 | G | 44.75 | 416820-8 | 25,99 |
| 150 | 112 | 3570 | 445TS | EM4413T-4 | 164 | 1081 | 221 | 94.7 | 95.3 | 95 | 82 | 88 | 90 | 6313 | 6313 | G | 40.98 | 416820-36 | - |
| 150 | 112 | 3570 | 445TS | EM4913T-4 | 164 | 1081 | 221 | 94.7 | 95.3 | 95 | 82 | 88 | 90 | 6313 | 6313 | G | 40.98 | 416820-36 | 99 |
| 150 | 112 | 1785 | 445T | EM4406T-4 | 169 | 1041 | 442 | 96 | 96.1 | 95.8 | 76 | 83 | 86 | 6318 | 6318 | G | 44.75 | 416820-8 | 25 |
| 150 | 112 | 1785 | 445T | EM4406T-4E | 165 | 1085 | 441 | 96.4 | 96.6 | 96.2 | 83 | 88 | 89 | 6318 | 6318 | G | 44.62 | 416820-36 | 56 |
| 150 | 112 | 1785 | 445TS | EM4406TS-4 | 169 | 1041 | 442 | 96 | 96.1 | 95.8 | 76 | 83 | 86 | 6318 | 6318 | G | 40.98 | 416820-36 | - |
| 150 | 112 | 1785 | 445T | EM4906T-4 | 169 | 1041 | 442 | 96 | 96.1 | 95.8 | 76 | 83 | 86 | 6318 | 6318 | G | 44.75 | 416820-8 | 25,99 |
| 150 | 112 | 1785 | 445TS | EM4906TS-4 | 169 | 1041 | 442 | 96 | 96.1 | 95.8 | 76 | 83 | 86 | 6318 | 6318 | G | 40.98 | 416820-36 | 99 |
| 150 | 112 | 1190 | 447T | EM44156T-4 | 170 | 1025 | 663 | 96.3 | 96.2 | 95.8 | 77 | 84 | 86 | 6318 | 6318 | G | 48.24 | 416820-8 | 25 |
| 150 | 112 | 1190 | 447T | EM49156T-4 | 170 | 1025 | 663 | 96.3 | 96.2 | 95.8 | 77 | 84 | 86 | 6318 | 6318 | G | 48.24 | 416820-8 | 25,99 |
| 200 | 149 | 3570 | 447TS | EM4416T-4 | 213 | 1426 | 294 | 96 | 96.3 | 95.4 | 84 | 89 | 91 | 6313 | 6313 | G | 44.48 | 416820-36 | - |
| 200 | 149 | 3570 | 447TS | EM4916T-4 | 213 | 1426 | 294 | 96 | 96.3 | 95.4 | 84 | 89 | 91 | 6313 | 6313 | G | 44.48 | 416820-36 | 99 |
| 200 | 149 | 1785 | 447T | EM4407T-4 | 223 | 1421 | 588 | 96.5 | 96.5 | 96.2 | 77 | 85 | 87 | 6318 | 6318 | G | 48.24 | 416820-36 | - |
| 200 | 149 | 1785 | 447T | EM4407T-4E | 221 | 1450 | 589 | 96 | 96.3 | 96.2 | 84 | 88 | 88 | 6318 | 6318 | G | 48.4 | 416820-36 | 56 |
| 200 | 149 | 1785 | 447TS | EM4407TS-4 | 223 | 1421 | 588 | 96.5 | 96.5 | 96.2 | 77 | 85 | 87 | 6318 | 6318 | G | 44.48 | 416820-36 | - |
| 200 | 149 | 1785 | 447T | EM4907T-4 | 223 | 1421 | 588 | 96.5 | 96.5 | 96.2 | 77 | 85 | 87 | 6318 | 6318 | G | 48.24 | 416820-36 | 99 |
| 200 | 149 | 1785 | 447TS | EM4907TS-4 | 223 | 1421 | 588 | 96.5 | 96.5 | 96.2 | 77 | 85 | 87 | 6318 | 6318 | G | 44.48 | 416820-36 | 99 |
| 200 | 149 | 1785 | 447T | EM4407TR-4 | 223 | 1421 | 588 | 96.5 | 96.5 | 96.2 | 77 | 85 | 87 | 3222 | 6318 | G | 48.24 | 416820-36 | 5 |
| 200 | 149 | 1785 | 447T | EM4907TR-4 | 223 | 1421 | 588 | 96.5 | 96.5 | 96.2 | 77 | 85 | 87 | 3222 | 6318 | G | 48.24 | 416820-36 | 5,99 |
| 200 | 149 | 1190 | 449T | EM44206T-4 | 225 | 1404 | 883 | 96.1 | 96.2 | 95.8 | 78 | 84 | 87 | 6318 | 6318 | G | 53.24 | 416820-36 | - |
| 200 | 149 | 1190 | 449T | EM49206T-4 | 225 | 1404 | 883 | 96.1 | 96.2 | 95.8 | 78 | 84 | 87 | 6318 | 6318 | G | 53.24 | 416820-36 | 99 |
| 575 Volts | | | | | | | | | | | | | | | | | | | |
| 1 | 0.75 | 1760 | 143T | EM3546T-5 | 1.2 | 9.7 | 3 | 81.9 | 84.8 | 85.5 | 49 | 62 | 71 | 6205 | 6203 | H | 12.31 | CD0006 | - |
| 1 | 0.75 | 1155 | 145T | EM3556T-5 | 1.4 | 8.6 | 4.5 | 79.2 | 82 | 82.5 | 43 | 56 | 64 | 6205 | 6203 | H | 13.31 | CD0006 | - |
| 1 1/2 | 1.1 | 3450 | 143T | EM3550T-5 | 1.6 | 15.8 | 2.3 | 81.3 | 84.3 | 84 | 68 | 78 | 83 | 6205 | 6203 | H | 13.31 | CD0006 | - |
| 1 1/2 | 1.1 | 1760 | 145T | EM3554T-5 | 1.8 | 14.6 | 4.5 | 84.5 | 87 | 86.5 | 51 | 65 | 74 | 6205 | 6203 | H | 13.31 | CD0006 | - |
| 1 1/2 | 1.1 | 1170 | 182T | EM3607T-5 | 2.1 | 11.6 | 6.8 | 86.1 | 88.5 | 87.5 | 42 | 53 | 62 | 6206 | 6205 | H | 16.55 | CD0006 | - |
| 2 | 1.5 | 3450 | 145T | EM3555T-5 | 2 | 24 | 3 | 83.8 | 86.2 | 85.5 | 70 | 80 | 85 | 6205 | 6203 | H | 14.19 | CD0006 | - |
| 2 | 1.5 | 1755 | 145T | EM3558T-5 | 2.4 | 19.6 | 6 | 83.8 | 86.4 | 86.5 | 50 | 64 | 73 | 6205 | 6203 | H | 14.19 | CD0006 | - |
| 2 | 1.5 | 1170 | 184T | EM3614T-5 | 2.8 | 16.5 | 9 | 86.8 | 88.7 | 88.5 | 41 | 54 | 61 | 6206 | 6205 | H | 18.05 | CD0006 | - |
| 3 | 2.2 | 3475 | 145T | EM3559T-5 | 2.8 | 30 | 4.5 | 86 | 87 | 86.5 | 82 | 89 | 91 | 6205 | 6203 | H | 15.56 | CD0006 | - |
| 3 | 2.2 | 1760 | 182T | EM3611T-5 | 3.3 | 25.9 | 8.9 | 87.7 | 89.5 | 89.5 | 54 | 67 | 75 | 6206 | 6205 | H | 16.55 | CD0006 | - |
| 3 | 2.2 | 1755 | 182T | EM3661T-5 | 3.3 | 23.8 | 9.1 | 88.4 | 89.8 | 89.5 | 59 | 71 | 77 | 6206 | 6205 | H | 15.24 | CD0006 | - |
| 3 | 2.2 | 1160 | 213T | EM3704T-5 | 3.7 | 27.5 | 13.4 | 87.7 | 89.4 | 89.5 | 49 | 61 | 68 | 6307 | 6206 | H | 19.01 | CD0006 | - |
| 5 | 3.7 | 3450 | 184T | EM3613T-5 | 4.7 | 45.7 | 7.6 | 88.4 | 89.1 | 88.5 | 81 | 88 | 91 | 6206 | 6205 | H | 16.54 | CD0006 | - |
| 5 | 3.7 | 1750 | 184T | EM3615T-5 | 5.3 | 39.3 | 14.9 | 89.6 | 90.5 | 89.5 | 60 | 72 | 78 | 6206 | 6205 | H | 18.05 | CD0006 | - |
| 5 | 3.7 | 1750 | 184T | EM3665T-5 | 5.3 | 35.7 | 15 | 90.6 | 90.3 | 89.5 | 63 | 74 | 79 | 6206 | 6205 | H | 15.24 | CD0006 | - |
| 5 | 3.7 | 1160 | 215T | EM3708T-5 | 5.8 | 42.4 | 22.7 | 89.7 | 90.1 | 89.5 | 54 | 65 | 72 | 6307 | 6206 | H | 19.76 | CD0006 | - |
| 7 1/2 | 5.6 | 3470 | 184T | EM3616T-5 | 6.8 | 72.7 | 11.4 | 90.6 | 91 | 89.5 | 85 | 90 | 93 | 6206 | 6205 | H | 18.05 | CD0006 | - |
| 7 1/2 | 5.6 | 3470 | 213T | EM3709T-5 | 6.9 | 50.5 | 11.1 | 89.1 | 90.2 | 89.5 | 80 | 87 | 90 | 6307 | 6206 | H | 17.89 | CD0006 | - |
| 7 1/2 | 5.6 | 1770 | 213T | EM3710T-5 | 7.6 | 58.5 | 22.2 | 91.1 | 92.3 | 91.7 | 61 | 74 | 81 | 6307 | 6206 | H | 19.02 | CD0006 | - |
| 7 1/2 | 5.6 | 1770 | 213T | EM3770T-5 | 7.5 | 53.9 | 22.1 | 91.2 | 91.8 | 91.7 | 65 | 76 | 81 | 6307 | 6206 | H | 18.45 | CD0006 | - |

NOTE: Volt Code: G=460V, 60 Hz; H=575V, 60Hz

5 = Belted Duty only, Roller Bearing

25 = Wye Start Delta Run

56 = Single Frame mounting holes in 447 and 449 frame

99 = Has F3 lead outlet hole and an arm mounted conduit box for easy F1 or F2 lead location.

See page 68 for Layout drawing. See page 93 for Connection Diagrams.

Efficiencies shown are nominal. Data subject to change without notice. Contact Baldor for certified data.

Shaded ratings are cast iron frames.

TEFC Super-E® Premium Efficient Motors



TEFC - Totally Enclosed Fan Cooled
Foot Mounted, 230/460, 460 & 575 Volts, Three Phase, 1/2 - 200 Hp

| Hp | kW | RPM | Frame | Catalog No. | Amps @ High V | | Full Load Torque Lb. Ft. | Efficiency % | | | Power Factor % | | | Bearings | | Volt Code | "C" Dim. | Conn. Diag. No. | Notes |
|------------------------------|-----|------|-------|-------------|---------------|--------------|--------------------------|--------------|------|-----------|----------------|-----|-----------|----------|------|-----------|----------|-----------------|-------|
| | | | | | Full Load | Locked Rotor | | 1/2 | 3/4 | Full Load | 1/2 | 3/4 | Full Load | DE | ODE | | | | |
| 575 Volts (continued) | | | | | | | | | | | | | | | | | | | |
| 10 | 7.5 | 3490 | 215T | EM3711T-5 | 9.5 | 62.6 | 15 | 91.1 | 91.4 | 90.2 | 74 | 84 | 87 | 6307 | 6206 | H | 17.89 | CD0006 | - |
| 10 | 7.5 | 1770 | 215T | EM3714T-5 | 9.6 | 83.9 | 29.5 | 92 | 92.7 | 91.7 | 65 | 78 | 85 | 6307 | 6206 | H | 20.52 | CD0006 | - |
| 10 | 7.5 | 1760 | 215T | EM3774T-5 | 9.8 | 66.3 | 29.8 | 92.1 | 92.7 | 91.7 | 70 | 79 | 83 | 6307 | 6206 | H | 18.45 | CD0006 | - |
| 15 | 11 | 3500 | 215T | EM3713T-5 | 13.6 | 125 | 22.2 | 93.2 | 93 | 91 | 83 | 90 | 91 | 6307 | 6206 | H | 20.52 | CD0006 | - |
| 15 | 11 | 3525 | 254T | EM2394T-5 | 14.1 | 91.8 | 22.1 | 90.8 | 91.8 | 91 | 75 | 83 | 86 | 6309 | 6208 | H | 23.16 | CD0006 | - |
| 15 | 11 | 1765 | 254T | EM2333T-5 | 14.8 | 99 | 44.5 | 91.3 | 92.5 | 92.4 | 67 | 78 | 82 | 6309 | 6208 | H | 23.16 | CD0006 | - |
| 20 | 15 | 3510 | 256T | EM4106T-5 | 18.2 | 120 | 29.9 | 92.4 | 92.1 | 91 | 81 | 87 | 90 | 6309 | 6208 | H | 23.16 | CD0006 | - |
| 20 | 15 | 1765 | 256T | EM2334T-5 | 19.2 | 140 | 59 | 92.8 | 93.1 | 93 | 69 | 80 | 84 | 6309 | 6208 | H | 23.16 | CD0006 | - |
| 25 | 19 | 3520 | 284TS | EM4107T-5 | 22 | 168 | 37.2 | 92.2 | 92.7 | 91.7 | 87 | 91 | 93 | 6311 | 6208 | H | 24.7 | CD0006 | - |
| 25 | 19 | 1770 | 284T | EM4103T-5 | 23.9 | 153 | 74.1 | 92.4 | 93.5 | 93.6 | 71 | 80 | 84 | 6311 | 6309 | H | 27.76 | CD0006 | - |
| 30 | 22 | 3520 | 286TS | EM4108T-5 | 26.5 | 204 | 44.7 | 93.1 | 93.1 | 91.7 | 81 | 88 | 91 | 6311 | 6208 | H | 24.7 | CD0006 | - |
| 30 | 22 | 1770 | 286T | EM4104T-5 | 29 | 177 | 89.2 | 93.9 | 94.4 | 93.6 | 69 | 77 | 84 | 6311 | 6309 | H | 27.76 | CD0006 | - |
| 40 | 30 | 3540 | 324TS | EM4109T-5 | 36 | 268 | 59.5 | 92.3 | 93.4 | 92.4 | 79 | 86 | 89 | 6312 | 6311 | H | 28.78 | CD0006 | - |
| 40 | 30 | 1775 | 324T | EM4110T-5 | 39 | 267 | 118 | 93.6 | 94.3 | 94.1 | 67 | 77 | 82 | 6312 | 6311 | H | 30.28 | CD0006 | - |
| 50 | 37 | 3540 | 326TS | EM4114T-5 | 45 | 325 | 74.2 | 93.6 | 94.3 | 93 | 79 | 86 | 89 | 6312 | 6311 | H | 28.9 | CD0006 | - |
| 50 | 37 | 1775 | 326T | EM4115T-5 | 46 | 310 | 149 | 94.4 | 95.1 | 94.5 | 75 | 83 | 87 | 6312 | 6311 | H | 30.28 | CD0006 | - |
| 60 | 45 | 1780 | 364T | EM4314T-5 | 54.4 | 344 | 177 | 95.2 | 95.3 | 95 | 79 | 85 | 87 | 6313 | 6313 | H | 33.44 | 416820-36 | - |
| 75 | 56 | 1780 | 365T | EM4316T-5 | 68.7 | 434 | 221 | 95.7 | 95.8 | 95.4 | 77 | 84 | 86 | 6313 | 6313 | H | 33.44 | 416820-36 | - |
| 100 | 75 | 1785 | 405T | EM4400T-5 | 89.6 | 580 | 295 | 95.4 | 95.7 | 95.4 | 83 | 87 | 88 | 6316 | 6316 | H | 38.06 | 416820-36 | - |
| 125 | 93 | 1785 | 444T | EM4410T-5 | 115 | 713 | 368 | 95.5 | 95.8 | 95.4 | 73 | 82 | 85 | 6318 | 6318 | H | 44.75 | 416820-36 | - |
| 125 | 93 | 1785 | 444T | EM4410T-5E | 111 | 726 | 368 | 95.5 | 95.9 | 95.8 | 81 | 87 | 88 | 6318 | 6318 | H | 44.62 | 416820-36 | 56 |
| 125 | 93 | 1785 | 444T | EM4910T-5 | 115 | 713 | 368 | 95.5 | 95.8 | 95.4 | 73 | 82 | 85 | 6318 | 6318 | H | 44.75 | 416820-36 | 99 |
| 150 | 112 | 1785 | 445T | EM4406T-5E | 132 | 868 | 441 | 96.4 | 96.6 | 96.2 | 83 | 88 | 89 | 6318 | 6318 | H | 44.62 | 416820-36 | 56 |
| 150 | 112 | 1785 | 445T | EM4406T-5 | 136 | 833 | 442 | 96 | 96.1 | 95.8 | 76 | 83 | 86 | 6318 | 6318 | H | 44.75 | 416820-36 | - |
| 150 | 112 | 1785 | 445T | EM4906T-5 | 136 | 833 | 442 | 96 | 96.1 | 95.8 | 76 | 83 | 86 | 6318 | 6318 | H | 44.75 | 416820-36 | 99 |

NOTE: Volt Code: H=575V, 60Hz

56 = Single Frame mounting holes in 447 and 449 frame

99 = Has F3 lead outlet hole and an arm mounted conduit box for easy F1 or F2 lead location.

See page 68 for Layout drawing. See page 93 for Connection Diagrams.

Efficiencies shown are nominal. Data subject to change without notice. Contact Baldor for certified data.

Shaded ratings are cast iron frames.

TEFC Super-E® Premium Efficient Motors

F2 Mounting



Foot Mounted, 230/460 Volts, Three Phase, 2 - 30 Hp

| Hp | kW | RPM | Frame | Catalog No. | Amps @ High V | | Full Load Torque Lb. Ft. | Efficiency % | | | Power Factor % | | | Bearings | | Volt Code | "C" Dim. | Conn. Diag. No. |
|-------|-----|------|-------|-------------|---------------|--------------|--------------------------|--------------|------|-----------|----------------|-----|-----------|----------|------|-----------|----------|-----------------|
| | | | | | Full Load | Locked Rotor | | 1/2 | 3/4 | Full Load | 1/2 | 3/4 | Full Load | DE | ODE | | | |
| 2 | 1.5 | 1755 | 145T | EFM3558T | 2.9 | 24.3 | 6 | 84.2 | 86.4 | 86.5 | 51 | 64 | 73 | 6205 | 6203 | E | 14.19 | CD0005 |
| 3 | 2.2 | 1760 | 182T | EFM3611T | 4.2 | 32 | 8.9 | 87.8 | 89.5 | 89.5 | 54 | 68 | 75 | 6206 | 6205 | E | 16.55 | CD0005 |
| 5 | 3.7 | 1750 | 184T | EFM3615T | 6.7 | 49.1 | 14.9 | 89.7 | 90.3 | 89.5 | 60 | 72 | 78 | 6206 | 6205 | E | 18.06 | CD0005 |
| 7 1/2 | 5.6 | 1770 | 213T | EFM3710T | 9.4 | 71.6 | 22.3 | 91.8 | 92.4 | 91.7 | 62 | 75 | 81 | 6307 | 6206 | E | 19.01 | CD0005 |
| 10 | 7.5 | 1770 | 215T | EFM3714T | 12 | 103 | 29.5 | 92.1 | 92.4 | 91.7 | 66 | 79 | 85 | 6307 | 6206 | E | 20.51 | CD0005 |
| 15 | 11 | 1765 | 254T | EFM2333T | 18.5 | 122.9 | 44.6 | 91.9 | 92.6 | 92.4 | 66 | 77 | 82 | 6309 | 6208 | E1 | 23.16 | CD0005 |
| 20 | 15 | 1765 | 256T | EFM2334T | 24 | 175.1 | 59.5 | 92.6 | 93.3 | 93 | 70 | 79 | 84 | 6309 | 6208 | E1 | 23.16 | CD0005 |
| 25 | 19 | 1770 | 284T | EFM4103T | 30 | 186 | 74.2 | 92.3 | 93.5 | 93.6 | 73 | 81 | 85 | 6311 | 6309 | E1 | 27.76 | CD0005 |
| 30 | 22 | 1770 | 286T | EFM4104T | 36 | 235 | 89.1 | 93.7 | 94.3 | 93.6 | 66 | 75 | 83 | 6311 | 6309 | E1 | 27.76 | CD0005 |

NOTE: Volt Code: E = 208-230/460V, 60Hz; E1 = 230/460V, 60Hz, usable at 208V

See page 67 for Layout drawing. See page 93 for Connection Diagrams.

Efficiencies shown are nominal. Data subject to change without notice. Contact Baldor for certified data.

Shaded ratings are cast iron frames.

TEFC Super-E® Premium Efficient Motors C-Face Foot Mounted



TEFC - Totally Enclosed Fan Cooled
230/460 & 575 Volts, Three Phase, 1 - 100 Hp

| Hp | kW | RPM | Frame | Catalog No. | Amps @ High V | | Full Load Torque Lb. Ft. | Efficiency % | | | Power Factor % | | | Bearings | | Volt Code | "C" Dim. | Conn. Diag. No. |
|----------------------|------|------|--------|-------------|---------------|--------------|--------------------------|--------------|------|-----------|----------------|-----|-----------|----------|------|-----------|----------|-----------------|
| | | | | | Full Load | Locked Rotor | | 1/2 | 3/4 | Full Load | 1/2 | 3/4 | Full Load | DE | ODE | | | |
| 230/460 Volts | | | | | | | | | | | | | | | | | | |
| 1 | 0.75 | 3450 | 56C | CEM3545 | 1.4 | 9 | 1.5 | 67.8 | 73.1 | 77 | 74 | 82 | 87 | 6205 | 6203 | E1 | 12.25 | CD0005 |
| 1 | 0.75 | 1760 | 56C | CEM3546 | 1.5 | 12.1 | 2.97 | 82.1 | 84.8 | 85.5 | 49 | 62 | 71 | 6205 | 6203 | E | 12.23 | CD0005 |
| 1 | 0.75 | 1760 | 143TC | CEM3546T | 1.5 | 12.1 | 3 | 82.1 | 84.8 | 85.5 | 49 | 62 | 71 | 6205 | 6203 | E | 13.29 | CD0005 |
| 1 | 0.75 | 1760 | 143TC | CEM3581T | 1.5 | 12.1 | 3 | 82.1 | 84.8 | 85.5 | 79 | 62 | 71 | 6205 | 6203 | E | 13.03 | CD0005 |
| 1 | 0.75 | 1155 | 145TC | CEM3556T | 1.8 | 10.8 | 4.5 | 79.4 | 82.3 | 82.5 | 43 | 55 | 64 | 6205 | 6203 | E | 13.29 | CD0005 |
| 1 1/2 | 1.1 | 3500 | 56C | CEM3550 | 1.9 | 17.9 | 2.2 | 82.2 | 84.4 | 84 | 67 | 79 | 85 | 6205 | 6203 | E | 13.25 | CD0005 |
| 1 1/2 | 1.1 | 3500 | 143TC | CEM3550T | 1.9 | 17.9 | 2.2 | 82.2 | 84.4 | 84 | 67 | 79 | 85 | 6205 | 6203 | E | 13.29 | CD0005 |
| 1 1/2 | 1.1 | 3500 | 143TC | CEM3583T | 1.9 | 17.9 | 2.2 | 82 | 84.6 | 84 | 67 | 79 | 85 | 6205 | 6203 | E | 13.03 | CD0005 |
| 1 1/2 | 1.1 | 1760 | 56C | CEM3554 | 2.2 | 18.3 | 4.5 | 84.5 | 86.8 | 86.5 | 51 | 65 | 73 | 6205 | 6203 | E | 13.23 | CD0005 |
| 1 1/2 | 1.1 | 1760 | 145TC | CEM3554T | 2.2 | 18.3 | 4.5 | 84.5 | 86.8 | 86.5 | 51 | 65 | 73 | 6205 | 6203 | E | 13.29 | CD0005 |
| 1 1/2 | 1.1 | 1765 | 145TC | CEM3584T | 2.3 | 20.7 | 4.5 | 83.8 | 86.4 | 86.5 | 49 | 62 | 71 | 6205 | 6203 | E | 13.03 | CD0005 |
| 1 1/2 | 1.1 | 1170 | 182TC | CEM3607T | 2.6 | 14.7 | 6.8 | 86 | 88.3 | 87.5 | 42 | 53 | 62 | 6206 | 6205 | E | 16.55 | CD0005 |
| 2 | 1.5 | 3490 | 56C | CEM3555 | 2.5 | 25.9 | 3 | 83.5 | 85.9 | 85.5 | 75 | 84 | 88 | 6205 | 6203 | E | 13.25 | CD0005 |
| 2 | 1.5 | 3490 | 145TC | CEM3555T | 2.5 | 25.9 | 3 | 83.5 | 85.9 | 85.5 | 75 | 84 | 88 | 6205 | 6203 | E | 13.29 | CD0005 |
| 2 | 1.5 | 3490 | 145TC | CEM3586T | 2.5 | 25.9 | 3 | 83.5 | 85.9 | 85.5 | 75 | 84 | 88 | 6205 | 6203 | E | 13.03 | CD0005 |
| 2 | 1.5 | 1755 | 56C | CEM3558 | 2.9 | 24.3 | 6 | 84.2 | 86.4 | 86.5 | 51 | 64 | 73 | 6205 | 6203 | E | 14.1 | CD0005 |
| 2 | 1.5 | 1755 | 145TC | CEM3558T | 2.9 | 24.3 | 6 | 84.2 | 86.4 | 86.5 | 51 | 64 | 73 | 6205 | 6203 | E | 14.17 | CD0005 |
| 2 | 1.5 | 1750 | 145TC | CEM3587T | 2.9 | 25 | 6 | 85.1 | 87.1 | 86.5 | 53 | 66 | 75 | 6205 | 6203 | E | 13.03 | CD0005 |
| 2 | 1.5 | 1170 | 184TC | CEM3614T | 3.5 | 20.9 | 9 | 86.7 | 88.6 | 88.5 | 41 | 53 | 60 | 6206 | 6205 | E | 18.05 | CD0005 |
| 2 | 1.5 | 1165 | 184TC | CEM3664T | 3.2 | 20.9 | 9 | 86.4 | 88.1 | 88.5 | 48 | 60 | 68 | 6206 | 6205 | E | 16 | CD0005 |
| 3 | 2.2 | 3450 | 145TC | CEM3559T | 3.6 | 33 | 4.5 | 87.9 | 88.2 | 86.5 | 81 | 88 | 92 | 6205 | 6203 | E | 14.17 | CD0005 |
| 3 | 2.2 | 3450 | 182TC | CEM3610T | 3.7 | 33.3 | 4.7 | 86.2 | 87.3 | 86.5 | 82 | 88 | 91 | 6206 | 6205 | E | 15.18 | CD0005 |
| 3 | 2.2 | 3460 | 182TC | CEM3660T | 3.8 | 30.9 | 4.7 | 86.5 | 87.4 | 86.5 | 76 | 84 | 88 | 6206 | 6205 | E | 16 | CD0005 |
| 3 | 2.2 | 1760 | 182TC | CEM3611T | 4.2 | 32 | 8.9 | 87.8 | 89.5 | 89.5 | 54 | 68 | 75 | 6206 | 6205 | E | 16.55 | CD0005 |
| 3 | 2.2 | 1755 | 182TC | CEM3661T | 4.1 | 29.8 | 9.1 | 88.9 | 90.1 | 89.5 | 58 | 70 | 77 | 6206 | 6205 | E | 16 | CD0005 |
| 3 | 2.2 | 1160 | 213TC | CEM3704T | 4.6 | 34.4 | 13.4 | 87.7 | 89.4 | 89.5 | 49 | 61 | 68 | 6307 | 6206 | E | 19.76 | CD0005 |
| 3 | 2.2 | 1165 | 213TC | CEM3764T | 4.5 | 33.2 | 13.6 | 88.1 | 89.5 | 89.5 | 53 | 64 | 71 | 6307 | 6206 | E | 19.2 | CD0005 |
| 5 | 3.7 | 3450 | 184TC | CEM3613T | 5.9 | 57.2 | 7.7 | 88.9 | 89.4 | 88.5 | 81 | 88 | 91 | 6206 | 6205 | F | 16.55 | CD0005 |
| 5 | 3.7 | 3475 | 184TC | CEM3663T | 6.3 | 51.7 | 7.5 | 87.8 | 89 | 88.5 | 64 | 77 | 84 | 6206 | 6205 | E | 16 | CD0005 |
| 5 | 3.7 | 1750 | 184TC | CEM3615T | 6.7 | 49.1 | 14.9 | 89.7 | 90.3 | 89.5 | 60 | 72 | 78 | 6206 | 6205 | E | 18.05 | CD0005 |
| 5 | 3.7 | 1750 | 184TC | CEM3665T | 6.6 | 45.5 | 15 | 89.8 | 90.3 | 89.5 | 63 | 73 | 79 | 6206 | 6205 | E | 16 | CD0005 |
| 5 | 3.7 | 1160 | 215TC | CEM3708T | 7.3 | 51.6 | 22.7 | 89.8 | 90.4 | 89.5 | 55 | 66 | 73 | 6307 | 6206 | E | 20.51 | CD0005 |
| 5 | 3.7 | 1160 | 215TC | CEM3768T | 7.4 | 50.6 | 22.5 | 89.9 | 90.3 | 89.5 | 54 | 65 | 71 | 6307 | 6206 | E | 19.2 | CD0005 |
| 7 1/2 | 5.6 | 3450 | 184TC | CEM3616T | 8.4 | 91 | 11.37 | 90.6 | 90.7 | 89.5 | 85 | 90 | 93 | 6206 | 6205 | E | 18.05 | CD0005 |
| 7 1/2 | 5.6 | 3470 | 213TC | CEM3709T | 8.6 | 63.1 | 11.1 | 89.2 | 90.1 | 89.5 | 80 | 87 | 90 | 6307 | 6206 | E1 | 18.63 | CD0005 |
| 7 1/2 | 5.6 | 3525 | 213TC | CEM3769T | 8.6 | 75 | 11.2 | 90 | 91.4 | 91 | 79 | 87 | 90 | 6307 | 6206 | E1 | 19.2 | CD0005 |
| 7 1/2 | 5.6 | 1770 | 213TC | CEM3710T | 9.4 | 71.6 | 22.3 | 91.8 | 92.4 | 91.7 | 62 | 75 | 81 | 6307 | 6206 | E | 19.76 | CD0005 |
| 7 1/2 | 5.6 | 1770 | 213TC | CEM3770T | 9.5 | 68 | 22.1 | 91.6 | 92.3 | 91.7 | 65 | 76 | 81 | 6307 | 6206 | E1 | 19.2 | CD0005 |
| 10 | 7.5 | 3490 | 215TC | CEM3711T | 11.8 | 78.5 | 15 | 91 | 91.3 | 90.2 | 74 | 84 | 87 | 6307 | 6206 | E | 18.63 | CD0005 |
| 10 | 7.5 | 3500 | 215TC | CEM3771T | 11.8 | 88.5 | 14.9 | 93 | 93.2 | 90.2 | 79 | 88 | 90 | 6307 | 6206 | E1 | 19.2 | CD0005 |
| 10 | 7.5 | 1770 | 215TC | CEM3714T | 12 | 103 | 29.5 | 92.1 | 92.4 | 91.7 | 66 | 79 | 85 | 6307 | 6206 | E | 21.26 | CD0005 |
| 10 | 7.5 | 1760 | 215TC | CEM3774T | 12.2 | 81 | 29.8 | 92.5 | 92.9 | 91.7 | 71 | 80 | 83 | 6307 | 6206 | E1 | 19.2 | CD0005 |
| 15 | 11 | 3500 | 215TC | CEM3713T | 17 | 161 | 22.5 | 91.5 | 91.8 | 91 | 87 | 92 | 93 | 6307 | 6206 | E | 21.26 | CD0005 |
| 15 | 11 | 3520 | 254TC | CEM2394T | 17.5 | 110 | 22.1 | 91 | 91.6 | 91 | 77 | 85 | 87 | 6309 | 6208 | E1 | 23.78 | CD0180 |
| 15 | 11 | 1765 | 254TC | CEM2333T | 18.5 | 122.9 | 44.6 | 91.9 | 92.6 | 92.4 | 66 | 77 | 82 | 6309 | 6208 | E1 | 23.78 | CD0005 |
| 20 | 15 | 3520 | 256TC | CEM4106T | 23 | 161 | 29.6 | 92.2 | 92.4 | 91 | 78 | 86 | 89 | 6309 | 6208 | E1 | 23.78 | CD0005 |
| 20 | 15 | 1765 | 256TC | CEM2334T | 24 | 175.1 | 59.5 | 92.6 | 93.3 | 93 | 70 | 79 | 84 | 6309 | 6208 | E1 | 23.78 | CD0005 |
| 25 | 19 | 3520 | 284TSC | CEM4107T | 27 | 206 | 37.2 | 92.2 | 92.8 | 91.7 | 87 | 91 | 93 | 6311 | 6208 | E1 | 24.71 | CD0180 |
| 25 | 19 | 1770 | 284TC | CEM4103T | 30 | 186 | 74.2 | 92.3 | 93.5 | 93.6 | 73 | 81 | 85 | 6311 | 6309 | E1 | 27.76 | CD0005 |
| 30 | 22 | 3520 | 284TSC | CEM4108T | 33 | 214 | 44.5 | 92.8 | 93.2 | 91.7 | 83 | 89 | 91 | 6311 | 6309 | E | 26.39 | CD0180 |
| 30 | 22 | 1760 | 286TC | CEM4104T | 38 | 270 | 88.7 | 92.3 | 93.5 | 93.6 | 63 | 73 | 80 | 6311 | 6309 | E1 | 27.76 | CD0180 |
| 40 | 30 | 3530 | 324TSC | CEM4109T | 46 | 305 | 59.2 | 91.6 | 92.6 | 92.4 | 79 | 86 | 88 | 6312 | 6311 | E1 | 28.78 | CD0180 |
| 40 | 30 | 1775 | 324TC | CEM4110T | 48 | 338 | 118 | 93.5 | 94.2 | 94.1 | 69 | 78 | 83 | 6312 | 6311 | E1 | 30.28 | CD0180 |

NOTE: Volt Code: E = 208-230/460V, 60Hz; E1 = 230/460V, 60Hz, usable at 208V; F = 230/460V, 60 Hz; H=575V, 60 Hz.
See page 70 for Layout drawing. See page 93 for Connection Diagrams.
Efficiencies shown are nominal. Data subject to change without notice. Contact Baldor for certified data.

Shaded ratings are cast iron frames.

TEFC Super-E® Premium Efficient Motors C-Face Foot Mounted



**TEFC - Totally Enclosed Fan Cooled
230/460 & 575 Volts, Three Phase, 1 - 100 Hp**

| Hp | kW | RPM | Frame | Catalog No. | Amps @ High V | | Full Load Torque Lb. Ft. | Efficiency % | | | Power Factor % | | | Bearings | | Volt Code | "C" Dim. | Conn. Diag. No. |
|----------------------------------|------|------|--------|-------------------|---------------|--------------|--------------------------|--------------|------|-----------|----------------|-----|-----------|----------|------|-----------|----------|-----------------|
| | | | | | Full Load | Locked Rotor | | 1/2 | 3/4 | Full Load | 1/2 | 3/4 | Full Load | DE | ODE | | | |
| 230/460 Volts (continued) | | | | | | | | | | | | | | | | | | |
| 50 | 37 | 3540 | 326TSC | CEM4114T | 56 | 408 | 74.4 | 93.8 | 94.2 | 93 | 82 | 88 | 90 | 6312 | 6311 | E1 | 28.78 | CD0180 |
| 50 | 37 | 1775 | 326TC | CEM4115T | 57 | 392 | 149 | 94.4 | 94.9 | 94.5 | 73 | 82 | 85 | 6312 | 6311 | E1 | 30.28 | CD0180 |
| 60 | 45 | 3560 | 364TSC | CEM4310T | 67.3 | 398 | 88.5 | 95.3 | 95.5 | 93.6 | 88 | 91 | 91 | 6313 | 6313 | E1 | 31.31 | 416820-2 |
| 60 | 45 | 1780 | 364TC | CEM4314T | 68 | 430 | 177 | 95.5 | 95.3 | 95 | 79 | 85 | 87 | 6313 | 6313 | E1 | 33.44 | 416820-2 |
| 75 | 56 | 3555 | 365TSC | CEM4313T | 83.4 | 494 | 111 | 95.1 | 95.4 | 93.6 | 91 | 92 | 92 | 6313 | 6313 | E1 | 31.31 | 416820-2 |
| 75 | 56 | 1780 | 365TC | CEM4316T | 85.9 | 542 | 221 | 95.7 | 95.8 | 95.4 | 77 | 84 | 86 | 6313 | 6313 | E1 | 33.44 | 416820-2 |
| 100 | 75 | 1785 | 405TC | CEM4400T | 112 | 725 | 295 | 95.4 | 95.7 | 95.4 | 83 | 87 | 87 | 6316 | 6316 | E1 | 38.31 | 416820-2 |
| 575 Volts | | | | | | | | | | | | | | | | | | |
| 1 | 0.75 | 1760 | 143TC | CEM3546T-5 | 1.2 | 9.66 | 3 | 81.9 | 84.8 | 85.5 | 49 | 62 | 71 | 6205 | 6203 | H | 13.29 | CD0006 |
| 1 | 0.75 | 1760 | 143TC | CEM3581T-5 | 1.2 | 9.66 | 3 | 81.9 | 84.8 | 85.5 | 49 | 62 | 71 | 6205 | 6203 | H | 13.03 | CD0006 |
| 1 1/2 | 1.1 | 3500 | 143TC | CEM3583T-5 | 1.5 | 14.5 | 2.2 | 82.1 | 84.3 | 84 | 66 | 78 | 85 | 6205 | 6203 | H | 13.03 | CD0006 |
| 1 1/2 | 1.1 | 1760 | 145TC | CEM3554T-5 | 1.8 | 14.6 | 4.5 | 84.5 | 87 | 86.5 | 51 | 65 | 74 | 6205 | 6203 | H | 13.29 | CD0006 |
| 1 1/2 | 1.1 | 1760 | 145TC | CEM3584T-5 | 1.7 | 14.3 | 4.5 | 86.5 | 88.2 | 86.5 | 54 | 67 | 76 | 6205 | 6203 | H | 13.03 | CD0006 |
| 2 | 1.5 | 3490 | 145TC | CEM3586T-5 | 2 | 21 | 3 | 83.6 | 85.5 | 85.5 | 74 | 84 | 88 | 6205 | 6203 | H | 13.03 | CD0006 |
| 2 | 1.5 | 1755 | 145TC | CEM3558T-5 | 2.4 | 19.6 | 6 | 83.8 | 86.4 | 86.5 | 50 | 64 | 73 | 6205 | 6203 | H | 14.17 | CD0006 |
| 2 | 1.5 | 1750 | 145TC | CEM3587T-5 | 2.3 | 20 | 6 | 85.2 | 87 | 86.5 | 53 | 66 | 74 | 6205 | 6203 | H | 13.03 | CD0006 |
| 3 | 2.2 | 3450 | 145TC | CEM3559T-5 | 2.9 | 26.1 | 4.5 | 87.9 | 88.1 | 86.5 | 77 | 86 | 88 | 6205 | 6203 | H | 14.17 | CD0006 |
| 3 | 2.2 | 3450 | 182TC | CEM3610T-5 | 2.9 | 26.1 | 4.5 | 87.9 | 88.1 | 86.5 | 77 | 86 | 88 | 6206 | 6203 | H | 15.18 | CD0006 |
| 3 | 2.2 | 3460 | 182TC | CEM3660T-5 | 3 | 20.9 | 4.6 | 86.3 | 87 | 86.5 | 74 | 82 | 87 | 6206 | 6205 | H | 16 | CD0006 |
| 3 | 2.2 | 1760 | 182TC | CEM3611T-5 | 3.3 | 25.9 | 8.9 | 87.7 | 89.5 | 89.5 | 54 | 67 | 75 | 6206 | 6205 | H | 16.55 | CD0006 |
| 3 | 2.2 | 1755 | 182TC | CEM3661T-5 | 3.3 | 23.8 | 9.1 | 88.4 | 89.8 | 89.5 | 59 | 71 | 77 | 6206 | 6205 | H | 16 | CD0006 |
| 5 | 3.7 | 3450 | 184TC | CEM3613T-5 | 4.7 | 45.7 | 7.6 | 88.4 | 89.1 | 88.5 | 81 | 88 | 91 | 6206 | 6205 | H | 16.55 | CD0006 |
| 5 | 3.7 | 3475 | 184TC | CEM3663T-5 | 5.1 | 41.7 | 7.5 | 87.7 | 89 | 88.5 | 63 | 76 | 83 | 6206 | 6205 | H | 16 | CD0006 |
| 5 | 3.7 | 1750 | 184TC | CEM3615T-5 | 5.3 | 39.3 | 14.9 | 89.6 | 91.5 | 89.5 | 60 | 72 | 78 | 6206 | 6205 | H | 18.05 | CD0006 |
| 5 | 3.7 | 1750 | 184TC | CEM3665T-5 | 5.3 | 35.7 | 15 | 90.6 | 90.3 | 89.5 | 63 | 74 | 79 | 6206 | 6205 | H | 16 | CD0006 |
| 7 1/2 | 5.6 | 3525 | 213TC | CEM3769T-5 | 6.9 | 60 | 11.2 | 90 | 91.4 | 89.5 | 79 | 87 | 90 | 6307 | 6206 | H | 19.2 | CD0006 |
| 7 1/2 | 5.6 | 1770 | 213TC | CEM3710T-5 | 7.6 | 58.5 | 22.2 | 91.1 | 92.3 | 91.7 | 61 | 74 | 81 | 6307 | 6206 | H | 19.76 | CD0006 |
| 7 1/2 | 5.6 | 1770 | 213TC | CEM3770T-5 | 7.5 | 53.9 | 22.1 | 91.2 | 91.8 | 91.7 | 65 | 76 | 81 | 6307 | 6206 | H | 19.2 | CD0006 |
| 10 | 7.5 | 3490 | 215TC | CEM3711T-5 | 9.5 | 62.6 | 15 | 91.1 | 91.4 | 90.2 | 74 | 84 | 87 | 6307 | 6206 | H | 18.63 | CD0006 |
| 10 | 7.5 | 3500 | 215TC | CEM3771T-5 | 9.3 | 69.3 | 14.9 | 92.4 | 92.8 | 90.2 | 80 | 88 | 91 | 6307 | 6206 | H | 19.2 | CD0006 |
| 10 | 7.5 | 3490 | 215TC | CEM3714T-5 | 9.6 | 92.6 | 15 | 91.1 | 91.4 | 91.7 | 74 | 84 | 87 | 6307 | 6206 | H | 21.26 | CD0006 |
| 10 | 7.5 | 1760 | 215TC | CEM3774T-5 | 9.8 | 66.3 | 29.8 | 92.1 | 92.7 | 91.7 | 70 | 79 | 83 | 6307 | 6206 | H | 19.2 | CD0006 |
| 15 | 11 | 3500 | 215TC | CEM3713T-5 | 13.6 | 125 | 22.2 | 93.2 | 93 | 91 | 83 | 90 | 91 | 6307 | 6206 | H | 21.26 | CD0006 |
| 15 | 11 | 1765 | 254TC | CEM2333T-5 | 14.8 | 99 | 44.5 | 91.3 | 92.5 | 92.4 | 67 | 78 | 82 | 6309 | 6208 | H | 23.78 | CD0006 |
| 20 | 15 | 1765 | 256TC | CEM2334T-5 | 19 | 138 | 59 | 92 | 93 | 93 | 67 | 77 | 84 | 6309 | 6208 | H | 23.78 | CD0006 |
| 25 | 19 | 1770 | 284TC | CEM4103T-5 | 23.9 | 153 | 74.1 | 92.4 | 93.5 | 93.6 | 71 | 80 | 84 | 6311 | 6309 | H | 27.76 | CD0006 |
| 30 | 22 | 1765 | 286TC | CEM4104T-5 | 28 | 172 | 89.2 | 92.8 | 93.6 | 93.6 | 75 | 83 | 87 | 6311 | 6309 | H | 27.76 | CD0006 |

NOTE: Volt Code: E1 = 230/460V, 60Hz, usable at 208V; H=575V, 60 Hz

See page 70 for Layout drawing. See page 93 for Connection Diagrams.

Efficiencies shown are nominal. Data subject to change without notice. Contact Baldor for certified data.

Shaded ratings are cast iron frames.

TEFC Super-E® Premium Efficient Motors C-Face Footless



**TEFC - Totally Enclosed Fan Cooled,
TENV – Totally Enclosed Non-Ventilated
230/460 & 575 Volts, Three Phase, 1/4 - 20 Hp**

| Hp | kW | RPM | Frame | Encl. | Catalog No. | Amps @ High V | | Full Load Torque Lb. Ft. | Efficiency % | | | Power Factor % | | | Bearings | | Volt Code | "C" Dim. | Conn. Diag. No. |
|----------------------|------|------|-------|-------|-------------|---------------|--------------|--------------------------|--------------|------|-----------|----------------|-----|-----------|----------|------|-----------|----------|-----------------|
| | | | | | | Full Load | Locked Rotor | | 1/2 | 3/4 | Full Load | 1/2 | 3/4 | Full Load | DE | ODE | | | |
| 230/460 Volts | | | | | | | | | | | | | | | | | | | |
| 1/4 | 0.18 | 1750 | 56C | TENV | KENM3454 | 0.4 | 3 | 0.75 | 71.2 | 76.9 | 80 | 52 | 64 | 73 | 6205 | 6203 | F | 11.07 | CD0005 |
| 1/3 | 0.25 | 1750 | 56C | TENV | KENM3534 | 0.6 | 3.53 | 1.03 | 75.5 | 78.8 | 80 | 43 | 54 | 64 | 6205 | 6203 | F | 11.07 | CD0005 |
| 1/3 | 0.25 | 1150 | 56C | TENV | KENM3535 | 0.6 | 3.33 | 4.5 | 77.7 | 80.7 | 81.5 | 50 | 61 | 69 | 6205 | 6203 | E1 | 11.07 | CD0005 |
| 1/2 | 0.37 | 1735 | 56C | TEFC | VEM3538 | 0.8 | 5.6 | 1.5 | 80.3 | 82.5 | 82.5 | 52 | 65 | 74 | 6205 | 6203 | E1 | 12.24 | CD0005 |
| 1/2 | 0.37 | 1765 | 56C | TENV | VEM3538 | 0.9 | 7.5 | 1.5 | 77.9 | 81.9 | 84 | 41 | 54 | 64 | 6205 | 6203 | F | 11.06 | CD0005 |
| 3/4 | 0.56 | 1750 | 56C | TEFC | VEM3542 | 1.1 | 9.7 | 2.2 | 80.9 | 83.8 | 84 | 50 | 64 | 73 | 6205 | 6203 | E1 | 12.24 | CD0005 |
| 3/4 | 0.56 | 1750 | 56C | TENV | VEM3542 | 1.1 | 9.7 | 2.2 | 80.3 | 83.8 | 84 | 49 | 63 | 72 | 6205 | 6203 | E1 | 11.07 | CD0005 |
| 1 | 0.75 | 3450 | 56C | TEFC | VEM3545 | 1.4 | 9 | 1.5 | 67.8 | 73.1 | 77 | 74 | 82 | 87 | 6205 | 6203 | F | 12.24 | CD0005 |
| 1 | 0.75 | 1760 | 56C | TEFC | VEM3546 | 1.5 | 12.1 | 3 | 82.1 | 84.8 | 85.5 | 49 | 62 | 71 | 6205 | 6203 | E | 12.23 | CD0005 |
| 1 | 0.75 | 1760 | 56C | TEFC | VEM3581 | 1.5 | 12.1 | 3 | 82.1 | 84.8 | 85.5 | 49 | 62 | 71 | 6205 | 6203 | E | 12.47 | CD0005 |
| 1 | 0.75 | 1760 | 143TC | TEFC | VEM3546T | 1.5 | 12.1 | 3 | 82.1 | 84.8 | 85.5 | 49 | 62 | 71 | 6205 | 6203 | E | 12.29 | CD0005 |
| 1 | 0.75 | 1760 | 143TC | TEFC | VEM3581T | 1.5 | 12.1 | 3 | 82.1 | 84.8 | 85.5 | 49 | 62 | 71 | 6205 | 6203 | E | 13.03 | CD0005 |
| 1 | 0.75 | 1745 | 143TC | TENV | VEM3546T | 1.5 | 13.5 | 3 | 83.4 | 85.4 | 85.5 | 53 | 67 | 76 | 6205 | 6203 | E | 12.12 | CD0005 |
| 1 | 0.75 | 1745 | 143TC | TENV | VEM3581T | 1.5 | 13.5 | 3 | 83.4 | 85.4 | 85.5 | 53 | 67 | 76 | 6205 | 6203 | E | 11.36 | CD0005 |
| 1 | 0.75 | 1155 | 56C | TEFC | VEM3556 | 1.8 | 10.8 | 4.5 | 79.4 | 82.3 | 82.5 | 43 | 55 | 64 | 6205 | 6203 | E | 13.24 | CD0005 |
| 1 1/2 | 1.1 | 3500 | 56C | TEFC | VEM3550 | 1.9 | 17.9 | 2.2 | 82.2 | 84.4 | 84 | 67 | 79 | 85 | 6205 | 6203 | E | 12.23 | CD0005 |
| 1 1/2 | 1.1 | 1760 | 56C | TEFC | VEM3554 | 2.2 | 18.3 | 4.5 | 84.5 | 86.8 | 86.5 | 51 | 65 | 73 | 6205 | 6203 | E | 13.24 | CD0005 |
| 1 1/2 | 1.1 | 1760 | 145TC | TEFC | VEM3554T | 2.2 | 18.3 | 4.5 | 84.5 | 86.8 | 86.5 | 51 | 65 | 73 | 6205 | 6203 | E | 13.29 | CD0005 |
| 1 1/2 | 1.1 | 1765 | 145TC | TEFC | VEM3584T | 2.3 | 20.7 | 4.5 | 83.8 | 86.4 | 86.5 | 49 | 62 | 71 | 6205 | 6203 | E | 13.03 | CD0005 |
| 2 | 1.5 | 3490 | 56C | TEFC | VEM3555 | 2.5 | 25.9 | 3 | 83.5 | 85.9 | 85.5 | 75 | 84 | 88 | 6205 | 6203 | E | 13.24 | CD0005 |
| 2 | 1.5 | 1755 | 56C | TEFC | VEM3558 | 2.9 | 24.3 | 6 | 84.2 | 86.4 | 86.5 | 51 | 64 | 73 | 6205 | 6203 | E | 14.12 | CD0005 |
| 2 | 1.5 | 1755 | 145TC | TEFC | VEM3558T | 2.9 | 24.3 | 6 | 84.2 | 86.4 | 86.5 | 51 | 64 | 73 | 6205 | 6203 | E | 14.17 | CD0005 |
| 2 | 1.5 | 1750 | 145TC | TEFC | VEM3587T | 2.9 | 25 | 6 | 85.1 | 87.1 | 86.5 | 53 | 66 | 75 | 6205 | 6203 | E | 13.03 | CD0005 |
| 3 | 2.2 | 3450 | 182TC | TEFC | VEM3610T | 3.7 | 33.3 | 4.7 | 86.2 | 87.3 | 86.5 | 82 | 88 | 91 | 6206 | 6205 | F | 15.18 | CD0005 |
| 3 | 2.2 | 1760 | 182TC | TEFC | VEM3611T | 4.2 | 32 | 8.9 | 87.8 | 89.5 | 89.5 | 54 | 68 | 75 | 6206 | 6205 | E | 16.55 | CD0005 |
| 3 | 2.2 | 1755 | 182TC | TEFC | VEM3661T | 4.1 | 29.8 | 9.1 | 88.9 | 90.1 | 89.5 | 58 | 70 | 77 | 6206 | 6205 | E | 16 | CD0005 |
| 5 | 3.7 | 3450 | 184TC | TEFC | VEM3613T | 5.9 | 57.2 | 7.7 | 88.9 | 89.4 | 88.5 | 81 | 88 | 91 | 6206 | 6205 | F | 16.55 | CD0005 |
| 5 | 3.7 | 1750 | 184TC | TEFC | VEM3615T | 6.7 | 49.1 | 14.9 | 89.7 | 90.3 | 89.5 | 60 | 72 | 78 | 6206 | 6205 | E | 18.05 | CD0005 |
| 5 | 3.7 | 1750 | 184TC | TEFC | VEM3665T | 6.6 | 45.5 | 15 | 89.8 | 90.3 | 89.5 | 63 | 73 | 79 | 6206 | 6205 | E | 16 | CD0005 |
| 7 1/2 | 5.6 | 1770 | 213TC | TEFC | VEM3710T | 9.4 | 71.6 | 22.3 | 91.8 | 92.4 | 91.7 | 62 | 75 | 81 | 6307 | 6206 | E | 19.76 | CD0005 |
| 7 1/2 | 5.6 | 1770 | 213TC | TEFC | VEM3770T | 9.5 | 68 | 22.1 | 91.6 | 92.3 | 91.7 | 65 | 76 | 81 | 6307 | 6206 | E1 | 19.25 | CD0005 |
| 10 | 7.5 | 1770 | 215TC | TEFC | VEM3714T | 12 | 103 | 29.5 | 92.1 | 92.4 | 91.7 | 66 | 79 | 85 | 6307 | 6206 | E | 21.26 | CD0005 |
| 10 | 7.5 | 1760 | 215TC | TEFC | VEM3774T | 12.2 | 81 | 29.8 | 92.5 | 92.9 | 91.7 | 71 | 80 | 83 | 6307 | 6206 | E1 | 19.25 | CD0005 |
| 575 Volts | | | | | | | | | | | | | | | | | | | |
| 1 | 0.75 | 1760 | 56C | TEFC | VEM3546-5 | 1.2 | 9.7 | 3 | 81.9 | 84.8 | 85.5 | 49 | 62 | 71 | 6205 | 6203 | H | 12.23 | CD0006 |
| 1 | 0.75 | 1760 | 143TC | TEFC | VEM3546T-5 | 1.2 | 9.7 | 3 | 81.9 | 84.8 | 85.5 | 49 | 62 | 71 | 6205 | 6203 | H | 12.29 | CD0006 |
| 1 | 0.75 | 1760 | 143TC | TEFC | VEM3581T-5 | 1.2 | 9.7 | 3 | 81.9 | 84.8 | 85.5 | 49 | 62 | 71 | 6205 | 6203 | H | 13.03 | CD0006 |
| 1 1/2 | 1.1 | 3500 | 143TC | TEFC | VEM3550T-5 | 1.5 | 14.5 | 2.2 | 82.1 | 84.3 | 84 | 66 | 78 | 85 | 6205 | 6203 | H | 12.29 | CD0006 |
| 1 1/2 | 1.1 | 1760 | 145TC | TEFC | VEM3554T-5 | 1.8 | 14.6 | 4.5 | 84.5 | 87 | 86.5 | 51 | 65 | 74 | 6205 | 6203 | H | 13.29 | CD0006 |
| 1 1/2 | 1.1 | 1760 | 145TC | TEFC | VEM3584T-5 | 1.7 | 14.3 | 4.5 | 86.5 | 88.2 | 86.5 | 54 | 67 | 76 | 6205 | 6203 | H | 13.03 | CD0006 |
| 2 | 1.5 | 1755 | 145TC | TEFC | VEM3558T-5 | 2.4 | 19.6 | 6 | 83.8 | 86.4 | 86.5 | 50 | 64 | 73 | 6205 | 6203 | H | 14.17 | CD0006 |
| 2 | 1.5 | 1750 | 143TC | TEFC | VEM3587T-5 | 2.3 | 20 | 6 | 85.2 | 87 | 86.5 | 53 | 66 | 74 | 6205 | 6203 | H | 13.03 | CD0006 |
| 3 | 2.2 | 3450 | 182TC | TEFC | VEM3610T-5 | 2.9 | 26.6 | 4.7 | 86 | 87.4 | 86.5 | 82 | 88 | 91 | 6206 | 6205 | H | 15.18 | CD0006 |
| 3 | 2.2 | 1760 | 182TC | TEFC | VEM3611T-5 | 3.3 | 25.9 | 8.9 | 87.7 | 89.5 | 89.5 | 54 | 67 | 75 | 6206 | 6205 | H | 16.55 | CD0006 |
| 3 | 2.2 | 1755 | 182TC | TEFC | VEM3661T-5 | 3.3 | 23.8 | 9.1 | 88.4 | 89.8 | 89.5 | 59 | 71 | 77 | 6206 | 6205 | H | 16 | CD0006 |
| 5 | 3.7 | 3450 | 182TC | TEFC | VEM3613T-5 | 4.7 | 45.7 | 7.6 | 88.4 | 89.1 | 88.5 | 81 | 88 | 91 | 6206 | 6205 | H | 16.55 | CD0006 |
| 5 | 3.7 | 1750 | 184TC | TEFC | VEM3615T-5 | 5.3 | 39.3 | 14.9 | 89.6 | 90.5 | 89.5 | 60 | 72 | 78 | 6206 | 6205 | H | 18.05 | CD0006 |
| 5 | 3.7 | 1750 | 184TC | TEFC | VEM3665T-5 | 5.3 | 35.7 | 15 | 90.6 | 90.3 | 89.5 | 63 | 74 | 79 | 6206 | 6205 | H | 16 | CD0006 |
| 7 1/2 | 5.6 | 3470 | 213TC | TEFC | VEM3709T-5 | 6.8 | 72.7 | 11.4 | 90.6 | 91 | 89.5 | 85 | 90 | 93 | 6307 | 6205 | H | 19.28 | CD0006 |
| 7 1/2 | 5.6 | 1770 | 213TC | TEFC | VEM3710T-5 | 7.6 | 58.5 | 22.2 | 91.1 | 92.3 | 91.7 | 61 | 74 | 81 | 6307 | 6206 | H | 19.76 | CD0006 |
| 7 1/2 | 5.6 | 1770 | 213TC | TEFC | VEM3770T-5 | 7.5 | 53.9 | 22.1 | 91.2 | 91.8 | 91.7 | 65 | 76 | 81 | 6307 | 6206 | H | 19.25 | CD0006 |
| 10 | 7.5 | 3490 | 215TC | TEFC | VEM3711T-5 | 9.5 | 62.6 | 15 | 91.1 | 91.4 | 90.2 | 74 | 84 | 87 | 6307 | 6206 | H | 18.63 | CD0006 |
| 10 | 7.5 | 1770 | 215TC | TEFC | VEM3714T-5 | 9.6 | 83.9 | 29.5 | 92 | 92.7 | 91.7 | 65 | 78 | 85 | 6307 | 6206 | H | 21.26 | CD0006 |
| 10 | 7.5 | 1760 | 215TC | TEFC | VEM3774T-5 | 9.8 | 66.3 | 29.8 | 92.1 | 92.7 | 91.7 | 70 | 79 | 83 | 6307 | 6206 | H | 19.25 | CD0006 |
| 15 | 11 | 3500 | 215TC | TEFC | VEM3713T-5 | 13.6 | 125 | 22.2 | 93.2 | 93 | 91 | 83 | 90 | 91 | 6307 | 6206 | H | 21.26 | CD0006 |
| 15 | 11 | 1765 | 254TC | TEFC | VEM2333T-5 | 14.8 | 99 | 44.5 | 91.3 | 92.5 | 92.4 | 67 | 78 | 82 | 6309 | 6208 | H | 23.66 | CD0006 |
| 20 | 15 | 1765 | 256TC | TEFC | VEM2334T-5 | 19.2 | 140 | 59 | 92.8 | 93.1 | 93 | 69 | 80 | 84 | 6309 | 6208 | H | 23.66 | CD0006 |

NOTE: Volt Code: E = 208-230/460V, 60Hz; E1 = 230/460V, 60Hz, usable at 208V; F = 230/460V, 60 Hz; H=575V, 60 Hz
 See page 71 for Layout drawing. See page 93 for Connection Diagrams.
 Efficiencies shown are nominal. Data subject to change without notice. Contact Baldor for certified data.

Open Drip Proof (ODP) Super-E® Motor Construction



Baldor•Reliance Super-E ODP (Open Drip Proof) motors meet or exceed NEMA Premium® efficiency for applications where an open motor may be used. The “drip proof” construction provides some protection from the environment, but is best for relatively clean, weather-protected applications. Air circulates freely through the motor for cooling. These motors are available from stock in single or three phase, rigid base, C-face or close-coupled pump mountings.



Super-E ODP Premium Efficiency Motor Family

| Electrical Features | ODP 56T-449T Frames |
|--|--------------------------------|
| Hp Range - Stock | 1-300 |
| Hp Range - Custom | 1 - 350 |
| Class F insulation with Class B rise | S |
| 1.15 Service factor | S |
| 200°C Inverter Spike Resistant Insulation System | S |
| Phase insulation | S |
| Corona inception testing - meets NEMA Part 31.4.4.2 | S |
| Varnish dip & bake with 100% solids | S |
| VPI with 2-part epoxy varnish with 100% solids | O |
| No silicon lead wire | S |
| Short commercial test (no-load amps, speed, balance and hi-pot test per NEMA MG 1-1998) | S |
| Standard test with data sheet supplied with motor (Balance, winding resistance, no load & full load amps and speed, power factor, torque and actor, torque and hi-pot test per NEMA) | O |
| Mechanical Features | ODP 56T-449T Frames |
| NEMA Frame sizes | 143T - 447T Frames |
| Steel band with die cast aluminum endplates | 143T - 365T Frames |
| Steel band with cast iron endplates | 404 - 405T Frames |
| Cast iron frame - cast iron endplates | 365T - 449T Frames Optional |
| Cast Aluminum conduit box | 143T - 365T Frames |
| Cast Iron conduit box | 404 - 449T |
| Hardware - cad plated (140T-210T frames), zinc plated (250T-449T frames) | S |
| Motor unfiltered vibration at rated voltage and frequency <0.15 in/sec. peak velocity | S |
| Grease inlet with fitting | S |
| Grease outlet with pressure relief | 143T - 215T |
| Grease outlet with screw-in plug | 254T - 449T |
| Castings coated with 2-part epoxy primer | O |
| Finish paint with Super-E Gold enamel | S |
| Finish paint with 2-part dark gray epoxy | O |
| Laser etched aluminum nameplate with NEMA data | S |
| Embossed stainless steel nameplate with NEMA data | S |
| Limited Warranty | 3 years |

NOTE: WPII motors are available in 5000 frame and large.

S = Standard, O = Optional

*Approvals: All NEMA 143T through 445T, equivalent IEC frame motors are listed under UL recognized " component file # E46145. NEMA 143T through 449T are listed under CSA recognized component file # LR2262. CSA recognition is pending for 5000 and 5800 open frames - check with Baldor for status.

Open Enclosure Motors – Super-E® Capabilities

Three Phase

Typical Frame Size / Speed - RPM

| Hp | 3600 | 1800 | 1200 | 900 |
|-------|-----------------------|---------------------|---------------------|----------------|
| 1 | 56 | 143T | 145T | 182T |
| 1 1/2 | 143T | 145T | 182T | 184T |
| 2 | 145T | 145T | 184T | 213T |
| 3 | 145T | 182T | 213T | 215T |
| 5 | 182T | 184T | 215T | 254T |
| 7 1/2 | 184T | 213T | 254T | 256T |
| 10 | 213T | 215T | 256T | 284T |
| 15 | 215T | 254T | 284T | 286T |
| 20 | 254T | 256T | 286T | 324T |
| 25 | 256T | 284T | 324T | 326T |
| 30 | 284T | 286T | 326T | 364T |
| 40 | 286T | 324T | 364T | 365T |
| 50 | 324T | 326T | 365T | 404T |
| 60 | 326T | 364T | 404T | 405T |
| 75 | 364T | 365T | 405T | 444T |
| 100 | 365T | 404T | 444T | 445T |
| 125 | 404T | 405T | 445T | 447T |
| 150 | 405TS, 444TS or 449TS | 444T or 449T | 445T or 5007L | 449T or 5009L |
| 200 | 444TS or 449TS | 445T or 449T | 445T, 449T or 5009L | 5009L |
| 250 | 445TS or 449TS | 445T or 449T | 5009L | 5009L or 5011L |
| 300 | 445TS or 449TS | 445T or 5009L | 5009L | 5011L |
| 350 | 445TS, 449TS or 5009S | 447T, 449T or 5009L | 5009L | 5810 |
| 400 | 449TS or 5009S | 449T or 5009L | 5009L | 5810 |
| 450 | 449TS or 5009S | 449T or 5009L | 5011L | 5810 |
| 500 | 5009S | 5009L | 5011L | 5810 |
| 600 | 5009S | 5009L | 5011L or 5810 | 5810 |
| 700 | 5009S | 5011L or 5810 | 5810 | 5810 |
| 800 | 5808S | 5808 | 5810 | 5812 |
| 900 | 5808S | 5810 | 5812 | |
| 1000 | 5808S | 5810 | | |
| 1250 | 5810S | 5812 | | |
| 1500 | 5810S | 5812 | | |

NOTE: Shaded area denotes product scope of NEMA Premium® efficiency motor program.
See Performance Data for voltage and frame availability.

Open Drip Proof Super-E® Premium Efficient Motors

Baldor•Reliance Super-E Open Drip Proof (ODP) motors meet or exceed NEMA Premium® efficiency in your choice of steel-band or cast iron frame, ideal for general purpose industrial applications. The ODP enclosure allows air to pass freely through the motor for excellent heat transfer out of the windings. Class F insulation, a 1.15 Service Factor and Exxon Polyrex® EM grease are some of these motors' standard features. Super-E motors have an insulation system that meets the requirements of NEMA MG1 Part 31.4.4.2 for VFD use and are considered Inverter Ready.



ODP – Open Drip Proof, Foot Mounted, 230/460, 460 & 575 Volts, Three Phase, 1 - 300 Hp

| Hp | kW | RPM | Frame | Catalog No. | Amps @ High V | | Full Load Torque Lb. Ft. | Efficiency % | | | Power Factor % | | | Bearings | | Volt Code | "C" Dim. | Conn. Diag. No. | Notes |
|--------------------------------|------|------|-------|-------------|---------------|--------------|--------------------------|--------------|------|-----------|----------------|-----|-----------|----------|------|-----------|----------|-----------------|-------|
| | | | | | Full Load | Locked Rotor | | 1/2 | 3/4 | Full Load | 1/2 | 3/4 | Full Load | DE | ODE | | | | |
| 230/460 & 460 Volts | | | | | | | | | | | | | | | | | | | |
| 1 | 0.75 | 3500 | 56 | EM3115 | 1.5 | 10.8 | 1.5 | 74.9 | 79 | 80 | 59 | 72 | 80 | 6205 | 6203 | E | 11.06 | CD0005 | - |
| 1 | 0.75 | 1760 | 143T | EM3116T | 1.5 | 12.1 | 3 | 82.1 | 84.8 | 85.5 | 49 | 62 | 71 | 6205 | 6203 | E | 11.12 | CD0005 | - |
| 1 | 0.75 | 1155 | 145T | EM3156T | 1.8 | 9.8 | 4.5 | 80.6 | 83 | 82.5 | 44 | 56 | 64 | 6205 | 6203 | E | 11.62 | CD0005 | - |
| 1 1/2 | 1.1 | 3490 | 143T | EM3120T | 2 | 17.2 | 2.3 | 82.2 | 84.7 | 84 | 64 | 76 | 83 | 6205 | 6203 | E | 11.12 | CD0005 | - |
| 1 1/2 | 1.1 | 1755 | 145T | EM3154T | 2.2 | 17.5 | 4.5 | 83.5 | 86 | 86.5 | 50 | 63 | 72 | 6205 | 6203 | E1 | 11.62 | CD0005 | - |
| 1 1/2 | 1.1 | 1170 | 182T | EM3207T | 2.6 | 14 | 6.8 | 84.7 | 87.2 | 87.5 | 41 | 53 | 62 | 6206 | 6205 | E | 15 | CD0005 | - |
| 2 | 1.5 | 3450 | 143T | EM3155T | 2.5 | 21.5 | 3 | 85.2 | 86.8 | 85.5 | 72 | 82 | 87 | 6205 | 6203 | E | 11.62 | CD0005 | - |
| 2 | 1.5 | 1755 | 145T | EM3157TA | 2.9 | 24.8 | 6 | 84.9 | 87.2 | 86.5 | 54 | 67 | 73 | 6205 | 6203 | E | 12.13 | CD0007 | - |
| 2 | 1.5 | 1750 | 145T | EM3157T | 2.9 | 24.3 | 6 | 84.4 | 86.6 | 86.5 | 51 | 64 | 73 | 6205 | 6203 | E1 | 12.12 | CD0005 | - |
| 2 | 1.5 | 1170 | 184T | EM3215T | 3.5 | 19.8 | 8.9 | 86 | 88.3 | 88.5 | 40 | 52 | 60 | 6206 | 6205 | E | 16.5 | CD0005 | - |
| 3 | 2.2 | 3450 | 145T | EM3158T | 3.8 | 32.5 | 4.5 | 83.8 | 85.4 | 85.5 | 72 | 82 | 87 | 6205 | 6203 | E1 | 13 | CD0005 | - |
| 3 | 2.2 | 1765 | 182T | EM3211T | 4.2 | 32.3 | 8.9 | 87.5 | 89.5 | 89.5 | 53 | 66 | 73 | 6206 | 6205 | E1 | 15 | CD0005 | - |
| 3 | 2.2 | 1760 | 182T | EM3211TA | 4.4 | 31.3 | 8.9 | 88.6 | 89.9 | 89.5 | 53 | 67 | 75 | 6206 | 6205 | E | 15 | CD0007 | - |
| 3 | 2.2 | 1160 | 213T | EM3305T | 4.4 | 26.6 | 13.6 | 88.1 | 89.1 | 88.5 | 54 | 66 | 72 | 6307 | 6206 | E1 | 16.32 | CD0005 | - |
| 5 | 3.7 | 3450 | 182T | EM3212T | 6 | 50.7 | 7.7 | 86.7 | 87.6 | 86.5 | 81 | 88 | 91 | 6206 | 6205 | E | 13.62 | CD0005 | - |
| 5 | 3.7 | 1750 | 184T | EM3218T | 6.6 | 44.8 | 15 | 89.7 | 90.2 | 89.5 | 64 | 75 | 80 | 6206 | 6205 | E | 16.5 | CD0005 | - |
| 5 | 3.7 | 1750 | 184T | EM3218TA | 6.6 | 44.8 | 15 | 89.8 | 90.2 | 89.5 | 63 | 75 | 80 | 6206 | 6205 | E | 16.5 | CD0007 | - |
| 5 | 3.7 | 1160 | 215T | EM3309T | 7.4 | 53 | 22.5 | 89.7 | 90.1 | 89.5 | 53 | 65 | 71 | 6307 | 6206 | E | 17.45 | CD0005 | - |
| 7 1/2 | 5.6 | 3450 | 184T | EM3219T | 8.6 | 86.3 | 11.3 | 88.1 | 89.2 | 88.5 | 80 | 87 | 91 | 6206 | 6205 | E | 15 | CD0005 | - |
| 7 1/2 | 5.6 | 1770 | 213T | EM3311T | 9.7 | 68.2 | 22.1 | 90.5 | 91.4 | 91 | 62 | 73 | 79 | 6307 | 6206 | E | 16.32 | CD0005 | - |
| 7 1/2 | 5.6 | 1180 | 254T | EM2506T | 11 | 62.8 | 33.1 | 88.6 | 90.4 | 90.2 | 52 | 63 | 70 | 6309 | 6208 | E1 | 23.19 | CD0005 | - |
| 10 | 7.5 | 3500 | 213T | EM3312T | 11.4 | 98 | 15 | 90.9 | 92 | 91.7 | 81 | 87 | 90 | 6307 | 6206 | E | 17.45 | CD0005 | - |
| 10 | 7.5 | 1770 | 215T | EM3313T | 12.5 | 88.3 | 29.7 | 91.6 | 92.3 | 91.7 | 66 | 77 | 82 | 6307 | 6206 | E1 | 17.45 | CD0005 | - |
| 10 | 7.5 | 1180 | 256T | EM2511T | 14.3 | 91.8 | 44.4 | 91 | 92 | 91.7 | 54 | 65 | 71 | 6309 | 6208 | E1 | 23.19 | CD0180 | - |
| 15 | 11 | 3525 | 215T | EM3314T | 17.5 | 250 | 22.6 | 92.4 | 91.9 | 90.2 | 88 | 92 | 92 | 6307 | 6206 | E1 | 16.32 | CD0005 | - |
| 15 | 11 | 1765 | 254T | EM2513T | 17.7 | 118 | 44.6 | 93.3 | 93.5 | 93 | 70 | 81 | 86 | 6309 | 6208 | E1 | 21.69 | CD0180 | - |
| 15 | 11 | 1765 | 254T | EM2513T-CI | 17.8 | 115 | 44.6 | 93.1 | 93.4 | 93 | 70 | 81 | 85 | 6309 | 6208 | E1 | 20.63 | CD0180 | - |
| 15 | 11 | 1180 | 284T | EM2524T | 20.5 | 116 | 66.8 | 90.7 | 91.8 | 91.7 | 58 | 69 | 75 | 6311 | 6309 | E1 | 23.81 | CD0005 | - |
| 20 | 15 | 3510 | 254T | EM2514T | 23.5 | 153 | 29.6 | 90.1 | 91.2 | 91 | 74 | 83 | 87 | 6309 | 6208 | E1 | 21.69 | CD0180 | - |
| 20 | 15 | 1765 | 256T | EM2515T | 23.5 | 160.8 | 59.4 | 92.5 | 93.2 | 93 | 71 | 81 | 86 | 6309 | 6208 | E1 | 21.69 | CD0180 | - |
| 20 | 15 | 1765 | 256T | EM2515T-12 | 23.5 | 160.8 | 59.4 | 92.5 | 93.2 | 93 | 71 | 81 | 86 | 6309 | 6208 | E1 | 21.69 | CD0104 | 25 |
| 20 | 15 | 1765 | 256T | EM2515T-CI | 24 | 164 | 60 | 91.9 | 92.8 | 93 | 74 | 83 | 87 | 6309 | 6208 | E1 | 22.38 | CD0005 | - |
| 20 | 15 | 1180 | 286T | EM2528T | 27 | 165.4 | 88.1 | 92.7 | 93.3 | 92.4 | 59 | 72 | 77 | 6311 | 6309 | E1 | 23.81 | CD0180 | - |
| 25 | 19 | 3515 | 256T | EM2516T | 28 | 197 | 37.2 | 91.8 | 92.3 | 91.7 | 79 | 86 | 89 | 6309 | 6208 | E1 | 21.69 | CD0180 | - |
| 25 | 19 | 1760 | 284T | EM2531T | 29 | 180 | 74 | 93.2 | 93.9 | 93.6 | 72 | 82 | 86 | 6311 | 6309 | E1 | 23.81 | CD0180 | - |
| 25 | 19 | 1770 | 284T | EM2531T-12 | 29 | 180 | 74 | 93.2 | 93.9 | 93.6 | 72 | 82 | 86 | 6311 | 6309 | E1 | 23.81 | CD0104 | 25 |
| 25 | 19 | 1770 | 284T | EM2531T-CI | 31 | 189 | 74.4 | 92.6 | 93.6 | 93.6 | 66 | 77 | 81 | 6310 | 6309 | E1 | 23.44 | CD0005 | - |
| 25 | 19 | 1180 | 324T | EM2532T | 34 | 236 | 111 | 92.3 | 93.2 | 93 | 57 | 69 | 76 | 6312 | 6309 | E | 27.69 | CD0180 | - |
| 30 | 22 | 3530 | 284TS | EM2534T | 35 | 205 | 44.7 | 91.3 | 91.9 | 91.7 | 79 | 86 | 88 | 6311 | 6309 | E | 22.44 | CD0180 | - |
| 30 | 22 | 1770 | 286T | EM2535T | 35 | 223.6 | 88.9 | 93.6 | 94.2 | 94.1 | 72 | 82 | 85 | 6311 | 6309 | E1 | 25.06 | CD0005 | - |
| 30 | 22 | 1770 | 286T | EM2535T-12 | 35 | 223.6 | 88.9 | 93.6 | 94.2 | 94.1 | 72 | 82 | 85 | 6311 | 6309 | E1 | 25.06 | CD0104 | 25 |
| 30 | 22 | 1770 | 286T | EM2535T-CI | 35 | 210 | 89 | 93.8 | 94.2 | 94.1 | 75 | 84 | 86 | 6310 | 6309 | E1 | 24.94 | CD0180 | - |
| 30 | 22 | 1180 | 326T | EM2536T | 38 | 245.6 | 132 | 93.4 | 93.8 | 93.6 | 65 | 75 | 80 | 6312 | 6309 | E1 | 28.69 | CD0005 | - |
| 40 | 30 | 3530 | 286TS | EM2538T | 46 | 282 | 59.6 | 93.7 | 93.7 | 92.4 | 82 | 88 | 89 | 6311 | 6309 | E | 22.44 | CD0180 | - |
| 40 | 30 | 3540 | 286TS | EM2538T-CI | 45 | 331 | 59.9 | 96.1 | 95.8 | 94.1 | 78 | 85 | 88 | 6310 | 6309 | E | 23.57 | CD0180 | - |
| 40 | 30 | 1770 | 324T | EM2539T | 49 | 330 | 119 | 94 | 94.5 | 94.1 | 65 | 76 | 82 | 6312 | 6309 | E1 | 27.19 | CD0005 | - |
| 40 | 30 | 1770 | 324T | EM2539T-12 | 47 | 316 | 119 | 94.6 | 94.8 | 94.1 | 68 | 79 | 84 | 6312 | 6309 | E1 | 27.19 | CD0104 | 25 |
| 40 | 30 | 1775 | 324T | EM2539T-CI | 46 | 313 | 118 | 94.2 | 94.8 | 94.5 | 72 | 82 | 86 | 6311 | 6311 | E1 | 26.13 | CD0180 | - |
| 40 | 30 | 1180 | 364T | EM2540T | 51 | 337 | 178 | 93.1 | 94.1 | 94.1 | 64 | 74 | 79 | 6313 | 6311 | E1 | 29.81 | CD0005 | - |
| 40 | 30 | 1190 | 364T | EM2540T-CI | 49.4 | 290 | 177 | 93.2 | 94.1 | 94.1 | 69 | 77 | 81 | 6313 | 6313 | E1 | 29.7 | 416820-2 | - |

NOTE: Volt Code: E = 208-230/460V, 60Hz; E1 = 230/460V, 60Hz, usable at 208V

25 = Wye Start Delta Run

See page 77 for Layout drawing. See page 93 for Connection Diagrams.

Efficiencies shown are nominal. Data subject to change without notice. Contact Baldor for certified data.

Shaded ratings are cast iron frames.



ODP – Open Drip Proof
Foot Mounted, 230/460, 460 & 575 Volts, Three Phase, 1 - 300 Hp

| Hp | kW | RPM | Frame | Catalog No. | Amps @ High V | | Full Load Torque Lb. Ft. | Efficiency % | | | Power Factor % | | | Bearings | | Volt Code | "C" Dim. | Conn. Diag. No. | Notes |
|--|------|------|-------|-------------|---------------|--------------|--------------------------|--------------|------|-----------|----------------|-----|-----------|----------|------|-----------|----------|-----------------|-------|
| | | | | | Full Load | Locked Rotor | | 1/2 | 3/4 | Full Load | 1/2 | 3/4 | Full Load | DE | ODE | | | | |
| 230/460 & 460 Volts (continued) | | | | | | | | | | | | | | | | | | | |
| 50 | 37 | 3525 | 324TS | EM2542T | 56 | 376 | 74.7 | 94.4 | 94.1 | 93 | 83 | 88 | 90 | 6312 | 6309 | E | 25.69 | CD0180 | - |
| 50 | 37 | 3540 | 324TS | EM2542T-CI | 56 | 383 | 74.1 | 93.7 | 94.2 | 93 | 80 | 86 | 89 | 6311 | 6311 | E | 24.62 | CD0180 | - |
| 50 | 37 | 1775 | 326T | EM2543T | 57 | 378 | 148 | 94.5 | 94.9 | 94.5 | 75 | 84 | 87 | 6312 | 6311 | E1 | 27.69 | CD0180 | - |
| 50 | 37 | 1775 | 326T | EM2543T-12 | 61 | 422 | 148 | 93.5 | 94.4 | 94.5 | 67 | 77 | 82 | 6312 | 6311 | E1 | 27.69 | CD0104 | 25 |
| 50 | 37 | 1775 | 326T | EM2543T-CI | 57 | 379 | 148 | 94.5 | 94.7 | 94.5 | 74 | 83 | 86 | 6311 | 6311 | E1 | 27.63 | CD0180 | - |
| 50 | 37 | 1775 | 326TS | EM2543TS-12 | 61 | 422 | 148 | 93.5 | 94.4 | 94.5 | 67 | 77 | 82 | 6312 | 6311 | E1 | 26.19 | CD0104 | 25 |
| 50 | 37 | 1185 | 365T | EM2544T | 62 | 391 | 221 | 93.7 | 94.7 | 94.1 | 67 | 76 | 79 | 6313 | 6312 | E1 | 33.72 | CD0180 | - |
| 50 | 37 | 1185 | 365T | EM2544T-CI | 60.3 | 353 | 222 | 94.3 | 94.5 | 94.1 | 68 | 78 | 83 | 6313 | 6313 | F | 29.7 | 416820-2 | - |
| 60 | 45 | 3540 | 326TS | EM2546T | 68 | 465 | 89.4 | 93.6 | 94 | 93.6 | 85 | 89 | 91 | 6312 | 6311 | F | 25.19 | CD0180 | - |
| 60 | 45 | 1775 | 364T | EM2547T | 68 | 470 | 177 | 94.9 | 95.3 | 95 | 77 | 85 | 87 | 6313 | 6311 | E1 | 30.69 | CD0180 | - |
| 60 | 45 | 1775 | 364T | EM2547T-12 | 68 | 470 | 177 | 94.9 | 95.3 | 95 | 77 | 85 | 87 | 6313 | 6311 | E1 | 30.69 | CD0104 | 25 |
| 60 | 45 | 1780 | 364T | EM2547T-CI | 69.5 | 435 | 177 | 95.1 | 95.3 | 95 | 73 | 82 | 85 | 6313 | 6313 | F | 29.7 | 416820-2 | - |
| 60 | 45 | 1775 | 364TS | EM2547TS-12 | 68 | 470 | 177 | 94.9 | 95.3 | 95 | 77 | 85 | 87 | 6313 | 6311 | E1 | 28.56 | CD0104 | 25 |
| 60 | 45 | 1185 | 404T | EM2548T | 76 | 520 | 266 | 94.3 | 94.8 | 94.5 | 63 | 74 | 79 | 6316 | 6312 | F | 34.47 | CD0180 | - |
| 60 | 45 | 1185 | 404T | EM2548T-4CI | 70.4 | 425 | 266 | 94.4 | 94.8 | 95 | 72 | 81 | 84 | 6316 | 6316 | G | 34 | 416820-8 | - |
| 75 | 56 | 3540 | 364TS | EM2549T | 82 | 556 | 111 | 95.1 | 95 | 93.6 | 86 | 90 | 91 | 6313 | 6311 | F | 25.81 | CD0180 | - |
| 75 | 56 | 1775 | 365T | EM2551T | 87 | 512 | 222 | 95.5 | 95.7 | 95 | 78 | 84 | 87 | 6313 | 6312 | E1 | 33.72 | CD0180 | - |
| 75 | 56 | 1775 | 365T | EM2551T-12 | 85 | 512 | 222 | 95.5 | 96 | 95 | 77 | 83 | 87 | 6313 | 6312 | F | 33.72 | CD0104 | 25 |
| 75 | 56 | 1780 | 365T | EM2551T-CI | 86.5 | 536 | 221 | 95.3 | 95.4 | 95 | 74 | 82 | 86 | 6313 | 6313 | F | 29.69 | 416820-2 | - |
| 75 | 56 | 1775 | 365TS | EM2551TS-12 | 85 | 512 | 222 | 95.5 | 96 | 95 | 77 | 83 | 87 | 6313 | 6312 | F | 31.59 | CD0104 | 25 |
| 75 | 56 | 1185 | 405T | EM2552T-4 | 86.9 | 541 | 332 | 95 | 95.3 | 95 | 73 | 82 | 85 | 6316 | 6316 | G | 34 | 416820-8 | 25 |
| 100 | 75 | 3540 | 365TS | EM2550T | 109 | 748 | 148 | 95.1 | 95 | 94.5 | 86 | 90 | 91 | 6313 | 6311 | F | 26.81 | CD0180 | - |
| 100 | 75 | 1780 | 404T | EM2555T | 118 | 852 | 295 | 95.3 | 95.7 | 95.4 | 70 | 79 | 83 | 6316 | 6312 | F | 34.47 | CD0180 | - |
| 100 | 75 | 1780 | 404T | EM2555T-12 | 118 | 852 | 295 | 95.3 | 95.7 | 95.4 | 70 | 79 | 83 | 6316 | 6312 | F | 36.97 | CD0104 | 25 |
| 100 | 75 | 1780 | 404T | EM2555T-4 | 115 | 765 | 295 | 95.4 | 95.8 | 95.4 | 73 | 82 | 85 | 6316 | 6312 | G | 36.97 | CD0382 | 25 |
| 100 | 75 | 1785 | 404T | EM2555T-CI | 115 | 725 | 294 | 95.4 | 95.7 | 95.4 | 74 | 82 | 85 | 6316 | 6316 | F | 34 | 416820-2 | - |
| 100 | 75 | 1780 | 404TS | EM2555TS-12 | 118 | 852 | 295 | 95.3 | 95.7 | 95.4 | 70 | 79 | 83 | 6316 | 6312 | F | 33.97 | CD0104 | 25 |
| 100 | 75 | 1185 | 444T | EM2583T-4 | 116 | 700 | 443 | 94.9 | 95.3 | 95 | 72 | 81 | 85 | 6318 | 6318 | G | 39.56 | 416820-8 | 25 |
| 125 | 93 | 3540 | 404TS | EM2554T-4 | 143 | 1017 | 184 | 92.9 | 93.5 | 94.1 | 87 | 91 | 91 | 6312 | 6312 | G | 31.85 | CD0382 | 25 |
| 125 | 93 | 3565 | 404TS | EM2554T-4CI | 143 | 834 | 184 | 94.8 | 95.2 | 95 | 78 | 84 | 86 | 6313 | 6313 | G | 31 | 416820-36 | - |
| 125 | 93 | 1775 | 405T | EM2559T-4 | 143 | 914 | 369 | 95.5 | 95.7 | 95.4 | 77 | 84 | 86 | 6316 | 6312 | G | 34.47 | CD0382 | 25 |
| 125 | 93 | 1785 | 405T | EM2559T-4CI | 141 | 897 | 368 | 95.9 | 96 | 95.4 | 77 | 85 | 87 | 6316 | 6316 | G | 34 | 416820-36 | - |
| 125 | 93 | 1775 | 405TS | EM2559TS-4 | 143 | 914 | 369 | 95.5 | 95.7 | 95.4 | 77 | 84 | 86 | 6316 | 6312 | G | 34.97 | CD0382 | 25 |
| 125 | 93 | 1185 | 445T | EM2557T-4 | 146 | 944 | 552 | 95.7 | 96 | 95 | 72 | 81 | 83 | 6318 | 6318 | G | 39.56 | 416820-8 | 25 |
| 150 | 112 | 3560 | 405TS | EM2556T-4 | 164 | 1265 | 221 | 95.8 | 96.1 | 95.8 | 81 | 87 | 89 | 6312 | 6312 | G | 34.6 | CD0382 | 25 |
| 150 | 112 | 1785 | 444T | EM2558T-4 | 170 | 1085 | 441 | 96.1 | 96.4 | 96.2 | 74 | 82 | 86 | 6318 | 6318 | G | 39.56 | 416820-36 | - |
| 150 | 112 | 1785 | 444TS | EM2558TS-4 | 170 | 1085 | 441 | 96.1 | 96.4 | 96.2 | 74 | 82 | 86 | 6318 | 6318 | G | 34 | 416820-36 | - |
| 150 | 112 | 1185 | 445T | EM2560T-4 | 175 | 1070 | 664 | 95.4 | 95.6 | 95.4 | 71 | 80 | 84 | 6318 | 6318 | G | 39.56 | 416820-8 | 25 |
| 200 | 149 | 3565 | 444TS | EM2562T-4 | 221 | 1282 | 295 | 95.8 | 95.9 | 95.4 | 87 | 90 | 89 | 6313 | 6313 | G | 35.81 | 416820-8 | 25 |
| 200 | 149 | 1785 | 445T | EM2563T-4 | 222 | 1316 | 588 | 96.2 | 96.3 | 95.8 | 82 | 87 | 88 | 6318 | 6318 | G | 39.56 | 416820-8 | 25 |
| 200 | 149 | 1190 | 447T | EM2564T-4 | 232 | 1401 | 884 | 95.7 | 95.9 | 95.4 | 72 | 81 | 85 | 6318 | 6318 | G | 43.06 | 416820-8 | 25 |
| 250 | 186 | 1785 | 447T | EM25254T-4 | 275 | 1802 | 736 | 96.5 | 96.6 | 96.2 | 84 | 88 | 88 | 6318 | 6318 | G | 43.06 | 416820-8 | 25 |
| 300 | 224 | 1780 | 449T | EM25694T-4 | 330 | 2131 | 884 | 96.7 | 96.7 | 96.2 | 85 | 88 | 89 | 6318 | 6318 | G | 48.06 | 416820-8 | 25 |
| 575 Volts | | | | | | | | | | | | | | | | | | | |
| 1 | 0.75 | 1760 | 143T | EM3116T-5 | 1.2 | 9.7 | 3 | 81.9 | 84.8 | 85.5 | 49 | 62 | 71 | 6205 | 6203 | H | 11.12 | CD0006 | - |
| 1 1/2 | 1.1 | 1755 | 145T | EM3154T-5 | 1.8 | 14 | 4.5 | 83.3 | 85.9 | 86.5 | 50 | 64 | 72 | 6205 | 6203 | H | 11.62 | CD0006 | - |
| 2 | 1.5 | 1750 | 145T | EM3157T-5 | 2.3 | 17.6 | 6 | 84.3 | 86.4 | 86.5 | 54 | 68 | 76 | 6205 | 6203 | H | 12.12 | CD0006 | - |
| 3 | 2.2 | 1765 | 182T | EM3211T-5 | 3.4 | 26.2 | 8.9 | 87.5 | 89.5 | 89.5 | 53 | 66 | 73 | 6206 | 6205 | H | 15 | CD0006 | - |
| 5 | 3.7 | 1750 | 184T | EM3218T-5 | 5.3 | 35.7 | 15 | 89.3 | 89.7 | 89.5 | 64 | 75 | 80 | 6206 | 6205 | H | 16.5 | CD0006 | - |
| 7 1/2 | 5.6 | 1770 | 213T | EM3311T-5 | 7.8 | 54.6 | 22.1 | 90.4 | 91.2 | 91 | 62 | 73 | 79 | 6307 | 6206 | H | 16.32 | CD0006 | - |
| 10 | 7.5 | 1770 | 215T | EM3313T-5 | 10 | 71.7 | 29.7 | 91.7 | 92.3 | 91.7 | 66 | 77 | 82 | 6307 | 6206 | H | 17.45 | CD0006 | - |
| 15 | 11 | 1765 | 254T | EM2513T-5 | 14.1 | 94 | 44.6 | 93.3 | 93.5 | 93 | 65 | 77 | 86 | 6309 | 6208 | H | 21.69 | CD0006 | - |
| 20 | 15 | 1765 | 256T | EM2515T-5 | 18.9 | 130 | 59.4 | 92.5 | 93.2 | 93 | 65 | 82 | 85 | 6309 | 6208 | H | 21.69 | CD0006 | - |
| 25 | 19 | 1770 | 284T | EM2531T-5 | 24.2 | 155 | 74 | 93.4 | 94.2 | 93.6 | 62 | 73 | 82 | 6311 | 6309 | H | 23.81 | CD0006 | - |
| 30 | 22 | 1770 | 286T | EM2535T-5 | 28 | 179 | 88.9 | 93.6 | 94.2 | 94.1 | 72 | 82 | 85 | 6311 | 6309 | H | 25.06 | CD0006 | - |
| 40 | 30 | 1770 | 324T | EM2539T-5 | 40 | 272 | 119 | 93.2 | 94 | 94.1 | 63 | 75 | 81 | 6312 | 6309 | H | 27.19 | CD0006 | - |
| 50 | 37 | 1775 | 326T | EM2543T-5 | 46 | 305 | 148 | 93.5 | 94.4 | 94.5 | 69 | 79 | 86 | 6312 | 6311 | H | 27.69 | CD0006 | - |
| 60 | 45 | 1775 | 364T | EM2547T-5 | 56 | 376 | 177 | 94.9 | 95.3 | 95 | 77 | 85 | 87 | 6313 | 6311 | H | 30.69 | CD0006 | - |
| 75 | 56 | 1775 | 365T | EM2551T-5 | 68 | 401 | 222 | 95.4 | 95.9 | 95 | 78 | 84 | 87 | 6313 | 6312 | H | 33.72 | CD0006 | - |
| 100 | 75 | 1780 | 404T | EM2555T-5 | 93 | 646 | 295 | 95.4 | 95.6 | 95.4 | 73 | 81 | 85 | 6316 | 6312 | H | 36.97 | CD0006 | - |
| 125 | 93 | 1775 | 405T | EM2559T-5 | 114 | 752 | 369 | 95.6 | 95.7 | 95.4 | 76 | 84 | 86 | 6313 | 6312 | H | 34.47 | CD0006 | - |
| 150 | 112 | 1785 | 444T | EM2558T-5 | 136 | 868 | 441 | 96.4 | 96.6 | 96.2 | 83 | 88 | 89 | 6318 | 6318 | H | 39.56 | 416820-36 | - |

NOTE: Volt Code: E = 208-230/460V, 60Hz; E1 = 230/460V, 60Hz, usable at 208V; F = 230/460V, 60 Hz; G=460V, 60 Hz; H=575V, 60Hz

25 = Wye Start Delta Run Shaded ratings are cast iron frames.

See page 77 for Layout drawing. See page 93 for Connection Diagrams.
 Efficiencies shown are nominal. Data subject to change without notice. Contact Baldor for certified data.

Open Drip Proof F2 Mounting



**ODP – Open Drip Proof
Foot Mounted, 230/460 Volts, Three Phase, 1 - 60 Hp**

| Hp | kW | RPM | Frame | Catalog No. | Amps @ High V | | Full Load Torque Lb. Ft. | Efficiency % | | | Power Factor % | | | Bearings | | Volt Code | “C” Dim. | Conn. Diag. No. |
|------------------------------|------|------|-------|-----------------|---------------|--------------|--------------------------|--------------|------|-----------|----------------|-----|-----------|----------|------|-----------|----------|-----------------|
| | | | | | Full Load | Locked Rotor | | 1/2 | 3/4 | Full Load | 1/2 | 3/4 | Full Load | DE | ODE | | | |
| 575 Volts (continued) | | | | | | | | | | | | | | | | | | |
| 1 | 0.75 | 1760 | 145T | EFM3116T | 1.5 | 12.1 | 3 | 82.1 | 84.8 | 85.5 | 49 | 62 | 71 | 6205 | 6203 | E | 11.12 | CD0005 |
| 1 1/2 | 1.1 | 1755 | 145T | EFM3154T | 2.2 | 12.6 | 4.5 | 83.5 | 86 | 86.5 | 50 | 63 | 72 | 6205 | 6203 | E1 | 11.62 | CD0005 |
| 2 | 1.5 | 1750 | 145T | EFM3157T | 2.9 | 19 | 6 | 84.4 | 86.6 | 86.5 | 51 | 64 | 73 | 6205 | 6203 | E1 | 12.12 | CD0005 |
| 3 | 2.2 | 1765 | 182T | EFM3211T | 4.2 | 32.3 | 8.9 | 87.5 | 89.5 | 89.5 | 53 | 66 | 73 | 6206 | 6205 | E1 | 15 | CD0005 |
| 5 | 3.7 | 1750 | 184T | EFM3218T | 6.6 | 44.8 | 15 | 89.7 | 90.2 | 89.5 | 64 | 75 | 80 | 6206 | 6205 | E | 16.5 | CD0005 |
| 7 1/2 | 5.6 | 1770 | 213T | EFM3311T | 9.7 | 68.2 | 22.1 | 90.5 | 91.4 | 91 | 62 | 73 | 79 | 6307 | 6206 | E1 | 16.32 | CD0005 |
| 10 | 7.5 | 1770 | 215T | EFM3313T | 12.5 | 88.3 | 29.7 | 91.6 | 92.3 | 91.7 | 66 | 77 | 82 | 6307 | 6206 | E1 | 17.45 | CD0005 |
| 15 | 11 | 1765 | 254T | EFM2513T | 17.7 | 118 | 44.6 | 93.3 | 93.5 | 93 | 70 | 81 | 86 | 6309 | 6208 | E1 | 21.69 | CD0180 |
| 20 | 15 | 1765 | 256T | EFM2515T | 23.5 | 160.8 | 59.4 | 92.5 | 93.2 | 93 | 71 | 81 | 86 | 6309 | 6208 | E1 | 21.69 | CD0180 |
| 25 | 19 | 1760 | 284T | EFM2531T | 29 | 180 | 74 | 93.2 | 93.9 | 93.6 | 72 | 82 | 86 | 6311 | 6309 | E1 | 23.81 | CD0180 |
| 30 | 22 | 1770 | 286T | EFM2535T | 35 | 223.6 | 88.9 | 93.6 | 94.2 | 94.1 | 72 | 82 | 85 | 6311 | 6309 | E1 | 25.06 | CD0005 |
| 40 | 30 | 1770 | 324T | EFM2539T | 49 | 330 | 119 | 94 | 94.5 | 94.1 | 65 | 76 | 82 | 6312 | 6309 | E1 | 27.19 | CD0005 |
| 50 | 37 | 1775 | 326T | EFM2543T | 57 | 378 | 148 | 94.5 | 94.9 | 94.5 | 75 | 84 | 87 | 6312 | 6311 | E1 | 27.69 | CD0180 |
| 60 | 45 | 1775 | 364T | EFM2547T | 68 | 470 | 177 | 94.9 | 95.3 | 95 | 77 | 85 | 87 | 6313 | 6311 | E1 | 30.69 | CD0180 |

NOTES: Volt Code: E = 208-230/460V, 60Hz; E1 = 230/460V, 60Hz, usable at 208V
Contact Baldor for Layout drawings. See page 93 for Connection Diagrams.
Efficiencies shown are nominal. Data subject to change without notice. Contact Baldor for certified data.

Open Drip Proof C-Face Foot Mounted



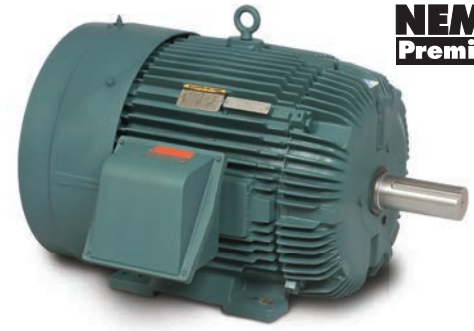
**ODP – Open Drip Proof
230/460 Volts, Three Phase, 1 - 100 Hp**

| Hp | kW | RPM | Frame | Catalog No. | Amps @ High V | | Full Load Torque Lb. Ft. | Efficiency % | | | Power Factor % | | | Bearings | | Volt Code | “C” Dim. | Conn. Diag. No. |
|-------|------|------|-------|-----------------|---------------|--------------|--------------------------|--------------|------|-----------|----------------|-----|-----------|----------|------|-----------|----------|-----------------|
| | | | | | Full Load | Locked Rotor | | 1/2 | 3/4 | Full Load | 1/2 | 3/4 | Full Load | DE | ODE | | | |
| 1 | 0.75 | 1760 | 143TC | CEM3116T | 1.5 | 12.1 | 2.97 | 82.1 | 84.8 | 85.5 | 49 | 62 | 71 | 6205 | 6203 | E | 11.62 | CD0005 |
| 1 1/2 | 1.1 | 1755 | 145TC | CEM3154T | 2.2 | 17.5 | 4.46 | 83.5 | 86 | 86.5 | 50 | 63 | 72 | 6205 | 6203 | E1 | 11.62 | CD0005 |
| 2 | 1.5 | 1750 | 145TC | CEM3157T | 2.9 | 24.3 | 5.96 | 84.4 | 86.6 | 86.5 | 51 | 64 | 73 | 6205 | 6203 | E1 | 12.12 | CD0005 |
| 3 | 2.2 | 3450 | 145TC | CEM3158T | 3.8 | 32.5 | 4.5 | 84.3 | 86 | 85.5 | 72 | 82 | 87 | 6205 | 6203 | E | 13 | CD0005 |
| 3 | 2.2 | 1765 | 182TC | CEM3211T | 4.2 | 32.3 | 8.87 | 87.5 | 89.5 | 89.5 | 53 | 66 | 73 | 6206 | 6205 | E1 | 15 | CD0005 |
| 5 | 3.7 | 3450 | 182TC | CEM3212T | 6 | 50.7 | 7.66 | 86.7 | 87.6 | 86.5 | 81 | 88 | 91 | 6206 | 6205 | E | 13.62 | CD0005 |
| 5 | 3.7 | 1750 | 184TC | CEM3218T | 6.6 | 44.8 | 15 | 89.7 | 90.2 | 89.5 | 64 | 75 | 80 | 6206 | 6205 | E | 16.5 | CD0005 |
| 7 1/2 | 5.6 | 3450 | 184TC | CEM3219T | 8.6 | 86.3 | 11.3 | 88.1 | 89.2 | 88.5 | 80 | 87 | 91 | 6206 | 6205 | E | 15 | CD0005 |
| 7 1/2 | 5.6 | 1770 | 213TC | CEM3311T | 9.7 | 68.2 | 22.1 | 90.5 | 91.4 | 91 | 62 | 73 | 79 | 6307 | 6206 | E | 17.06 | CD0005 |
| 10 | 7.5 | 3500 | 213TC | CEM3312T | 11.4 | 98 | 15 | 90.9 | 92 | 91.7 | 84 | 87 | 90 | 6307 | 6206 | E | 18.19 | CD0005 |
| 10 | 7.5 | 1770 | 215TC | CEM3313T | 12.5 | 88.3 | 29.7 | 91.6 | 92.3 | 91.7 | 66 | 77 | 82 | 6307 | 6206 | E | 18.19 | CD0005 |
| 15 | 11 | 3525 | 215TC | CEM3314T | 17.5 | 143 | 22.5 | 91.9 | 92.3 | 90.2 | 80 | 87 | 89 | 6307 | 6206 | E1 | 17.06 | CD0005 |
| 15 | 11 | 1765 | 254TC | CEM2513T | 17.7 | 118 | 44.6 | 93.3 | 93.5 | 93 | 70 | 81 | 86 | 6309 | 6208 | E | 21.69 | CD0005 |
| 20 | 15 | 3510 | 254TC | CEM2514T | 23.5 | 153 | 29.6 | 90.1 | 91.2 | 91 | 74 | 83 | 87 | 6309 | 6208 | E1 | 21.69 | CD0180 |
| 20 | 15 | 1765 | 256TC | CEM2515T | 23.5 | 160.8 | 59.4 | 92.5 | 93.2 | 93 | 71 | 81 | 86 | 6309 | 6208 | E1 | 21.69 | CD0180 |
| 25 | 19 | 3515 | 256TC | CEM2516T | 28 | 197 | 37.2 | 91.8 | 92.3 | 91.7 | 79 | 86 | 89 | 6309 | 6208 | E1 | 21.69 | CD0180 |
| 25 | 19 | 1760 | 284TC | CEM2531T | 29 | 180 | 74 | 93.2 | 93.9 | 93.6 | 72 | 82 | 86 | 6311 | 6309 | E1 | 23.81 | CD0180 |
| 30 | 22 | 1770 | 286TC | CEM2535T | 35 | 223.6 | 88.9 | 93.6 | 94.2 | 94.1 | 72 | 82 | 85 | 6311 | 6309 | E1 | 25.06 | CD0005 |
| 40 | 30 | 1775 | 324TC | CEM2539T | 47 | 280 | 118 | 93.6 | 94.4 | 94.1 | 76 | 82 | 84 | 6312 | 6311 | E1 | 26.69 | CD0180 |
| 50 | 37 | 1775 | 326TC | CEM2543T | 57 | 378 | 148 | 94.5 | 94.9 | 94.5 | 75 | 84 | 87 | 6312 | 6311 | E1 | 27.69 | CD0180 |
| 60 | 45 | 1775 | 364TC | CEM2547T | 68 | 470 | 177 | 94.9 | 95.3 | 95 | 77 | 85 | 87 | 6313 | 6311 | E1 | 30.69 | CD0180 |
| 75 | 56 | 1775 | 365TC | CEM2551T | 87 | 512 | 222 | 95.5 | 95.7 | 95 | 78 | 84 | 87 | 6313 | 6312 | F | 33.72 | CD0180 |
| 100 | 75 | 1780 | 404TC | CEM2555T | 118 | 852 | 295 | 95.3 | 95.7 | 95.4 | 70 | 79 | 83 | 6313 | 6312 | F | 36.97 | CD0180 |

NOTES: Volt Code: E = 208-230/460V, 60Hz; E1 = 230/460V, 60Hz, usable at 208V; F = 230/460V, 60 Hz
Contact Baldor for Layout drawings. See page 93 for Connection Diagrams.
Efficiencies shown are nominal. Data subject to change without notice. Contact Baldor for certified data.

Severe Duty Super-E® ECP/XEX NEMA Premium® Efficient Motors

Baldor•Reliance Super-E, ECP motors have XEX designs that meet the demanding application requirements typically found in harsh processing environments. Features include cast iron construction, Oversized and rotatable cast iron conduit box, V-Ring shaft seal, Stainless steel nameplate and Corrosion resistant hardware and epoxy finish. Super-E electrical designs have 1.15 service factors and a Class F Insulation system that is Inverter Ready and meets NEMA MG 1 Part 31.4.4.2.



TEFC – Totally Enclosed Fan Cooled Foot Mounted, 230/460 Volts, Three Phase, 1-125 Hp

| Hp | kW | RPM | Frame | Catalog No. | Amps @ High V | | F.L. Torque Lb. Ft. | Efficiency % | | | Power Factor % | | | Bearings | | Volt Code | "C" Dim. | Conn. Diag. No. | Notes |
|-------|------|------|-------|-------------|---------------|-------|---------------------|--------------|------|------|----------------|-----|------|----------|------|-----------|----------|-----------------|-------|
| | | | | | F.L. | L.R. | | 1/2 | 3/4 | F.L. | 1/2 | 3/4 | F.L. | DE | ODE | | | | |
| 1 | 0.75 | 3450 | 143T | ECP3580T | 1.4 | 12.1 | 1.5 | 80.6 | 84 | 84 | 65 | 77 | 83 | 6205 | 6205 | E | 12.88 | CD0005 | - |
| 1 | 0.75 | 1765 | 143T | ECP3581T | 1.5 | 15 | 3 | 84.4 | 87 | 87.5 | 48 | 60 | 70 | 6205 | 6205 | E | 12.88 | CD0005 | - |
| 1 | 0.75 | 1150 | 145T | ECP3582T | 1.8 | 9.6 | 4.5 | 82.3 | 84 | 82.5 | 42 | 55 | 63 | 6205 | 6205 | E | 12.88 | CD0005 | - |
| 1 1/2 | 1.1 | 3450 | 143T | ECP3583T | 2 | 20.1 | 2.3 | 81.3 | 84.3 | 85.5 | 68 | 78 | 83 | 6205 | 6205 | E | 12.88 | CD0005 | - |
| 1 1/2 | 1.1 | 1760 | 145T | ECP3584T | 2.1 | 18 | 4.5 | 86.8 | 88.4 | 88.5 | 54 | 67 | 76 | 6205 | 6205 | E | 12.88 | CD0005 | - |
| 1 1/2 | 1.1 | 1170 | 182T | ECP3667T | 2.5 | 16.2 | 6.8 | 84.8 | 86.9 | 87.5 | 44 | 56 | 64 | 6206 | 6206 | E | 15.93 | CD0005 | - |
| 2 | 1.5 | 3450 | 145T | ECP3586T | 2.5 | 30 | 3 | 83.8 | 86.2 | 86.5 | 70 | 80 | 85 | 6205 | 6205 | E | 12.88 | CD0005 | - |
| 2 | 1.5 | 1755 | 145T | ECP3587T | 2.8 | 25 | 6 | 86.9 | 88.5 | 88.5 | 54 | 67 | 75 | 6205 | 6205 | E | 12.88 | CD0005 | - |
| 2 | 1.5 | 1165 | 184T | ECP3664T | 3.2 | 20.9 | 9 | 96.9 | 88.5 | 88.5 | 48 | 60 | 68 | 6206 | 6206 | F | 15.93 | CD0005 | - |
| 3 | 2.2 | 3500 | 182T | ECP3660T | 3.4 | 32 | 4.5 | 87.5 | 89.1 | 88.5 | 83 | 89 | 92 | 6206 | 6206 | E1 | 15.93 | CD0005 | - |
| 3 | 2.2 | 1760 | 182T | ECP3661T | 4.2 | 33 | 9 | 88.9 | 90.4 | 90.2 | 54 | 66 | 74 | 6206 | 6206 | E1 | 15.93 | CD0005 | - |
| 3 | 2.2 | 1165 | 213T | ECP3764T | 4.5 | 30.9 | 13.5 | 89.5 | 90.4 | 90.2 | 52 | 64 | 70 | 6307 | 6307 | E1 | 19.5 | CD0005 | - |
| 5 | 3.7 | 3490 | 184T | ECP3663T | 5.7 | 64.8 | 7.5 | 89.4 | 90.8 | 90.2 | 76 | 85 | 90 | 6206 | 6205 | E1 | 15.93 | CD0005 | - |
| 5 | 3.7 | 1750 | 184T | ECP3665T | 6.6 | 54 | 14.9 | 90.3 | 91.2 | 89.5 | 60 | 73 | 80 | 6206 | 6206 | E | 15.93 | CD0005 | - |
| 5 | 3.7 | 1160 | 215T | ECP3768T | 7.3 | 51.9 | 22.8 | 90.3 | 91 | 90.2 | 54 | 65 | 72 | 6307 | 6307 | E1 | 19.5 | CD0005 | - |
| 7 1/2 | 5.6 | 3510 | 213T | ECP3769T | 8.6 | 61.1 | 11.1 | 91.3 | 92.1 | 91.7 | 77 | 85 | 88 | 6307 | 6206 | F | 19.32 | CD0005 | - |
| 7 1/2 | 5.6 | 1770 | 213T | ECP3770T | 9.5 | 68 | 22.1 | 91.6 | 92.3 | 91.7 | 65 | 76 | 81 | 6307 | 6307 | F | 19.5 | CD0005 | - |
| 7 1/2 | 5.6 | 1180 | 254T | ECP2276T | 10.7 | 69.7 | 32.4 | 89.7 | 91.5 | 91.7 | 52 | 63 | 70 | 6309 | 6309 | E1 | 24.69 | CD0005 | - |
| 10 | 7.5 | 3500 | 215T | ECP3771T | 11 | 120 | 15 | 92.7 | 92.9 | 92.4 | 82 | 89 | 92 | 6307 | 6307 | F | 19.5 | CD0005 | - |
| 10 | 7.5 | 1760 | 215T | ECP3774T | 12.5 | 88.5 | 29.8 | 92.9 | 93.1 | 92.4 | 67 | 78 | 82 | 6307 | 6307 | F | 19.5 | CD0005 | - |
| 10 | 7.5 | 1180 | 256T | ECP2332T | 14.2 | 93 | 44.4 | 90.2 | 91.6 | 91.7 | 55 | 66 | 72 | 6309 | 6309 | E1 | 24.69 | CD0180 | - |
| 15 | 11 | 3525 | 254T | ECP2294T | 17.2 | 128 | 22.2 | 90.8 | 91.9 | 91.7 | 78 | 86 | 88 | 6309 | 6309 | E1 | 24.69 | CD0180 | - |
| 15 | 11 | 1765 | 254T | ECP2333T | 18.5 | 122.9 | 44.6 | 91.9 | 92.6 | 92.4 | 66 | 77 | 82 | 6309 | 6309 | E1 | 24.69 | CD0005 | - |
| 15 | 11 | 1180 | 284T | ECP4100T | 19.7 | 130.1 | 66.7 | 91.9 | 93 | 93 | 59 | 70 | 77 | 6311 | 6311 | E1 | 27.93 | CD0180 | - |
| 20 | 15 | 3540 | 256T | ECP4106T | 22 | 165 | 29.8 | 91.5 | 92.2 | 92.4 | 83 | 91 | 92 | 6309 | 6309 | E1 | 24.69 | CD0180 | - |
| 20 | 15 | 1765 | 256T | ECP2334T | 24 | 175 | 59 | 92.8 | 93.1 | 93 | 69 | 80 | 84 | 6309 | 6309 | E1 | 24.69 | CD0005 | - |
| 20 | 15 | 1180 | 286T | ECP4102T | 26 | 171.6 | 89 | 92.5 | 93.3 | 93 | 61 | 72 | 78 | 6311 | 6311 | F | 27.93 | CD0180 | - |
| 25 | 19 | 3510 | 284TS | ECP4107T | 27 | 176 | 37.3 | 93.4 | 93.4 | 92.4 | 90 | 93 | 93 | 6311 | 6208 | E1 | 24.66 | CD0180 | - |
| 25 | 19 | 1770 | 284T | ECP4103T | 30 | 186 | 74.2 | 92.3 | 93.5 | 93.6 | 73 | 81 | 85 | 6311 | 6311 | E1 | 27.93 | CD0005 | - |
| 25 | 19 | 1180 | 324T | ECP4111T | 32 | 198 | 111 | 92.8 | 93.5 | 93 | 65 | 75 | 79 | 6312 | 6312 | E1 | 30.27 | CD0180 | - |
| 30 | 22 | 3520 | 286TS | ECP4108T | 33 | 215 | 44.5 | 93.2 | 93.6 | 93 | 83 | 88 | 90 | 6311 | 6311 | F | 26.56 | CD0180 | - |
| 30 | 22 | 1770 | 286T | ECP4104T | 36 | 246 | 89 | 93.8 | 94.4 | 94.1 | 66 | 75 | 83 | 6311 | 6311 | E1 | 27.93 | CD0005 | - |
| 30 | 22 | 1180 | 326T | ECP4117T | 39 | 243 | 133 | 92.5 | 93.2 | 93 | 62 | 73 | 78 | 6312 | 6312 | E1 | 30.27 | CD0005 | - |
| 40 | 30 | 3540 | 324TS | ECP4109T | 45 | 326 | 59.5 | 92.3 | 93.4 | 93.6 | 80 | 87 | 90 | 6312 | 6312 | F | 28.66 | CD0180 | - |
| 40 | 30 | 1775 | 324T | ECP4110T | 46 | 320 | 118 | 93.9 | 94.6 | 94.5 | 73 | 81 | 84 | 6312 | 6312 | E1 | 30.27 | CD0180 | - |
| 40 | 30 | 1190 | 364T | ECP4308T | 49.4 | 290 | 177 | 93.6 | 94.3 | 94.1 | 69 | 77 | 81 | 6313 | 6313 | F | 33.44 | 416820-2 | - |
| 50 | 37 | 3540 | 326TS | ECP4114T | 56 | 403 | 74.1 | 94 | 94.5 | 94.1 | 80 | 87 | 89 | 6312 | 6312 | E1 | 28.66 | CD0180 | - |
| 50 | 37 | 1775 | 326T | ECP4115T | 57 | 392 | 149 | 94.4 | 94.9 | 94.5 | 73 | 82 | 85 | 6312 | 6312 | E1 | 30.27 | CD0180 | - |
| 50 | 37 | 1185 | 365T | ECP4312T | 61.7 | 345 | 221 | 93.9 | 94.4 | 94.1 | 70 | 78 | 81 | 6313 | 6313 | F | 33.44 | 416820-2 | - |
| 60 | 45 | 3560 | 364TS | ECP4310T | 65.1 | 398 | 88.5 | 95.3 | 95.5 | 95 | 88 | 91 | 91 | 6313 | 6313 | F | 31.31 | 416820-2 | - |
| 60 | 45 | 1780 | 364T | ECP4314T | 68 | 430 | 177 | 95.2 | 95.3 | 95 | 79 | 85 | 87 | 6313 | 6313 | F | 33.44 | 416820-2 | - |
| 60 | 45 | 1185 | 404T | ECP4403T | 69 | 425 | 265 | 94.9 | 95.2 | 95 | 79 | 84 | 86 | 6316 | 6316 | F | 38.31 | 416820-2 | - |
| 75 | 56 | 3555 | 365TS | ECP4313T | 80.7 | 494 | 111 | 95.1 | 95.4 | 95 | 91 | 92 | 92 | 6313 | 6313 | F | 31.31 | 416820-2 | - |
| 75 | 56 | 1780 | 365T | ECP4316T | 85.9 | 542 | 221 | 95.7 | 95.8 | 95.4 | 77 | 84 | 86 | 6313 | 6313 | F | 33.44 | 416820-2 | - |
| 75 | 56 | 1185 | 405T | ECP4404T | 86.9 | 541 | 332 | 95 | 95.3 | 95 | 73 | 82 | 85 | 6316 | 6316 | F | 38.31 | 416820-2 | - |
| 100 | 75 | 3565 | 405TS | ECP4402T | 110 | 695 | 147 | 94.6 | 95.1 | 95 | 86 | 89 | 90 | 6313 | 6313 | F | 35.31 | 416820-2 | - |
| 125 | 93 | 3570 | 444TS | ECP4412T | 138 | 820 | 184 | 93.9 | 94.7 | 95 | 83 | 87 | 86 | 6313 | 6313 | F | 40.98 | 416820-2 | - |
| 125 | 93 | 3570 | 444TS | ECP4912T | 138 | 820 | 184 | 93.9 | 94.7 | 95 | 83 | 87 | 86 | 6313 | 6313 | F | 40.98 | 416820-2 | 99 |

NOTES: Volt Code: E = 208-230/460V, 60Hz; E1 = 230/460V, 60Hz, usable at 208V; F = 230/460V, 60 Hz

99 = Has F3 lead outlet hole and an arm mounted conduit box for easy F1 or F2 lead location.

See page 72 for Layout drawing. See page 93 for Connection Diagrams.

Efficiencies shown are nominal. Data subject to change without notice. Contact Baldor for certified data.

Shaded ratings are cast iron frames.

**TEFC – Totally Enclosed Fan Cooled
Foot Mounted, 460 & 575 Volt, Three Phase, 1 - 400 Hp**



| Hp | kW | RPM | Frame | Catalog No. | Amps @ High V | | F.L. Torque Lb. Ft. | Efficiency % | | | Power Factor % | | | Bearings | | “C” Dim. | Conn. Diag. No. | Notes |
|---------------------------------------|------|------|-------|-------------|---------------|-------|---------------------|--------------|------|------|----------------|-----|------|----------|------|----------|-----------------|-------|
| | | | | | F.L. | L.R. | | 1/2 | 3/4 | F.L. | 1/2 | 3/4 | F.L. | DE | ODE | | | |
| 460 Volt, Ball Bearing Designs | | | | | | | | | | | | | | | | | | |
| 1 | 0.75 | 3450 | 143T | ECP3580T-4 | 1.4 | 12.1 | 1.5 | 80.5 | 83.6 | 84 | 65 | 77 | 84 | 6205 | 6205 | 12.88 | CD0006 | - |
| 1 | 0.75 | 3450 | 143T | ENCP3580T-4 | 1.3 | 11.2 | 1.5 | 80.5 | 83.9 | 84 | 73 | 83 | 87 | 6205 | 6203 | 11.38 | CD0006 | 60 |
| 1 | 0.75 | 1765 | 143T | ECP3581T-4 | 1.5 | 15 | 3 | 84.4 | 87 | 87.5 | 48 | 60 | 70 | 6205 | 6205 | 12.88 | CD0006 | - |
| 1 | 0.75 | 1765 | 143T | ENCP3581T-4 | 1.5 | 15 | 3 | 83.6 | 86.7 | 87.5 | 48 | 60 | 70 | 6205 | 6203 | 11.36 | CD0006 | 60 |
| 1 | 0.75 | 1150 | 145T | ECP3582T-4 | 1.8 | 9.6 | 4.5 | 82.3 | 84 | 82.5 | 42 | 55 | 63 | 6205 | 6205 | 12.88 | CD0006 | - |
| 1 | 0.75 | 850 | 182T | ECP3687T-4 | 2 | 9.3 | 6.1 | 74.1 | 78.4 | 78.5 | 38 | 48 | 59 | 6206 | 6206 | 15.93 | CD0006 | - |
| 1 1/2 | 1.1 | 3450 | 143T | ECP3583T-4 | 2 | 20.1 | 2.3 | 81.3 | 84.3 | 85.5 | 68 | 78 | 83 | 6205 | 6205 | 12.88 | CD0006 | - |
| 1 1/2 | 1.1 | 1760 | 145T | ECP3584T-4 | 2.1 | 18 | 4.5 | 86.5 | 88.3 | 88.5 | 54 | 67 | 76 | 6205 | 6205 | 12.88 | CD0006 | - |
| 1 1/2 | 1.1 | 1170 | 182T | ECP3667T-4 | 2.5 | 16.2 | 6.8 | 85 | 87.1 | 87.5 | 44 | 56 | 65 | 6206 | 6206 | 15.93 | CD0006 | - |
| 1 1/2 | 1.1 | 860 | 184T | ECP3668T-4 | 3.2 | 10.4 | 9.2 | 77.3 | 80.3 | 80 | 36 | 48 | 55 | 6206 | 6206 | 15.93 | CD0006 | - |
| 2 | 1.5 | 3450 | 145T | ECP3586T-4 | 2.5 | 30 | 3 | 83.8 | 86.2 | 86.5 | 70 | 80 | 85 | 6205 | 6205 | 12.88 | CD0006 | - |
| 2 | 1.5 | 1755 | 145T | ECP3587T-4 | 2.8 | 25 | 6 | 86.9 | 88.5 | 88.5 | 54 | 67 | 75 | 6205 | 6205 | 12.88 | CD0006 | - |
| 2 | 1.5 | 1165 | 184T | ECP3664T-4 | 3.2 | 20.9 | 9 | 86.9 | 88.5 | 88.5 | 48 | 60 | 68 | 6206 | 6206 | 15.93 | CD0006 | - |
| 2 | 1.5 | 865 | 213T | ECP3772T-4 | 3.8 | 18.3 | 12.1 | 82.3 | 85.4 | 85.5 | 38 | 48 | 56 | 6307 | 6307 | 19.5 | CD0006 | - |
| 3 | 2.2 | 3500 | 182T | ECP3660T-4 | 3.4 | 34.5 | 4.5 | 87.5 | 89.1 | 88.5 | 83 | 89 | 92 | 6206 | 6206 | 15.93 | CD0006 | - |
| 3 | 2.2 | 1760 | 182T | ECP3661T-4 | 4.1 | 31.9 | 9 | 89.2 | 90.4 | 90.2 | 56 | 67 | 75 | 6206 | 6206 | 15.93 | CD0006 | - |
| 3 | 2.2 | 1165 | 213T | ECP3764T-4 | 4.5 | 31.5 | 13.5 | 88.4 | 89.8 | 89.5 | 53 | 64 | 70 | 6307 | 6307 | 19.5 | CD0006 | - |
| 3 | 2.2 | 865 | 215T | ECP3775T-4 | 5.2 | 25.6 | 18.4 | 85.6 | 87 | 85.5 | 43 | 55 | 62 | 6307 | 6307 | 19.5 | CD0006 | - |
| 5 | 3.7 | 3500 | 184T | ECP3663T-4 | 5.7 | 63.9 | 7.5 | 88.6 | 89.8 | 89.5 | 83 | 89 | 93 | 6206 | 6206 | 15.93 | CD0006 | - |
| 5 | 3.7 | 1750 | 184T | ECP3665T-4 | 6.6 | 54 | 15 | 89.7 | 90.7 | 89.5 | 62 | 74 | 80 | 6206 | 6206 | 15.93 | CD0006 | - |
| 5 | 3.7 | 1160 | 215T | ECP3768T-4 | 7.3 | 56.4 | 22.5 | 90.2 | 90.9 | 90.2 | 51 | 63 | 70 | 6307 | 6307 | 19.5 | CD0006 | - |
| 5 | 3.7 | 880 | 254T | ECP2280T-4 | 8.4 | 49.7 | 30.1 | 87.8 | 89.8 | 87.5 | 48 | 59 | 66 | 6309 | 6309 | 24.69 | CD0006 | - |
| 7 1/2 | 5.6 | 3525 | 213T | ECP3769T-4 | 8.6 | 86 | 11.2 | 90 | 91.4 | 91.7 | 79 | 87 | 90 | 6307 | 6307 | 19.5 | CD0006 | - |
| 7 1/2 | 5.6 | 1770 | 213T | ECP3770T-4 | 9.5 | 68 | 22.1 | 91.6 | 92.3 | 91.7 | 65 | 76 | 81 | 6307 | 6307 | 19.5 | CD0006 | - |
| 7 1/2 | 5.6 | 1180 | 254T | ECP2276T-4 | 10.7 | 70.1 | 33.3 | 90.6 | 91.8 | 91.7 | 53 | 65 | 71 | 6309 | 6309 | 24.69 | CD0006 | - |
| 7 1/2 | 5.6 | 880 | 256T | ECP2401T-4 | 11.9 | 64.7 | 45.1 | 89.2 | 90.6 | 90.2 | 52 | 64 | 68 | 6309 | 6309 | 24.69 | CD0006 | - |
| 10 | 7.5 | 3500 | 215T | ECP3771T-4 | 11 | 120 | 15 | 92.7 | 92.9 | 92.4 | 82 | 89 | 92 | 6307 | 6307 | 19.5 | CD0006 | - |
| 10 | 7.5 | 1760 | 215T | ECP3774T-4 | 12.5 | 96.9 | 29.7 | 92.2 | 92.7 | 92.4 | 69 | 79 | 83 | 6307 | 6307 | 19.5 | CD0006 | - |
| 10 | 7.5 | 1180 | 256T | ECP2332T-4 | 14.2 | 93 | 44.4 | 90.2 | 91.6 | 91.7 | 55 | 66 | 72 | 6309 | 6309 | 24.69 | CD0006 | - |
| 10 | 7.5 | 880 | 284T | ECP2402T-4 | 14.4 | 71.5 | 59.6 | 90.0 | 90.9 | 90.2 | 53 | 66 | 72 | 6311 | 6311 | 27.93 | CD0006 | - |
| 15 | 11 | 3525 | 254T | ECP2394T-4 | 17.2 | 128 | 22.2 | 90.8 | 91.9 | 91.7 | 78 | 86 | 88 | 6309 | 6309 | 24.69 | CD0006 | - |
| 15 | 11 | 1765 | 254T | ECP2333T-4 | 18.5 | 122.9 | 44.6 | 91.9 | 92.6 | 92.4 | 66 | 77 | 82 | 6309 | 6309 | 24.69 | CD0006 | - |
| 15 | 11 | 1180 | 284T | ECP4100T-4 | 19.8 | 130.1 | 66.7 | 91.9 | 93 | 93 | 59 | 70 | 77 | 6311 | 6311 | 27.93 | CD0006 | - |
| 15 | 11 | 880 | 286T | ECP2395T-4 | 21.5 | 120 | 89.4 | 89.8 | 90.8 | 90.2 | 49 | 62 | 72 | 6311 | 6311 | 27.93 | CD0006 | - |
| 20 | 15 | 3540 | 256T | ECP4106T-4 | 23 | 201 | 29.7 | 91.1 | 92.3 | 92.4 | 74 | 84 | 89 | 6309 | 6309 | 24.69 | CD0006 | - |
| 20 | 15 | 1765 | 256T | ECP2334T-4 | 24 | 175 | 59 | 92.8 | 93.1 | 93 | 69 | 80 | 84 | 6309 | 6309 | 24.69 | CD0006 | - |
| 20 | 15 | 1180 | 286T | ECP4102T-4 | 26 | 171.6 | 89 | 92.5 | 93.3 | 93 | 61 | 72 | 78 | 6311 | 6311 | 27.93 | CD0006 | - |
| 20 | 15 | 880 | 324T | ECP4112T-4 | 28 | 160 | 119 | 89.4 | 90.7 | 91 | 59 | 68 | 74 | 6312 | 6312 | 30.27 | CD0006 | - |
| 25 | 19 | 3530 | 284TS | ECP4107T-4 | 28 | 236 | 37.2 | 93 | 93.5 | 93 | 82 | 89 | 91 | 6309 | 6309 | 26.09 | CD0006 | - |
| 25 | 19 | 1770 | 284T | ECP4103T-4 | 30 | 187.6 | 74.2 | 92.4 | 93.6 | 93.6 | 72 | 81 | 84 | 6311 | 6311 | 27.93 | CD0006 | - |
| 25 | 19 | 1180 | 324T | ECP4111T-4 | 32 | 198 | 111 | 92.8 | 93.5 | 93 | 65 | 75 | 79 | 6312 | 6312 | 30.27 | CD0006 | - |
| 30 | 22 | 3520 | 286TS | ECP4108T-4 | 33 | 215 | 44.5 | 93.2 | 93.6 | 93 | 83 | 88 | 90 | 6311 | 6311 | 26.56 | CD0006 | - |
| 30 | 22 | 1770 | 286T | ECP4104T-4 | 36 | 246 | 89 | 93.8 | 94.4 | 94.1 | 66 | 75 | 83 | 6311 | 6311 | 27.93 | CD0006 | - |
| 30 | 22 | 1180 | 326T | ECP4117T-4 | 39 | 243 | 133 | 92.5 | 93.2 | 93 | 62 | 73 | 78 | 6312 | 6312 | 30.27 | CD0006 | - |
| 40 | 30 | 3540 | 324TS | ECP4109T-4 | 46 | 352 | 59.3 | 92.2 | 93.2 | 93 | 76 | 84 | 88 | 6312 | 6312 | 28.66 | CD0006 | - |
| 40 | 30 | 1775 | 324T | ECP4110T-4 | 46 | 320 | 118 | 93.9 | 94.6 | 94.5 | 73 | 81 | 84 | 6312 | 6312 | 30.27 | CD0006 | - |
| 40 | 30 | 1190 | 364T | ECP4308T-4 | 49.4 | 290 | 177 | 93.6 | 94.3 | 94.1 | 69 | 77 | 81 | 6313 | 6313 | 33.44 | 416820-36 | - |
| 50 | 37 | 3540 | 326TS | ECP4114T-4 | 56 | 403 | 74.1 | 93.7 | 94.4 | 94.1 | 80 | 87 | 89 | 6312 | 6312 | 28.66 | CD0006 | - |
| 50 | 37 | 1775 | 326T | ECP4115T-4 | 57 | 392 | 149 | 94.4 | 94.9 | 94.5 | 73 | 82 | 85 | 6312 | 6312 | 30.27 | CD0006 | - |
| 50 | 37 | 1185 | 365T | ECP4312T-4 | 61.7 | 345 | 221 | 93.9 | 94.4 | 94.1 | 70 | 78 | 81 | 6313 | 6313 | 33.44 | 416820-36 | - |
| 60 | 45 | 3560 | 364TS | ECP4310T-4 | 65.1 | 398 | 88.5 | 95.3 | 95.5 | 95 | 88 | 91 | 91 | 6313 | 6313 | 31.31 | 416820-36 | - |
| 60 | 45 | 1780 | 364T | ECP4314T-4 | 68 | 430 | 177 | 95.2 | 95.3 | 95 | 79 | 85 | 87 | 6313 | 6313 | 33.44 | 416820-36 | - |
| 60 | 45 | 1185 | 404T | ECP4403T-4 | 69 | 425 | 265 | 94.9 | 95.2 | 95 | 79 | 84 | 86 | 6316 | 6316 | 38.31 | 416820-36 | - |
| 75 | 56 | 3555 | 365TS | ECP4313T-4 | 80.7 | 494 | 111 | 95.1 | 95.4 | 95 | 91 | 92 | 92 | 6313 | 6313 | 31.31 | 416820-36 | - |
| 75 | 56 | 1780 | 365T | ECP4316T-4 | 85.9 | 542 | 221 | 95.7 | 95.8 | 95.4 | 77 | 84 | 86 | 6313 | 6313 | 33.44 | 416820-36 | - |
| 75 | 56 | 1185 | 405T | ECP4404T-4 | 86.9 | 541 | 332 | 95 | 95.3 | 95 | 73 | 82 | 85 | 6316 | 6316 | 38.31 | 416820-36 | - |
| 100 | 75 | 3565 | 405TS | ECP4402T-4 | 110 | 695 | 147 | 94.6 | 95.1 | 95 | 86 | 89 | 90 | 6313 | 6313 | 35.31 | 416820-36 | - |
| 100 | 75 | 1785 | 405T | ECP4400T-4 | 112 | 725 | 295 | 95.4 | 95.7 | 95.4 | 83 | 87 | 88 | 6316 | 6316 | 38.31 | 416820-36 | - |
| 100 | 75 | 1185 | 405TS | ECP4400TS-4 | 112 | 725 | 295 | 95.4 | 95.7 | 95.4 | 83 | 87 | 88 | 6316 | 6316 | 35.31 | 416820-36 | - |
| 100 | 75 | 1190 | 444T | ECP4409T-4 | 119 | 723 | 442 | 95 | 95.3 | 95 | 68 | 78 | 83 | 6318 | 6318 | 44.75 | 416820-36 | - |
| 100 | 75 | 1188 | 444T | ECP4409T-4E | 115 | 725 | 442 | 94.7 | 95.2 | 95 | 77 | 84 | 86 | 6318 | 6318 | 44.62 | 416820-36 | 56 |
| 100 | 75 | 1190 | 444T | ECP4909T-4 | 119 | 723 | 442 | 95 | 95.3 | 95 | 68 | 78 | 83 | 6318 | 6318 | 44.75 | 416820-36 | 99 |

NOTES: 56 = Single Frame mounting holes in 447 and 449 frame
 60 = Totally Enclosed Non-Ventilated Enclosure (TENV)
 99 = Has F3 lead outlet hole and an arm mounted conduit box for easy F1 or F2 lead location.
 See page 93 for Connection Diagrams. See page 72 for Dimensions. Efficiencies shown are nominal. Data subject to change without notice. Contact Baldor for certified data.



TEFC – Totally Enclosed Fan Cooled
Foot Mounted, 460 & 575 Volt, Three Phase, 1 - 400 Hp

| Hp | kW | RPM | Frame | Catalog No. | Amps @ High V | | F.L. Torque Lb. Ft. | Efficiency % | | | Power Factor % | | | Bearings | | “C” Dim. | Conn. Diag. No. | Notes |
|---|-----|------|-------|--------------|---------------|------|---------------------|--------------|------|------|----------------|-----|------|----------|------|----------|-----------------|-------|
| | | | | | F.L. | L.R. | | 1/2 | 3/4 | F.L. | 1/2 | 3/4 | F.L. | DE | ODE | | | |
| 460 Volt, Ball Bearing Designs (continued) | | | | | | | | | | | | | | | | | | |
| 125 | 93 | 3570 | 444TS | ECP4412T-4 | 137 | 873 | 184 | 94.9 | 95.5 | 95 | 81 | 87 | 90 | 6313 | 6313 | 40.98 | 416820-36 | - |
| 125 | 93 | 3565 | 444TS | ECP4412T-4E | 137 | 848 | 184 | 94.7 | 95.4 | 95.4 | 85 | 89 | 89 | 6313 | 6313 | 40.88 | 416820-36 | 56 |
| 125 | 93 | 3570 | 444TS | ECP4912T-4 | 137 | 873 | 184 | 94.9 | 95.5 | 95 | 81 | 87 | 90 | 6313 | 6313 | 40.98 | 416820-36 | 99 |
| 125 | 93 | 1785 | 444T | ECP4410T-4 | 144 | 892 | 368 | 95.5 | 95.8 | 95.4 | 73 | 82 | 85 | 6318 | 6318 | 44.75 | 416820-36 | - |
| 125 | 93 | 1785 | 444T | ECP4410T-4E | 139 | 907 | 368 | 95.5 | 95.9 | 95.8 | 81 | 87 | 88 | 6318 | 6318 | 44.62 | 416820-36 | 56 |
| 125 | 93 | 1785 | 444T | ECP4910T-4 | 144 | 892 | 368 | 95.5 | 95.9 | 95.4 | 73 | 82 | 85 | 6318 | 6318 | 44.75 | 416820-36 | 99 |
| 125 | 93 | 1188 | 445T | ECP4411T-4 | 146 | 1022 | 552 | 94.9 | 95.4 | 95 | 68 | 80 | 84 | 6318 | 6318 | 44.75 | 416820-36 | - |
| 125 | 93 | 1190 | 445T | ECP4411T-4E | 143 | 907 | 551 | 95.3 | 95.7 | 95.4 | 74 | 82 | 86 | 6318 | 6318 | 44.62 | 416820-36 | 56 |
| 125 | 93 | 1188 | 445T | ECP4911T-4 | 146 | 1022 | 552 | 95.3 | 95.7 | 95 | 74 | 82 | 84 | 6318 | 6318 | 44.75 | 416820-36 | 99 |
| 150 | 112 | 3570 | 445TS | ECP4413T-4 | 164 | 1081 | 221 | 94.7 | 95.3 | 95 | 82 | 88 | 90 | 6313 | 6313 | 40.98 | 416820-36 | - |
| 150 | 112 | 3575 | 445TS | ECP4413T-4E | 164 | 980 | 220 | 95.6 | 96.2 | 96.2 | 84 | 88 | 89 | 6313 | 6313 | 40.88 | 416820-36 | 56 |
| 150 | 112 | 1785 | 445T | ECP4406T-4 | 169 | 1041 | 442 | 96 | 96.1 | 95.8 | 76 | 83 | 86 | 6318 | 6318 | 44.75 | 416820-36 | - |
| 150 | 112 | 1785 | 445T | ECP4406T-4E | 165 | 1085 | 441 | 96.4 | 96.6 | 96.2 | 83 | 88 | 89 | 6318 | 6318 | 44.62 | 416820-36 | 56 |
| 150 | 112 | 1785 | 445T | ECP4906T-4 | 169 | 1041 | 442 | 96 | 96.1 | 95.8 | 76 | 83 | 86 | 6318 | 6318 | 44.75 | 416820-36 | 99 |
| 150 | 112 | 1190 | 447T | ECP44156T-4 | 170 | 1025 | 663 | 96.3 | 96.2 | 95.8 | 77 | 84 | 86 | 6318 | 6318 | 48.24 | 416820-36 | - |
| 150 | 112 | 1190 | 447T | ECP44156T-4E | 174 | 1046 | 662 | 95.5 | 96 | 95.8 | 76 | 82 | 84 | 6318 | 6318 | 48.4 | 416820-36 | 56 |
| 150 | 112 | 1190 | 447T | ECP49156T-4 | 170 | 1025 | 663 | 96.3 | 96.2 | 95.8 | 77 | 84 | 86 | 6318 | 6318 | 48.24 | 416820-36 | 99 |
| 200 | 149 | 3570 | 447TS | ECP4416T-4 | 213 | 1426 | 294 | 96 | 96.3 | 96.2 | 84 | 89 | 91 | 6313 | 6313 | 44.48 | 416820-36 | - |
| 200 | 149 | 3570 | 447TS | ECP4916T-4 | 213 | 1426 | 294 | 96 | 96.3 | 96.2 | 84 | 89 | 91 | 6313 | 6313 | 44.48 | 416820-36 | 99 |
| 200 | 149 | 1785 | 447T | ECP4407T-4 | 223 | 1421 | 588 | 96.5 | 96.5 | 96.2 | 77 | 85 | 87 | 6318 | 6318 | 48.24 | 416820-36 | - |
| 200 | 149 | 1785 | 447T | ECP4407T-4E | 221 | 1466 | 589 | 96 | 96.3 | 96.2 | 84 | 87 | 88 | 6318 | 6318 | 48.4 | 416820-36 | 56 |
| 200 | 149 | 1785 | 447TS | ECP4407TS-4 | 223 | 1421 | 588 | 96.5 | 96.5 | 96.2 | 77 | 85 | 87 | 6318 | 6318 | 44.48 | 416820-36 | - |
| 200 | 149 | 1785 | 447T | ECP4907T-4 | 223 | 1421 | 588 | 96.5 | 96.5 | 96.2 | 77 | 85 | 87 | 6318 | 6318 | 48.24 | 416820-36 | 99 |
| 200 | 149 | 1785 | 447TS | ECP4907TS-4 | 223 | 1421 | 588 | 96.5 | 96.5 | 96.2 | 77 | 85 | 87 | 6318 | 6318 | 48.24 | 416820-36 | 99 |
| 200 | 149 | 1190 | 449T | ECP44206T-4 | 225 | 1404 | 883 | 96.1 | 96.2 | 95.8 | 78 | 84 | 87 | 6318 | 6318 | 53.24 | 416820-36 | - |
| 200 | 149 | 1190 | 449T | ECP49206T-4 | 225 | 1404 | 883 | 96.1 | 96.2 | 95.8 | 78 | 84 | 87 | 6318 | 6318 | 53.24 | 416820-36 | 99 |
| 250 | 186 | 3570 | 449TS | ECP44252T-4 | 269 | 1806 | 367 | 95.9 | 96.3 | 95.8 | 84 | 89 | 90 | 6313 | 6313 | 49.48 | 416820-36 | - |
| 250 | 186 | 3570 | 449TS | ECP49252T-4 | 269 | 1806 | 367 | 95.9 | 96.3 | 95.8 | 84 | 89 | 90 | 6313 | 6313 | 49.48 | 416820-36 | 99 |
| 250 | 186 | 1785 | 449T | ECP4408T-4 | 276 | 1765 | 736 | 96.7 | 96.6 | 96.2 | 78 | 85 | 88 | 6318 | 6318 | 53.24 | 416820-36 | - |
| 250 | 186 | 1780 | 449T | ECP4408T-4E | 272 | 1825 | 736 | 96.6 | 96.7 | 96.2 | 86 | 89 | 89 | 6318 | 6318 | 53.4 | 416820-36 | 56 |
| 250 | 186 | 1785 | 449T | ECP4908T-4 | 276 | 1765 | 736 | 96.7 | 96.6 | 96.2 | 78 | 85 | 88 | 6318 | 6318 | 53.24 | 416820-36 | 99 |
| 250 | 186 | 1188 | 449T | ECP44256T-4 | 283 | 1827 | 1104 | 96.3 | 96.5 | 96.2 | 74 | 82 | 86 | 6318 | 6318 | 53.24 | 416820-36 | - |
| 250 | 186 | 1188 | 449T | ECP49256T-4 | 283 | 1827 | 1104 | 96.3 | 96.5 | 96.2 | 74 | 82 | 86 | 6318 | 6318 | 53.24 | 416820-36 | 99 |
| 300 | 224 | 3570 | 449TS | ECP44302T-4 | 318 | 2149 | 441 | 96.3 | 96.5 | 96.2 | 85 | 89 | 91 | 6313 | 6313 | 49.48 | 416820-36 | - |
| 300 | 224 | 3570 | 449TS | ECP49302T-4 | 318 | 2149 | 441 | 96.3 | 96.5 | 96.2 | 85 | 89 | 91 | 6313 | 6313 | 49.48 | 416820-36 | 99 |
| 300 | 224 | 1785 | 449T | ECP44304T-4 | 334 | 2185 | 883 | 96.6 | 96.6 | 96.2 | 78 | 75 | 88 | 6318 | 6318 | 53.24 | 416820-36 | - |
| 300 | 224 | 1785 | 449T | ECP49304T-4 | 334 | 2185 | 883 | 96.6 | 96.6 | 96.2 | 78 | 75 | 88 | 6318 | 6318 | 53.24 | 416820-36 | 99 |
| 300 | 224 | 1185 | L449T | ECP49306T-4 | 341 | 1936 | 1329 | 95.5 | 95.7 | 95.4 | 82 | 86 | 87 | 6222 | 6318 | 60.21 | 416820-36 | 99 |
| 350 | 261 | 3565 | 449TS | ECP44352T-4 | 370 | 2293 | 515 | 95.8 | 96.2 | 95.8 | 90 | 92 | 91 | 6313 | 6313 | 49.48 | 416820-36 | - |
| 350 | 261 | 3565 | 449TS | ECP49352T-4 | 370 | 2293 | 515 | 95.8 | 96.2 | 95.8 | 90 | 92 | 91 | 6313 | 6313 | 49.48 | 416820-36 | 99 |
| 350 | 261 | 1785 | L449T | ECP49354T-4 | 384 | 2411 | 1031 | 96.6 | 96.6 | 96.2 | 84 | 88 | 89 | 6318 | 6318 | 60.21 | 416820-36 | 99 |
| 400 | 298 | 3570 | 449TS | ECP44402T-4 | 421 | 2690 | 588 | 96 | 96.3 | 96.2 | 88 | 91 | 92 | 6313 | 6313 | 49.48 | 416820-36 | - |
| 400 | 298 | 3570 | 449TS | ECP49402T-4 | 421 | 2690 | 588 | 96 | 96.3 | 96.2 | 88 | 91 | 92 | 6313 | 6313 | 49.48 | 416820-36 | 99 |
| 400 | 298 | 1785 | L449T | ECP49404T-4 | 438 | 2880 | 1178 | 96.9 | 96.8 | 96.2 | 79 | 86 | 88 | 6222 | 6318 | 60.21 | 416820-36 | 64,99 |

| 460 Volt, Roller Bearing Designs | | | | | | | | | | | | | | | | | | |
|---|-----|------|------|--------------|-----|------|------|------|------|------|----|----|----|-------|------|-------|-----------|------|
| 150 | 112 | 1200 | 447T | ECP44156TR-4 | 170 | 1025 | 663 | 96.3 | 96.2 | 95.8 | 77 | 84 | 86 | NU222 | 6318 | 48.24 | 416820-36 | 5 |
| 150 | 112 | 1200 | 447T | ECP49156TR-4 | 170 | 1025 | 663 | 96.3 | 96.2 | 95.8 | 77 | 84 | 86 | NU223 | 6318 | 48.24 | 416820-36 | 5,99 |
| 200 | 149 | 1800 | 447T | ECP4407TR-4 | 223 | 1421 | 588 | 96.5 | 96.5 | 96.2 | 77 | 85 | 87 | NU222 | 6318 | 48.24 | 416820-36 | 5 |
| 200 | 149 | 1800 | 447T | ECP4907TR-5 | 223 | 1421 | 588 | 96.5 | 96.5 | 96.2 | 77 | 85 | 87 | NU223 | 6318 | 48.24 | 416820-36 | 5,99 |
| 200 | 149 | 1200 | 449T | ECP44206TR-4 | 225 | 1404 | 883 | 96.1 | 96.2 | 95.8 | 78 | 84 | 87 | NU222 | 6318 | 53.24 | 416820-36 | 5 |
| 200 | 149 | 1200 | 449T | ECP49206TR-5 | 225 | 1404 | 883 | 96.1 | 96.2 | 95.8 | 78 | 84 | 87 | NU223 | 6318 | 53.24 | 416820-36 | 5,99 |
| 250 | 186 | 1800 | 449T | ECP4408TR-4 | 276 | 1765 | 736 | 96.7 | 96.6 | 96.2 | 78 | 85 | 88 | NU222 | 6318 | 53.24 | 416820-36 | 5 |
| 250 | 186 | 1800 | 449T | ECP4908TR-5 | 276 | 1765 | 736 | 96.7 | 96.6 | 96.2 | 78 | 85 | 88 | NU223 | 6318 | 53.24 | 416820-36 | 5,99 |
| 250 | 186 | 1200 | 449T | ECP44256TR-4 | 287 | 1942 | 1104 | 95.8 | 96 | 95.8 | 73 | 82 | 85 | NU222 | 6318 | 53.24 | 416820-36 | 5 |
| 250 | 186 | 1200 | 449T | ECP49256TR-5 | 287 | 1942 | 1104 | 95.8 | 96 | 95.8 | 73 | 82 | 85 | NU223 | 6318 | 53.24 | 416820-36 | 5,99 |
| 300 | 224 | 1800 | 449T | ECP44304TR-4 | 334 | 2185 | 883 | 96.6 | 96.6 | 96.2 | 78 | 85 | 88 | NU222 | 6318 | 53.24 | 416820-36 | 5 |
| 300 | 224 | 1800 | 449T | ECP49304TR-5 | 334 | 2185 | 883 | 96.6 | 96.6 | 96.2 | 78 | 85 | 88 | NU223 | 6318 | 53.24 | 416820-36 | 5,99 |

| 575 Volt, Ball Bearing Designs | | | | | | | | | | | | | | | | | | |
|---------------------------------------|------|------|------|------------|-----|------|------|------|------|------|----|----|----|------|------|-------|--------|---|
| 1 | 0.75 | 1765 | 143T | ECP3581T-5 | 1.2 | 12 | 3 | 83.6 | 86.5 | 87.5 | 48 | 60 | 70 | 6205 | 6205 | 12.88 | CD0006 | - |
| 1 1/2 | 1.1 | 1760 | 145T | ECP3584T-5 | 1.7 | 14.3 | 4.5 | 86.5 | 88.2 | 88.5 | 54 | 67 | 76 | 6205 | 6205 | 12.88 | CD0006 | - |
| 2 | 1.5 | 1755 | 145T | ECP3587T-5 | 2.3 | 19.6 | 6 | 86.8 | 88.1 | 88.5 | 55 | 67 | 76 | 6205 | 6205 | 12.88 | CD0006 | - |
| 3 | 2.2 | 1760 | 182T | ECP3661T-5 | 3.4 | 27 | 9 | 88.8 | 90.2 | 90.2 | 54 | 66 | 73 | 6206 | 6206 | 15.93 | CD0006 | - |
| 3 | 2.2 | 1165 | 213T | ECP3764T-5 | 3.6 | 25.2 | 13.5 | 88.8 | 90.8 | 90.2 | 52 | 63 | 69 | 6307 | 6307 | 19.5 | CD0006 | - |

NOTES: 5 = Belted Duty only, Roller Bearing 56 = Single Frame mounting holes in 447 and 449 frame 60 = Totally Enclosed Non-Ventilated Enclosure (TENV) 64 = Motor includes (1) set of (6) 100 Ohm Platinum Winding RTD's and a Space Heater 99 = Has F3 lead outlet hole and an arm mounted conduit box for easy F1 or F2 lead location.

Shaded ratings are cast iron frames.

See page 93 for Connection Diagrams. See page 72 for Dimensions. Efficiencies shown are nominal. Data subject to change without notice. Contact Baldor for certified data.

**TEFC – Totally Enclosed Fan Cooled
Foot Mounted, 460 & 575 Volt, Three Phase, 1 - 400 Hp**



| Hp | kW | RPM | Frame | Catalog No. | Amps @ High V | | F.L. Torque Lb. Ft. | Efficiency % | | | Power Factor % | | | Bearings | | "C" Dim. | Conn. Diag. No. | Notes |
|---|-----|------|-------|-------------|---------------|------|---------------------|--------------|------|------|----------------|-----|------|----------|------|----------|-----------------|-------|
| | | | | | F.L. | L.R. | | 1/2 | 3/4 | F.L. | 1/2 | 3/4 | F.L. | DE | ODE | | | |
| 575 Volt, Ball Bearing Designs (continued) | | | | | | | | | | | | | | | | | | |
| 5 | 3.7 | 1750 | 184T | ECP3665T-5 | 5.3 | 44 | 15 | 89.7 | 90.7 | 89.5 | 62 | 74 | 80 | 6206 | 6206 | 15.93 | CD0006 | - |
| 5 | 3.7 | 1160 | 215T | ECP3768T-5 | 5.8 | 43.9 | 22.5 | 90.3 | 90.7 | 90.2 | 53 | 64 | 72 | 6307 | 6307 | 19.5 | CD0006 | - |
| 7 1/2 | 5.6 | 1770 | 213T | ECP3770T-5 | 7.5 | 53.9 | 22.1 | 91.2 | 91.8 | 91.7 | 65 | 76 | 81 | 6307 | 6307 | 19.5 | CD0006 | - |
| 7 1/2 | 5.6 | 1180 | 254T | ECP2276T-5 | 8.7 | 58 | 33.3 | 90.6 | 91.8 | 91.7 | 53 | 61 | 71 | 6309 | 6309 | 24.69 | CD0006 | - |
| 10 | 7.5 | 1760 | 215T | ECP3774T-5 | 10 | 70.9 | 29.7 | 92.9 | 92.9 | 92.4 | 67 | 78 | 83 | 6307 | 6307 | 19.5 | CD0006 | - |
| 10 | 7.5 | 1180 | 256T | ECP2332T-5 | 11.5 | 76.9 | 44.4 | 90.2 | 91.6 | 91.7 | 54 | 65 | 72 | 6309 | 6309 | 24.69 | CD0006 | - |
| 15 | 11 | 1765 | 254T | ECP2333T-5 | 14.8 | 99 | 44.5 | 91.3 | 92.5 | 92.4 | 67 | 78 | 82 | 6309 | 6309 | 24.69 | CD0006 | - |
| 15 | 11 | 1180 | 284T | ECP4100T-5 | 15.9 | 105 | 66.6 | 91.6 | 93.2 | 93 | 58 | 69 | 76 | 6311 | 6311 | 27.93 | CD0006 | - |
| 20 | 15 | 1765 | 256T | ECP2334T-5 | 19.2 | 140 | 59 | 92.8 | 93.1 | 93 | 69 | 80 | 84 | 6309 | 6309 | 24.69 | CD0006 | - |
| 20 | 15 | 1180 | 286T | ECP4102T-5 | 20.6 | 135 | 89 | 92.1 | 93.2 | 93 | 62 | 73 | 78 | 6311 | 6311 | 27.93 | CD0006 | - |
| 25 | 19 | 1770 | 284T | ECP4103T-5 | 23.9 | 153 | 74.1 | 92.4 | 93.5 | 93.6 | 71 | 80 | 84 | 6311 | 6311 | 27.93 | CD0006 | - |
| 25 | 19 | 1180 | 324T | ECP4111T-5 | 25.7 | 162 | 111 | 91.9 | 92.9 | 93 | 64 | 74 | 79 | 6312 | 6312 | 30.27 | CD0006 | - |
| 30 | 22 | 1770 | 286T | ECP4104T-5 | 29 | 197 | 89 | 93.8 | 94.4 | 94.1 | 66 | 75 | 83 | 6311 | 6311 | 27.93 | CD0006 | - |
| 40 | 30 | 1775 | 324T | ECP4110T-5 | 36.8 | 259 | 118 | 93.9 | 94.6 | 94.5 | 70 | 79 | 86 | 6312 | 6312 | 30.27 | CD0006 | - |
| 50 | 37 | 1775 | 326T | ECP4115T-5 | 45.6 | 318 | 149 | 94.4 | 94.9 | 94.5 | 81 | 80 | 88 | 6312 | 6312 | 30.27 | CD0006 | - |
| 60 | 45 | 1780 | 364T | ECP4314T-5 | 54.4 | 344 | 177 | 95.2 | 95.3 | 95 | 79 | 85 | 87 | 6313 | 6313 | 33.44 | 416820-36 | - |
| 75 | 56 | 1780 | 365T | ECP4316T-5 | 68.7 | 434 | 221 | 95.7 | 95.8 | 95.4 | 77 | 84 | 86 | 6313 | 6313 | 33.44 | 416820-36 | - |
| 100 | 75 | 1785 | 405T | ECP4400T-5 | 89.6 | 580 | 295 | 95.4 | 95.7 | 95.4 | 83 | 87 | 88 | 6316 | 6316 | 38.03 | 416820-36 | - |
| 125 | 93 | 1785 | 444T | ECP4410T-5 | 115 | 713 | 368 | 95.5 | 95.8 | 95.4 | 73 | 82 | 85 | 6318 | 6318 | 44.75 | 416820-36 | - |
| 125 | 93 | 1780 | 444T | ECP4410T-5E | 112 | 673 | 369 | 95.4 | 95.7 | 95.4 | 78 | 85 | 87 | 6318 | 6318 | 44.62 | 416820-36 | 56 |
| 125 | 93 | 1785 | 444T | ECP4910T-5 | 115 | 713 | 368 | 95.5 | 95.8 | 95.4 | 73 | 82 | 85 | 6318 | 6318 | 44.75 | 416820-36 | 99 |
| 150 | 112 | 1785 | 445T | ECP4406T-5 | 136 | 833 | 442 | 96 | 96.1 | 95.8 | 76 | 83 | 86 | 6318 | 6318 | 44.75 | 416820-36 | - |
| 150 | 112 | 1785 | 445T | ECP4406T-5E | 135 | 868 | 441 | 96.4 | 96.6 | 96.2 | 83 | 88 | 89 | 6318 | 6318 | 44.62 | 416820-36 | 56 |
| 150 | 112 | 1785 | 445T | ECP4906T-5 | 136 | 833 | 442 | 96 | 96.1 | 95.8 | 76 | 83 | 86 | 6318 | 6318 | 44.75 | 416820-36 | 99 |
| 200 | 149 | 1785 | 447T | ECP4407T-5 | 178 | 1137 | 588 | 96.5 | 96.5 | 96.2 | 77 | 85 | 87 | 6318 | 6318 | 48.24 | 416820-36 | - |
| 200 | 149 | 1785 | 447T | ECP4407T-5 | 178 | 1137 | 588 | 96.5 | 96.5 | 96.2 | 77 | 85 | 87 | 6318 | 6318 | 48.24 | 416820-36 | 99 |

NOTES: 56 = Single Frame mounting holes in 447 and 449 frame

60 = Totally Enclosed Non-Ventilated Enclosure (TENV)

See page 93 for Connection Diagrams. See page 72 for Dimensions.

Efficiencies shown are nominal. Data subject to change without notice. Contact Baldor for certified data.

Shaded ratings are cast iron frames.

**Severe Duty Super-E® ECP/XEX
C-Face Foot Mounted**



**TEFC – Totally Enclosed Fan Cooled
230/460 and 460 Volts, Three Phase, 1 - 50 Hp**

| Hp | kW | RPM | Frame | Catalog No. | Amps @ High V | | F.L. Torque Lb. Ft. | Efficiency % | | | Power Factor % | | | Bearings | | Volt Code | "C" Dim. | Conn. Diag. No. |
|-------|------|------|-------|-------------|---------------|-------|---------------------|--------------|------|------|----------------|-----|------|----------|------|-----------|----------|-----------------|
| | | | | | F.L. | L.R. | | 1/2 | 3/4 | F.L. | 1/2 | 3/4 | F.L. | DE | ODE | | | |
| 1 | 0.75 | 1765 | 143TC | CECP3581T | 1.5 | 15 | 3 | 84.4 | 87 | 87.5 | 48 | 60 | 70 | 6205 | 6205 | E | 13.38 | CD0005 |
| 1 1/2 | 1.1 | 1760 | 145TC | CECP3584T | 2.1 | 18 | 4.5 | 86.8 | 88.4 | 88.5 | 54 | 67 | 76 | 6205 | 6205 | E | 13.38 | CD0005 |
| 2 | 1.5 | 1755 | 145TC | CECP3587T | 2.8 | 25 | 6 | 86.9 | 88.5 | 88.5 | 54 | 67 | 75 | 6205 | 6205 | E | 13.38 | CD0005 |
| 3 | 2.2 | 3500 | 182TC | CECP3660T | 3.4 | 32 | 4.5 | 87.5 | 89.1 | 88.5 | 83 | 89 | 92 | 6206 | 6206 | E1 | 16.68 | CD0005 |
| 3 | 2.2 | 1755 | 182TC | CECP3661T | 4.1 | 29.8 | 9.1 | 88.9 | 90.1 | 89.5 | 58 | 70 | 77 | 6206 | 6206 | E | 16.68 | CD0005 |
| 5 | 3.7 | 3490 | 184TC | CECP3663T | 5.7 | 64.8 | 7.5 | 89.4 | 90.8 | 90.2 | 76 | 85 | 90 | 6206 | 6206 | E1 | 16.68 | CD0005 |
| 5 | 3.7 | 1750 | 184TC | CECP3665T | 6.6 | 54 | 14.9 | 90.3 | 91.2 | 89.5 | 60 | 73 | 80 | 6206 | 6206 | E | 16.68 | CD0005 |
| 7 1/2 | 5.6 | 3525 | 213TC | CECP3769T | 8.6 | 75 | 11.2 | 90 | 91.4 | 91.7 | 79 | 87 | 90 | 6307 | 6307 | F | 20.24 | CD0005 |
| 7 1/2 | 5.6 | 1770 | 213TC | CECP3770T | 9.5 | 68 | 22.1 | 91.6 | 92.3 | 91.7 | 65 | 76 | 81 | 6307 | 6307 | F | 20.24 | CD0005 |
| 10 | 7.5 | 3500 | 215TC | CECP3771T | 11 | 120 | 15 | 92.7 | 92.9 | 92.4 | 82 | 89 | 92 | 6307 | 6307 | E1 | 20.24 | CD0005 |
| 10 | 7.5 | 1760 | 215TC | CECP3774T | 12.5 | 88.5 | 29.8 | 92.9 | 93.1 | 92.4 | 67 | 78 | 82 | 6307 | 6307 | F | 20.24 | CD0005 |
| 15 | 11.2 | 3525 | 254TC | CECP2294T | 17.2 | 128 | 22.2 | 90.8 | 91.9 | 91.7 | 78 | 86 | 88 | 6309 | 6309 | E1 | 25.19 | CD0180 |
| 15 | 11.2 | 1765 | 254TC | CECP2333T | 18.5 | 122.9 | 44.6 | 91.9 | 92.6 | 92.4 | 66 | 77 | 82 | 6309 | 6309 | E1 | 25.57 | CD0005 |
| 15 | 11.2 | 1765 | 254TC | CECP2333T-4 | 18.5 | 122.9 | 44.6 | 91.9 | 92.6 | 92.4 | 66 | 77 | 82 | 6309 | 6309 | G | 25.19 | CD0006 |
| 20 | 14.9 | 3540 | 256TC | CECP4106T | 22 | 165 | 29.8 | 91.5 | 92.2 | 92.4 | 83 | 91 | 92 | 6309 | 6309 | E1 | 25.19 | CD0180 |
| 20 | 14.9 | 1765 | 256TC | CECP2334T | 24 | 175 | 59 | 92.8 | 93.1 | 93 | 69 | 80 | 84 | 6309 | 6309 | E1 | 25.57 | CD0005 |
| 20 | 14.9 | 1765 | 256TC | CECP2334T-4 | 24 | 175 | 59 | 92.8 | 93.1 | 93 | 69 | 80 | 84 | 6309 | 6309 | G | 25.19 | CD0006 |

NOTES: Volt Code: E = 208-230/460V, 60Hz; E1 = 230/460V, 60Hz, usable at 208V; F = 230/460V, 60 Hz; G = 460V, 60Hz

See page 93 for Connection Diagrams. See page 73 for dimensions.

Efficiencies shown are nominal. Data subject to change without notice. Contact Baldor for certified data.

Shaded ratings are cast iron frames.

TEFC – Totally Enclosed Fan Cooled
230/460 and 460 Volts, Three Phase, 1 - 50 Hp



| Hp | kW | RPM | Frame | Catalog No. | Amps @ High V | | F.L. Torque Lb. Ft. | Efficiency % | | | Power Factor % | | | Bearings | | Volt Code | "C" Dim. | Conn. Diag. No. |
|----|------|------|--------|-------------|---------------|------|---------------------|--------------|------|------|----------------|-----|------|----------|------|-----------|----------|-----------------|
| | | | | | F.L. | L.R. | | 1/2 | 3/4 | F.L. | 1/2 | 3/4 | F.L. | DE | ODE | | | |
| 25 | 18.6 | 3510 | 284TSC | CECP4107T | 27 | 176 | 37.3 | 93.4 | 93.4 | 92.4 | 90 | 93 | 93 | 6311 | 6309 | E1 | 26.1 | CD0180 |
| 25 | 18.6 | 1780 | 284TC | CECP4103T-4 | 30.5 | 188 | 74 | 93.4 | 93.9 | 93.6 | 69 | 78 | 82 | 6311 | 6311 | G | 27.93 | CD0006 |
| 25 | 18.6 | 1770 | 284TC | CECP4103T | 30 | 186 | 74.2 | 92.3 | 93.5 | 93.6 | 73 | 81 | 85 | 6311 | 6311 | E1 | 27.93 | CD0005 |
| 30 | 22.4 | 3520 | 286TSC | CECP4108T | 33 | 215 | 44.5 | 93.2 | 93.6 | 93 | 83 | 88 | 90 | 6311 | 6311 | F | 26.62 | CD0180 |
| 30 | 22.4 | 1770 | 286TC | CECP4104T | 36 | 246 | 89 | 93.8 | 94.4 | 94.1 | 66 | 75 | 83 | 6311 | 6311 | E1 | 27.93 | CD0005 |
| 30 | 22.4 | 1770 | 286TC | CECP4104T-4 | 35 | 217 | 89.2 | 93.3 | 93.8 | 93.6 | 75 | 83 | 87 | 6311 | 6311 | G | 27.93 | CD0006 |
| 40 | 29.8 | 3540 | 324TSC | CECP4109T | 45 | 326 | 59.5 | 92.3 | 93.4 | 93.6 | 80 | 87 | 90 | 6312 | 6312 | F | 28.66 | CD0180 |
| 40 | 29.8 | 1775 | 324TC | CECP4110T | 46 | 320 | 118 | 93.9 | 94.6 | 94.5 | 73 | 81 | 84 | 6312 | 6312 | E1 | 30.16 | CD0180 |
| 50 | 37.3 | 3540 | 326TSC | CECP4114T | 56 | 403 | 74.1 | 94 | 94.5 | 94.1 | 80 | 87 | 89 | 6312 | 6312 | E1 | 28.66 | CD0180 |
| 50 | 37.3 | 1775 | 326TC | CECP4115T | 57 | 392 | 149 | 94.4 | 94.9 | 94.5 | 73 | 82 | 85 | 6312 | 6312 | E1 | 30.16 | CD0180 |

NOTES: Volt Code: E = 208-230/460V, 60Hz; E1 = 230/460V, 60Hz, usable at 208V; F = 230/460V, 60 Hz; G = 460V, 60Hz
 See page 93 for Connection Diagrams. See page 73 for dimensions.
 Efficiencies shown are nominal. Data subject to change without notice. Contact Baldor for certified data.

Severe Duty Super-E® ECP/XEX
C-Face Footless



TEFC – Totally Enclosed Fan Cooled
230/460 and 460 Volts, Three Phase, 1 - 25 Hp

| Hp | kW | RPM | Frame | Catalog No. | Amps @ High V | | F.L. Torque Lb. Ft. | Efficiency % | | | Power Factor % | | | Bearings | | Volt Code | "C" Dim. | Conn. Diag. No. |
|-------|------|------|-------|-------------|---------------|-------|---------------------|--------------|------|------|----------------|-----|------|----------|------|-----------|----------|-----------------|
| | | | | | F.L. | L.R. | | 1/2 | 3/4 | F.L. | 1/2 | 3/4 | F.L. | DE | ODE | | | |
| 1 | 0.75 | 3450 | 56C | VECP3580-4 | 1.4 | 12.1 | 1.5 | 80.5 | 83.6 | 84 | 65 | 77 | 84 | 6205 | 6205 | G | 14.5 | CD0006 |
| 1 | 0.75 | 1765 | 56C | VECP3581 | 1.5 | 15 | 3 | 84.4 | 87 | 87.5 | 48 | 60 | 70 | 6205 | 6205 | E | 14.5 | CD0005 |
| 1 | 0.75 | 1765 | 56C | VECP3581-4 | 1.5 | 15 | 3 | 84.4 | 87 | 87.5 | 48 | 60 | 70 | 6205 | 6205 | G | 14.5 | CD0006 |
| 1 | 0.75 | 1765 | 143TC | VECP3581T | 1.5 | 15 | 3 | 84.4 | 87 | 87.5 | 48 | 60 | 70 | 6205 | 6205 | E | 14.56 | CD0005 |
| 1 | 0.75 | 1765 | 143TC | VECP3581T-4 | 1.5 | 15 | 3 | 84.4 | 87 | 87.5 | 49 | 60 | 70 | 6205 | 6205 | G | 14.57 | CD0006 |
| 1 | 0.75 | 1150 | 145TC | VECP3582T | 1.8 | 9.2 | 4.5 | 82.3 | 84 | 82.5 | 42 | 55 | 63 | 6205 | 6205 | E | 14.56 | CD0005 |
| 1 1/2 | 1.1 | 3450 | 143TC | VECP3583T-4 | 2 | 20.1 | 2.3 | 81.3 | 84.3 | 85.5 | 68 | 78 | 83 | 6205 | 6205 | G | 14.57 | CD0006 |
| 1 1/2 | 1.1 | 1760 | 145TC | VECP3584T | 2.1 | 18 | 4.5 | 86.8 | 88.4 | 88.5 | 54 | 67 | 76 | 6205 | 6205 | E | 14.56 | CD0005 |
| 1 1/2 | 1.1 | 1760 | 145TC | VECP3584T-4 | 2.1 | 18 | 4.5 | 86.5 | 88.3 | 88.5 | 54 | 67 | 76 | 6205 | 6205 | G | 14.56 | CD0006 |
| 1 1/2 | 1.1 | 1170 | 182TC | VECP3667T | 2.5 | 16.2 | 6.8 | 84.8 | 86.9 | 87.5 | 44 | 56 | 64 | 6206 | 6206 | E | 16.98 | CD0005 |
| 2 | 1.5 | 3450 | 145TC | VECP3586T-4 | 2.5 | 30 | 3 | 83.8 | 86.2 | 86.5 | 70 | 80 | 85 | 6205 | 6205 | G | 14.56 | CD0006 |
| 2 | 1.5 | 1755 | 145TC | VECP3587T | 2.8 | 25 | 6 | 86.9 | 88.5 | 88.5 | 54 | 67 | 75 | 6205 | 6205 | E | 14.57 | CD0005 |
| 2 | 1.5 | 1755 | 145TC | VECP3587T-4 | 2.8 | 25 | 6 | 86.9 | 88.5 | 88.5 | 54 | 67 | 75 | 6205 | 6205 | G | 14.57 | CD0006 |
| 2 | 1.5 | 1165 | 184TC | VECP3664T | 3.2 | 20.9 | 9 | 86.9 | 88.5 | 88.5 | 48 | 60 | 68 | 6206 | 6206 | F | 16.98 | CD0005 |
| 3 | 2.2 | 3500 | 182TC | VECP3660T-4 | 3.4 | 34.5 | 4.5 | 87.5 | 89.1 | 88.5 | 83 | 89 | 92 | 6206 | 6206 | G | 16.98 | CD0006 |
| 3 | 2.2 | 1760 | 182TC | VECP3661T | 4.2 | 33 | 9 | 88.9 | 90.4 | 90.2 | 54 | 66 | 74 | 6206 | 6206 | F | 16.98 | CD0005 |
| 3 | 2.2 | 1760 | 182TC | VECP3661T-4 | 4.1 | 31.9 | 9 | 89.2 | 90.4 | 90.2 | 56 | 67 | 75 | 6206 | 6206 | G | 16.98 | CD0006 |
| 3 | 2.2 | 1165 | 213TC | VECP3764T | 4.5 | 30.9 | 13.5 | 89.5 | 90.4 | 90.2 | 52 | 64 | 70 | 6307 | 6307 | E1 | 21.41 | CD0005 |
| 5 | 3.7 | 3500 | 184TC | VECP3663T-4 | 5.7 | 63.9 | 7.5 | 88.6 | 89.8 | 89.5 | 83 | 89 | 93 | 6206 | 6206 | G | 16.98 | CD0006 |
| 5 | 3.7 | 1750 | 184TC | VECP3665T | 6.6 | 54 | 14.9 | 90.3 | 91.2 | 89.5 | 60 | 73 | 80 | 6206 | 6206 | E | 16.98 | CD0005 |
| 5 | 3.7 | 1750 | 184TC | VECP3665T-4 | 6.6 | 54 | 15 | 89.7 | 90.7 | 89.5 | 62 | 74 | 80 | 6206 | 6206 | G | 16.98 | CD0006 |
| 5 | 3.7 | 1160 | 215TC | VECP3768T | 7.3 | 51.9 | 22.8 | 90.3 | 91 | 90.2 | 54 | 65 | 72 | 6307 | 6307 | E1 | 21.41 | CD0005 |
| 7 1/2 | 5.6 | 3525 | 213TC | VECP3769T-4 | 8.6 | 86 | 11.2 | 90 | 91.4 | 91.7 | 79 | 87 | 90 | 6307 | 6307 | G | 21.41 | CD0006 |
| 7 1/2 | 5.6 | 1770 | 213TC | VECP3770T | 9.5 | 68 | 22.1 | 91.6 | 92.3 | 91.7 | 65 | 76 | 81 | 6307 | 6307 | F | 21.41 | CD0005 |
| 7 1/2 | 5.6 | 1770 | 213TC | VECP3770T-4 | 9.5 | 68 | 22.1 | 91.6 | 92.3 | 91.7 | 65 | 76 | 81 | 6307 | 6307 | G | 21.41 | CD0006 |
| 7 1/2 | 5.6 | 1180 | 254TC | VECP2276T | 10.7 | 69.7 | 32.4 | 89.7 | 91.5 | 91.7 | 52 | 63 | 70 | 6309 | 6309 | E1 | 27.69 | CD0005 |
| 10 | 7.5 | 3500 | 215TC | VECP3771T-4 | 11 | 120 | 15 | 92.7 | 92.9 | 92.4 | 82 | 89 | 92 | 6307 | 6307 | G | 21.41 | CD0006 |
| 10 | 7.5 | 1760 | 215TC | VECP3774T | 12.5 | 88.5 | 29.8 | 92.9 | 93.1 | 92.4 | 67 | 78 | 82 | 6307 | 6307 | F | 21.41 | CD0005 |
| 10 | 7.5 | 1760 | 215TC | VECP3774T-4 | 12.5 | 96.9 | 29.7 | 92.2 | 92.7 | 92.4 | 69 | 79 | 83 | 6307 | 6307 | G | 21.41 | CD0006 |
| 10 | 7.5 | 1180 | 256TC | VECP2332T | 14.2 | 93 | 44.4 | 90.2 | 91.6 | 91.7 | 55 | 66 | 72 | 6309 | 6309 | E1 | 27.69 | CD0180 |
| 15 | 11 | 1765 | 254TC | VECP2333T | 18.5 | 122.9 | 44.6 | 91.9 | 92.6 | 92.4 | 66 | 77 | 82 | 6309 | 6309 | E1 | 27.69 | CD0005 |
| 15 | 11 | 1765 | 254TC | VECP2333T-4 | 18.5 | 122.9 | 44.6 | 91.9 | 92.6 | 92.4 | 66 | 77 | 82 | 6309 | 6309 | G | 27.69 | CD0006 |
| 15 | 11 | 1180 | 284TC | VECP4100T | 19.7 | 130.1 | 66.7 | 91.9 | 93 | 93 | 59 | 70 | 77 | 6311 | 6311 | E1 | 30.68 | CD0180 |
| 20 | 15 | 1765 | 256TC | VECP2334T | 24 | 175.1 | 59.5 | 92.6 | 93.3 | 93 | 70 | 79 | 84 | 6309 | 6309 | E1 | 27.69 | CD0005 |
| 20 | 15 | 1765 | 256TC | VECP2334T-4 | 24 | 175 | 59 | 92.8 | 93.1 | 93 | 69 | 80 | 84 | 6309 | 6309 | G | 27.69 | CD0006 |
| 20 | 15 | 1180 | 286TC | VECP4102T | 26 | 171.6 | 89 | 92.5 | 93.3 | 93 | 61 | 72 | 78 | 6311 | 6311 | F | 30.68 | CD0180 |
| 25 | 19 | 1770 | 284TC | VECP4103T | 30 | 186 | 74.2 | 92.3 | 93.5 | 93.6 | 73 | 81 | 85 | 6311 | 6311 | E1 | 30.68 | CD0005 |
| 25 | 19 | 1180 | 324TC | VECP4111T | 32 | 198 | 111 | 92.8 | 93.5 | 93 | 65 | 75 | 79 | 6312 | 6312 | E1 | 32.91 | CD0180 |

NOTES: Volt Code: E = 208-230/460V, 60Hz; E1 = 230/460V, 60Hz, usable at 208V; F = 230/460V, 60 Hz; G = 460V, 60Hz
 See page 93 for Connection Diagrams. See page 74 for dimensions.
 Efficiencies shown are nominal. Data subject to change without notice. Contact Baldor for certified data.

841XL Super-E® NEMA Premium® Efficient Motors



Baldor•Reliance 841XL motors are designed for the rugged requirements of the petro-chemical, pulp and paper, cement, aggregate, mining, and other process industries requiring premium efficient motors designed, manufactured and tested to exceed IEEE Std. 841-2009 for extreme severe duty service.

Motors feature an upgraded electrical and mechanical design. The Super-E electrical design has a Class F insulation system that operates within Class B temperature rise limits, a 1.15 service factor and meets or exceeds NEMA Premium® efficiency requirements. Rugged Cast Iron construction (includes: frame, end bells, conduit box and fan cover) is rated for IP56 enclosure protection. Inpro/Seal VBX (thru 210 frame) and VBXX labyrinth bearing isolators on drive end and opposite drive end of shaft. Positive Lubrication System (PLS). Embossed stainless nameplates are marked suitable for Division 2/Zone 2 locations with a T3 (200° C) or lower temperature code. Each 841XL motor includes final test and vibration results and has a 5 year warranty.



TEFC – Totally Enclosed Fan Cooled, Foot Mounted, 460 & 575 Volts, Three Phase, 1 - 250 Hp

| Hp | kW | RPM | Frame | Catalog No. | Amps @ High V | | F.L. Torque Lb. Ft. | Efficiency % | | | Power Factor % | | | Bearings | | "C" Dim. | Conn. Diag. No. | Notes |
|------------------|------|------|-------|--------------|---------------|-------|---------------------|--------------|------|------|----------------|-----|------|----------|------|----------|-----------------|-------|
| | | | | | F.L. | L.R. | | 1/2 | 3/4 | F.L. | 1/2 | 3/4 | F.L. | DE | ODE | | | |
| 460 Volts | | | | | | | | | | | | | | | | | | |
| 1 | 0.75 | 3450 | 143T | ECP83580T-4 | 1.4 | 12.1 | 1.5 | 80.5 | 83.6 | 84 | 65 | 77 | 84 | 6205 | 6205 | 12.88 | CD0006 | - |
| 1 | 0.75 | 3450 | 143T | ENCP83580T-4 | 1.3 | 11.2 | 1.5 | 80.5 | 83.9 | 84 | 73 | 83 | 87 | 6205 | 6203 | 11.37 | CD0006 | 60 |
| 1 | 0.75 | 1765 | 143T | ECP83581T-4 | 1.5 | 15 | 3 | 84.4 | 87 | 87.5 | 48 | 60 | 70 | 6205 | 6205 | 12.88 | CD0006 | - |
| 1 | 0.75 | 1765 | 143T | ENCP83581T-4 | 1.5 | 15 | 3 | 83.6 | 86.7 | 87.5 | 48 | 60 | 70 | 6205 | 6203 | 11.37 | CD0006 | 60 |
| 1 | 0.75 | 1150 | 145T | ECP83582T-4 | 1.8 | 9.6 | 4.5 | 82.3 | 84 | 82.5 | 42 | 55 | 63 | 6205 | 6205 | 12.88 | CD0006 | - |
| 1 1/2 | 1.1 | 3450 | 143T | ECP83583T-4 | 2 | 20.1 | 2.3 | 81.3 | 84.3 | 85.5 | 68 | 78 | 83 | 6205 | 6205 | 12.88 | CD0006 | - |
| 1 1/2 | 1.1 | 1760 | 145T | ECP83584T-4 | 2.1 | 18 | 4.5 | 86.5 | 88.3 | 88.5 | 54 | 67 | 76 | 6205 | 6205 | 12.87 | CD0006 | - |
| 1 1/2 | 1.1 | 1170 | 182T | ECP83667T-4 | 2.5 | 16.2 | 6.8 | 85 | 87.1 | 87.5 | 44 | 56 | 65 | 6206 | 6206 | 15.93 | CD0006 | - |
| 2 | 1.5 | 3450 | 145T | ECP83586T-4 | 2.4 | 24.9 | 3 | 84.4 | 86.4 | 86.5 | 79 | 87 | 91 | 6205 | 6205 | 12.88 | CD0006 | - |
| 2 | 1.5 | 1755 | 145T | ECP83587T-4 | 2.8 | 25 | 6 | 86.9 | 88.5 | 88.5 | 54 | 67 | 75 | 6205 | 6205 | 12.87 | CD0006 | - |
| 2 | 1.5 | 1165 | 184T | ECP83664T-4 | 3.2 | 20.9 | 9 | 86.9 | 88.5 | 88.5 | 48 | 60 | 68 | 6206 | 6206 | 15.93 | CD0006 | - |
| 3 | 2.2 | 3450 | 182T | ECP83660T-4 | 3.4 | 32.2 | 4.5 | 87.8 | 88.8 | 88.5 | 86 | 92 | 94 | 6206 | 6206 | 15.93 | CD0006 | - |
| 3 | 2.2 | 1755 | 182T | ECP83661T-4 | 4.1 | 29.8 | 9.1 | 88.3 | 89.8 | 89.5 | 58 | 70 | 77 | 6206 | 6206 | 15.93 | CD0006 | - |
| 3 | 2.2 | 1165 | 213T | ECP83764T-4 | 4.5 | 31.5 | 13.5 | 88.4 | 89.8 | 89.5 | 53 | 64 | 70 | 6307 | 6307 | 19.32 | CD0006 | - |
| 5 | 3.7 | 3450 | 184T | ECP83663T-4 | 5.6 | 49.1 | 7.6 | 90.8 | 90.8 | 89.5 | 86 | 91 | 93 | 6206 | 6206 | 15.93 | CD0006 | - |
| 5 | 3.7 | 1750 | 182T | ECP83665T-4 | 6.6 | 54 | 15 | 89.7 | 90.7 | 89.5 | 62 | 74 | 80 | 6206 | 6206 | 15.93 | CD0006 | - |
| 5 | 3.7 | 1160 | 215T | ECP83768T-4 | 7.1 | 46 | 22.4 | 89.6 | 90.1 | 89.5 | 57 | 67 | 73 | 6307 | 6307 | 19.32 | CD0006 | - |
| 7 1/2 | 5.6 | 3450 | 213T | ECP83769T-4 | 8.6 | 56.7 | 11.2 | 92.3 | 92.2 | 91.7 | 89 | 93 | 94 | 6307 | 6307 | 19.32 | CD0006 | - |
| 7 1/2 | 5.6 | 1765 | 213T | ECP83770T-4 | 9.5 | 63.4 | 22.2 | 92 | 92.3 | 91.7 | 66 | 77 | 81 | 6307 | 6307 | 19.32 | CD0006 | - |
| 7 1/2 | 5.6 | 1180 | 254T | ECP82276T-4 | 10.5 | 64.6 | 32.4 | 90.2 | 91.2 | 91.7 | 54 | 65 | 71 | 6309 | 6309 | 25.06 | CD0006 | - |
| 10 | 7.5 | 3450 | 215T | ECP83771T-4 | 10.7 | 82.1 | 15 | 92.6 | 92.6 | 91.7 | 91 | 94 | 95 | 6307 | 6307 | 19.32 | CD0006 | - |
| 10 | 7.5 | 1760 | 215T | ECP83774T-4 | 12.2 | 81 | 29.8 | 92.6 | 92.7 | 91.7 | 71 | 80 | 83 | 6307 | 6307 | 19.32 | CD0006 | - |
| 10 | 7.5 | 1180 | 256T | ECP82332T-4 | 14.1 | 81 | 44.3 | 91.1 | 91.9 | 91.7 | 57 | 67 | 72 | 6309 | 6309 | 25.06 | CD0006 | - |
| 15 | 11 | 3510 | 254T | ECP82394T-4 | 17 | 116 | 22.2 | 91.5 | 92.2 | 91.7 | 82 | 88 | 91 | 6309 | 6309 | 25.06 | CD0006 | - |
| 15 | 11 | 1765 | 254T | ECP82333T-4 | 17.6 | 115 | 44.7 | 92.9 | 93.3 | 92.4 | 74 | 83 | 86 | 6309 | 6309 | 25.06 | CD0006 | - |
| 15 | 11 | 1180 | 284T | ECP84100T-4 | 19.5 | 130 | 66.7 | 90.8 | 92.3 | 92.4 | 59 | 70 | 77 | 6311 | 6311 | 27.93 | CD0006 | - |
| 20 | 15 | 3510 | 256T | ECP84106T-4 | 22 | 142 | 29.6 | 92.7 | 92.7 | 91.7 | 84 | 89 | 91 | 6309 | 6309 | 25.06 | CD0006 | - |
| 20 | 15 | 1765 | 256T | ECP82334T-4 | 23.1 | 145 | 59.2 | 93.6 | 93.6 | 93 | 76 | 84 | 86 | 6309 | 6309 | 25.06 | CD0006 | - |
| 20 | 15 | 1180 | 286T | ECP84102T-4 | 25 | 139 | 89.4 | 92.3 | 92.7 | 92.4 | 68 | 77 | 81 | 6311 | 6311 | 27.93 | CD0006 | - |
| 25 | 19 | 3520 | 284TS | ECP84107T-4 | 28.5 | 172 | 37.4 | 91.9 | 92.5 | 91.7 | 81 | 87 | 90 | 6311 | 6311 | 26.56 | CD0006 | - |
| 25 | 19 | 1770 | 284T | ECP84103T-4 | 30 | 187.6 | 74.2 | 92.4 | 93.6 | 93.6 | 72 | 81 | 84 | 6311 | 6311 | 27.93 | CD0006 | - |
| 25 | 19 | 1180 | 324T | ECP84111T-4 | 31.6 | 184 | 111 | 91.9 | 92.8 | 93 | 67 | 76 | 80 | 6312 | 6312 | 30.53 | CD0006 | - |
| 30 | 22 | 3520 | 286TS | ECP84108T-4 | 33 | 215 | 44.5 | 93.2 | 93.6 | 93 | 83 | 88 | 90 | 6311 | 6311 | 26.56 | CD0006 | - |
| 30 | 22 | 1770 | 286T | ECP84104T-4 | 35 | 217 | 89.2 | 93.3 | 93.8 | 93.6 | 75 | 73 | 87 | 6311 | 6311 | 27.93 | CD0006 | - |
| 30 | 22 | 1180 | 326T | ECP84117T-4 | 38.6 | 234 | 133 | 91.9 | 92.8 | 93 | 64 | 74 | 78 | 6312 | 6312 | 30.53 | CD0006 | - |
| 40 | 30 | 3540 | 324TS | ECP84109T-4 | 45 | 350 | 59.2 | 92.2 | 93.4 | 92.4 | 79 | 86 | 89 | 6312 | 6312 | 29.03 | CD0006 | - |
| 40 | 30 | 1775 | 324T | ECP84110T-4 | 46 | 280 | 119 | 91.3 | 94.2 | 94.1 | 77 | 85 | 87 | 6312 | 6312 | 30.53 | CD0006 | - |
| 40 | 30 | 1190 | 364T | ECP84308T-4 | 49.4 | 290 | 177 | 93.6 | 94.3 | 94.1 | 69 | 77 | 81 | 6313 | 6313 | 33.44 | CD0006 | - |
| 50 | 37 | 3600 | 326TS | ECP84114T-4 | 56 | 362 | 73.7 | 94.5 | 94.8 | 93 | 79 | 86 | 89 | 6311 | 6311 | 29.03 | 416820-36 | - |
| 50 | 37 | 1770 | 326T | ECP84115T-4 | 57 | 344 | 148 | 94.7 | 94.9 | 94.5 | 78 | 85 | 87 | 6312 | 6312 | 30.53 | CD0006 | - |
| 50 | 37 | 1185 | 365T | ECP84312T-4 | 61.7 | 345 | 221 | 93.9 | 94.4 | 94.1 | 70 | 78 | 81 | 6313 | 6313 | 33.44 | 416820-36 | - |
| 60 | 45 | 3560 | 364TS | ECP84310T-4 | 65.1 | 398 | 88.5 | 95.3 | 95.5 | 95 | 88 | 91 | 91 | 6313 | 6313 | 31.31 | 416820-36 | - |
| 60 | 45 | 1780 | 364T | ECP84314T-4 | 68 | 430 | 177 | 95.2 | 95.3 | 95 | 79 | 85 | 87 | 6313 | 6313 | 33.44 | 416820-36 | - |
| 60 | 45 | 1185 | 404T | ECP84403T-4 | 69 | 425 | 265 | 94.9 | 95.2 | 95 | 79 | 84 | 86 | 6316 | 6316 | 38.31 | 416820-36 | - |

NOTES: 60 = Totally Enclosed Non-Ventilated Enclosure (TENV) Shaded ratings are cast iron frames.
 See page 93 for Connection Diagrams. See page 75 for dimensions.
 Efficiencies shown are nominal. Data subject to change without notice. Contact Baldor for certified data.

**TEFC – Totally Enclosed Fan Cooled
Foot Mounted, 460 & 575 Volts, Three Phase, 1 - 250 Hp**



| Hp | kW | RPM | Frame | Catalog No. | Amps @ High V | | F.L. Torque Lb. Ft. | Efficiency % | | | Power Factor % | | | Bearings | | "C" Dim. | Conn. Diag. No. | Notes |
|------------------------------|------|------|-------|---------------|---------------|------|---------------------|--------------|------|------|----------------|-----|------|----------|------|----------|-----------------|-------|
| | | | | | F.L. | L.R. | | 1/2 | 3/4 | F.L. | 1/2 | 3/4 | F.L. | DE | ODE | | | |
| 460 Volts (continued) | | | | | | | | | | | | | | | | | | |
| 75 | 56 | 3555 | 365TS | ECP84313T-4 | 80.7 | 494 | 111 | 95.1 | 95.4 | 95 | 91 | 92 | 92 | 6313 | 6313 | 31.31 | 416820-36 | - |
| 75 | 56 | 1780 | 365T | ECP84316T-4 | 85.9 | 542 | 221 | 95.7 | 95.8 | 95.4 | 77 | 84 | 86 | 6313 | 6313 | 33.44 | 416820-36 | - |
| 75 | 56 | 1185 | 405T | ECP84404T-4 | 86.9 | 541 | 332 | 95 | 95.3 | 95 | 73 | 82 | 85 | 6316 | 6316 | 38.31 | 416820-36 | - |
| 100 | 75 | 3565 | 405TS | ECP84402T-4 | 110 | 695 | 147 | 94.6 | 95.1 | 95 | 86 | 89 | 90 | 6313 | 6313 | 35.31 | 416820-36 | - |
| 100 | 75 | 1785 | 405T | ECP84400T-4 | 112 | 725 | 295 | 95.4 | 95.7 | 95.4 | 83 | 87 | 88 | 6316 | 6316 | 38.31 | 416820-36 | - |
| 100 | 75 | 1190 | 444T | ECP84409T-4 | 119 | 723 | 442 | 95 | 95.3 | 95 | 68 | 78 | 82 | 6318 | 6318 | 44.75 | 416820-36 | - |
| 100 | 75 | 1188 | 444T | ECP84409T-4E | 115 | 725 | 442 | 94.7 | 95.2 | 95 | 77 | 84 | 86 | 6318 | 6318 | 44.62 | 416820-36 | 56 |
| 100 | 75 | 1190 | 444T | ECP84909T-4 | 119 | 723 | 442 | 95 | 95.3 | 95 | 68 | 78 | 82 | 6318 | 6318 | 44.75 | 416820-36 | 99 |
| 125 | 93 | 3570 | 444TS | ECP84412T-4 | 137 | 848 | 184 | 95.1 | 95.6 | 95 | 85 | 89 | 89 | 6313 | 6313 | 40.98 | 416820-36 | - |
| 125 | 93 | 3565 | 444TS | ECP84412T-4E | 137 | 848 | 184 | 95.1 | 95.6 | 95.4 | 85 | 89 | 89 | 6313 | 6313 | 40.88 | 416820-36 | 56 |
| 125 | 93 | 3570 | 444TS | ECP84912T-4 | 137 | 848 | 184 | 95.1 | 95.6 | 95 | 85 | 89 | 89 | 6313 | 6313 | 40.98 | 416820-36 | 99 |
| 125 | 93 | 1785 | 444T | ECP84410T-4 | 144 | 907 | 368 | 95.5 | 95.9 | 95.4 | 81 | 87 | 88 | 6318 | 6318 | 44.75 | 416820-36 | - |
| 125 | 93 | 1785 | 444T | ECP84410T-4E | 139 | 907 | 368 | 95.5 | 95.9 | 95.8 | 81 | 87 | 88 | 6318 | 6318 | 44.62 | 416820-36 | 56 |
| 125 | 93 | 1785 | 444T | ECP84910T-4 | 144 | 907 | 368 | 95.5 | 95.9 | 95.4 | 81 | 87 | 88 | 6318 | 6318 | 44.75 | 416820-36 | 99 |
| 125 | 93 | 1188 | 445T | ECP84411T-4 | 146 | 1022 | 552 | 94.9 | 95.4 | 95 | 68 | 78 | 84 | 6318 | 6318 | 44.75 | 416820-36 | - |
| 125 | 93 | 1190 | 445T | ECP84411T-4E | 143 | 907 | 551 | 95.3 | 95.7 | 95.4 | 74 | 82 | 86 | 6318 | 6318 | 44.62 | 416820-36 | 56 |
| 125 | 93 | 1188 | 445T | ECP84911T-4 | 146 | 1022 | 552 | 94.9 | 95.4 | 95 | 68 | 78 | 84 | 6318 | 6318 | 44.75 | 416820-36 | 99 |
| 150 | 112 | 3570 | 445TS | ECP84413T-4 | 164 | 1081 | 221 | 94.7 | 95.3 | 95 | 82 | 88 | 90 | 6313 | 6313 | 40.98 | 416820-36 | - |
| 150 | 112 | 3575 | 445TS | ECP84413T-4E | 164 | 985 | 220 | 95.9 | 96.4 | 96.2 | 84 | 89 | 89 | 6313 | 6313 | 40.88 | 416820-36 | 56 |
| 150 | 112 | 3570 | 445TS | ECP84913T-4 | 164 | 1081 | 221 | 94.7 | 95.3 | 95 | 82 | 88 | 90 | 6313 | 6313 | 40.98 | 416820-36 | 99 |
| 150 | 112 | 1785 | 445T | ECP84406T-4 | 169 | 1041 | 442 | 96 | 96.1 | 95.8 | 76 | 83 | 86 | 6318 | 6318 | 44.75 | 416820-36 | - |
| 150 | 112 | 1785 | 445T | ECP84406T-4E | 165 | 1085 | 441 | 96.4 | 96.6 | 96.2 | 83 | 88 | 88 | 6318 | 6318 | 44.62 | 416820-36 | 56 |
| 150 | 112 | 1785 | 445T | ECP84906T-4 | 169 | 1041 | 442 | 96 | 96.1 | 95.8 | 76 | 83 | 86 | 6318 | 6318 | 44.75 | 416820-36 | 99 |
| 150 | 112 | 1190 | 447T | ECP844156T-4 | 170 | 1025 | 663 | 96.3 | 96.2 | 95.8 | 77 | 84 | 86 | 6318 | 6318 | 48.24 | 416820-36 | - |
| 150 | 112 | 1190 | 447T | ECP844156T-4E | 170 | 1025 | 663 | 96.3 | 96.2 | 95.8 | 77 | 84 | 86 | 6318 | 6318 | 48.24 | 416820-36 | 5 |
| 150 | 112 | 1190 | 447T | ECP849156T-4 | 170 | 1025 | 663 | 96.3 | 96.2 | 95.8 | 77 | 84 | 86 | 6318 | 6318 | 48.24 | 416820-36 | 99 |
| 150 | 112 | 1190 | 447T | ECP849156T-4E | 170 | 1025 | 663 | 96.3 | 96.2 | 95.8 | 77 | 84 | 86 | 6318 | 6318 | 48.24 | 416820-36 | 5,99 |
| 200 | 149 | 3570 | 447TS | ECP84416T-4 | 213 | 1426 | 294 | 96 | 96.3 | 96.2 | 84 | 89 | 91 | 6313 | 6313 | 43.92 | 416820-36 | - |
| 200 | 149 | 3570 | 447TS | ECP84916T-4 | 213 | 1426 | 294 | 96 | 96.3 | 96.2 | 84 | 89 | 91 | 6313 | 6313 | 43.92 | 416820-36 | 99 |
| 200 | 149 | 1785 | 447T | ECP84407T-4 | 223 | 1421 | 588 | 96.5 | 96.5 | 96.2 | 77 | 85 | 87 | 6318 | 6318 | 48.24 | 416820-36 | - |
| 200 | 149 | 1785 | 447T | ECP84407T-4E | 223 | 1421 | 588 | 96.5 | 96.5 | 96.2 | 77 | 85 | 87 | 6318 | 6318 | 48.24 | 416820-36 | 5 |
| 200 | 149 | 1785 | 447T | ECP84907T-4 | 223 | 1421 | 588 | 96.5 | 96.5 | 96.2 | 77 | 85 | 87 | 6318 | 6318 | 48.24 | 416820-36 | 99 |
| 200 | 149 | 1785 | 447T | ECP84907T-4E | 223 | 1421 | 588 | 96.5 | 96.5 | 96.2 | 77 | 85 | 87 | 6318 | 6318 | 48.24 | 416820-36 | 5,99 |
| 200 | 149 | 1190 | 449T | ECP844206T-4 | 225 | 1404 | 883 | 96.1 | 96.2 | 95.8 | 78 | 84 | 87 | 6318 | 6318 | 53.24 | 416820-36 | - |
| 200 | 149 | 1190 | 449T | ECP844206T-4E | 225 | 1404 | 883 | 96.1 | 96.2 | 95.8 | 78 | 84 | 87 | 6318 | 6318 | 53.24 | 416820-36 | 5 |
| 200 | 149 | 1190 | 449T | ECP849206T-4 | 225 | 1404 | 883 | 96.1 | 96.2 | 95.8 | 78 | 84 | 87 | 6318 | 6318 | 53.24 | 416820-36 | 99 |
| 200 | 149 | 1190 | 449T | ECP849206T-4E | 225 | 1404 | 883 | 96.1 | 96.2 | 95.8 | 78 | 84 | 87 | 6318 | 6318 | 53.24 | 416820-36 | 5,99 |
| 250 | 186 | 3570 | 449TS | ECP844252T-4 | 266 | 1767 | 367 | 96.4 | 96.6 | 96.2 | 86 | 90 | 91 | 6313 | 6313 | 49.48 | 416820-36 | - |
| 250 | 186 | 3570 | 449TS | ECP849252T-4 | 266 | 1767 | 367 | 96.4 | 96.6 | 96.2 | 86 | 90 | 91 | 6313 | 6313 | 49.48 | 416820-36 | 99 |
| 250 | 186 | 1785 | 449T | ECP84408T-4 | 276 | 1765 | 736 | 96.7 | 96.6 | 96.2 | 78 | 85 | 88 | 6318 | 6318 | 53.24 | 416820-36 | - |
| 250 | 186 | 1785 | 449T | ECP84408T-4E | 276 | 1765 | 736 | 96.7 | 96.6 | 96.2 | 78 | 85 | 88 | 6318 | 6318 | 53.24 | 416820-36 | 5 |
| 250 | 186 | 1785 | 449T | ECP84908T-4 | 276 | 1765 | 736 | 96.7 | 96.6 | 96.2 | 78 | 85 | 88 | 6318 | 6318 | 53.24 | 416820-36 | 99 |
| 250 | 186 | 1785 | 449T | ECP84908T-4E | 276 | 1765 | 736 | 96.7 | 96.6 | 96.2 | 78 | 85 | 88 | 6318 | 6318 | 53.24 | 416820-36 | 5,99 |
| 250 | 186 | 1190 | 449T | ECP844256T-4 | 287 | 1942 | 1104 | 95.8 | 96 | 95.8 | 73 | 82 | 85 | 6318 | 6318 | 53.24 | 416820-36 | - |
| 250 | 186 | 1190 | 449T | ECP849256T-4 | 287 | 1942 | 1104 | 95.8 | 96 | 95.8 | 73 | 82 | 85 | 6318 | 6318 | 53.24 | 416820-36 | 99 |
| 575 Volts | | | | | | | | | | | | | | | | | | |
| 1 | 0.75 | 3450 | 143T | ECP83580T-5 | 1.1 | 9.7 | 1.5 | 80.6 | 84 | 84 | 65 | 77 | 83 | 6205 | 6205 | 12.88 | CD0006 | - |
| 1 | 0.75 | 1765 | 143T | ECP83581T-5 | 1.2 | 11 | 3 | 83.6 | 86.5 | 87.5 | 48 | 60 | 70 | 6205 | 6205 | 12.87 | CD0006 | - |
| 1 | 0.75 | 1150 | 145T | ECP83582T-5 | 1.4 | 7.7 | 4.5 | 82.3 | 84.1 | 82.5 | 44 | 56 | 62 | 6205 | 6205 | 12.88 | CD0006 | - |
| 1 1/2 | 1.1 | 3450 | 143T | ECP83583T-5 | 1.6 | 15.8 | 2.3 | 81.3 | 84.3 | 85.5 | 68 | 78 | 83 | 6205 | 6205 | 12.88 | CD0006 | - |
| 1 1/2 | 1.1 | 1760 | 145T | ECP83584T-5 | 1.7 | 14.3 | 4.5 | 86.5 | 88.2 | 88.5 | 54 | 67 | 76 | 6205 | 6205 | 12.87 | CD0006 | - |
| 1 1/2 | 1.1 | 1170 | 182T | ECP83667T-5 | 2 | 12.9 | 6.8 | 84.8 | 86.9 | 87.5 | 45 | 56 | 65 | 6206 | 6206 | 15.93 | CD0006 | - |
| 2 | 1.5 | 3450 | 145T | ECP83586T-5 | 1.9 | 19.6 | 3 | 84.4 | 86.4 | 86.5 | 80 | 87 | 91 | 6205 | 6205 | 12.88 | CD0006 | - |
| 2 | 1.5 | 1755 | 145T | ECP83587T-5 | 2.3 | 19.6 | 6 | 86.8 | 88.1 | 88.5 | 55 | 67 | 76 | 6205 | 6205 | 12.87 | CD0006 | - |
| 2 | 1.5 | 1165 | 184T | ECP83664T-5 | 2.5 | 16.7 | 9 | 87.2 | 88.5 | 88.5 | 48 | 60 | 68 | 6206 | 6206 | 15.93 | CD0006 | - |
| 3 | 2.2 | 3450 | 182T | ECP83660T-5 | 2.7 | 25.7 | 4.5 | 88.6 | 89.1 | 88.5 | 86 | 92 | 94 | 6206 | 6206 | 15.93 | CD0006 | - |
| 3 | 2.2 | 1755 | 182T | ECP83661T-5 | 3.3 | 23.8 | 9.1 | 88.4 | 89.8 | 89.5 | 59 | 71 | 77 | 6206 | 6206 | 15.93 | CD0006 | - |
| 3 | 2.2 | 1165 | 213T | ECP83764T-5 | 3.6 | 25.9 | 13.5 | 88.2 | 89.3 | 89.5 | 52 | 63 | 70 | 6307 | 6206 | 19.32 | CD0006 | - |
| 5 | 3.7 | 3450 | 184T | ECP83663T-5 | 4.5 | 38.6 | 7.6 | 90.5 | 90.7 | 89.5 | 86 | 91 | 94 | 6206 | 6206 | 15.93 | CD0006 | - |
| 5 | 3.7 | 1750 | 182T | ECP83665T-5 | 5.3 | 44 | 15 | 89.7 | 90.7 | 89.5 | 62 | 74 | 80 | 6206 | 6206 | 15.93 | CD0006 | - |
| 5 | 3.7 | 1160 | 215T | ECP83768T-5 | 5.7 | 36.3 | 22.4 | 89.9 | 90.5 | 89.5 | 57 | 67 | 73 | 6307 | 6206 | 19.32 | CD0006 | - |

NOTES: 5 = Belted Duty only, Roller Bearing
 56 = Single Frame mounting holes in 447 and 449 frame
 99 = Has F3 lead outlet hole and an arm mounted conduit box for easy F1 or F2 lead location.
 See page 93 for Connection Diagrams. See page 75 for dimensions.
 Efficiencies shown are nominal. Data subject to change without notice. Contact Baldor for certified data.

**TEFC – Totally Enclosed Fan Cooled
Foot Mounted, 460 & 575 Volts, Three Phase, 1 - 250 Hp**



| Hp | kW | RPM | Frame | Catalog No. | Amps @ High V | | F.L. Torque Lb. Ft. | Efficiency % | | | Power Factor % | | | Bearings | | "C" Dim. | Conn. Diag. No. | Notes |
|------------------------------|-----|------|-------|---------------|---------------|------|---------------------|--------------|------|------|----------------|-----|------|----------|------|----------|-----------------|-------|
| | | | | | F.L. | L.R. | | 1/2 | 3/4 | F.L. | 1/2 | 3/4 | F.L. | DE | ODE | | | |
| 575 Volts (continued) | | | | | | | | | | | | | | | | | | |
| 7 1/2 | 5.6 | 3475 | 213T | ECP83769T-5 | 6.9 | 43.3 | 11.2 | 92.4 | 92 | 91.7 | 90 | 93 | 94 | 6307 | 6206 | 19.32 | CD0006 | - |
| 7 1/2 | 5.6 | 1765 | 213T | ECP83770T-5 | 6.9 | 50.7 | 22.2 | 91.6 | 91.9 | 91.7 | 67 | 76 | 80 | 6307 | 6307 | 19.32 | CD0006 | - |
| 7 1/2 | 5.6 | 1180 | 254T | ECP82276T-5 | 8.7 | 58 | 33.3 | 90.6 | 91.8 | 91.7 | 53 | 61 | 71 | 6309 | 6309 | 24.68 | CD0006 | - |
| 10 | 7.5 | 3450 | 215T | ECP83771T-5 | 8.6 | 64.3 | 15 | 92.3 | 92.6 | 91.7 | 92 | 95 | 95 | 6307 | 6307 | 19.32 | CD0006 | - |
| 10 | 7.5 | 1760 | 215T | ECP83774T-5 | 9.8 | 66.3 | 29.8 | 92.1 | 92.7 | 91.7 | 70 | 79 | 83 | 6307 | 6307 | 19.32 | CD0006 | - |
| 10 | 7.5 | 1180 | 256T | ECP82332T-5 | 11.5 | 76.9 | 44.4 | 90.2 | 91.6 | 91.7 | 54 | 65 | 72 | 6309 | 6309 | 24.68 | CD0006 | - |
| 15 | 11 | 3525 | 254T | ECP82394T-5 | 13.8 | 102 | 22.2 | 90.8 | 91.9 | 91.7 | 78 | 86 | 88 | 6309 | 6309 | 24.68 | CD0006 | - |
| 15 | 11 | 1765 | 254T | ECP82333T-5 | 14 | 89.4 | 44.6 | 91.7 | 92.5 | 92.4 | 74 | 82 | 86 | 6309 | 6309 | 25.06 | CD0006 | - |
| 15 | 11 | 1180 | 284T | ECP84100T-5 | 15.6 | 100 | 66.7 | 91.7 | 93.1 | 92.4 | 61 | 71 | 77 | 6311 | 6311 | 27.93 | CD0006 | - |
| 20 | 15 | 3510 | 256T | ECP84106T-5 | 17.8 | 123 | 29.7 | 91.9 | 92.4 | 91.7 | 84 | 89 | 91 | 6309 | 6309 | 24.68 | CD0006 | - |
| 20 | 15 | 1765 | 256T | ECP82334T-5 | 19 | 115 | 59.5 | 92.8 | 93.3 | 93 | 76 | 83 | 86 | 6309 | 6309 | 25.06 | CD0006 | - |
| 20 | 15 | 1180 | 286T | ECP84102T-5 | 21 | 123 | 89.7 | 91.3 | 92.4 | 92.4 | 65 | 74 | 79 | 6311 | 6311 | 27.93 | CD0006 | - |
| 25 | 19 | 3515 | 284TS | ECP84107T-5 | 22.8 | 135 | 37.5 | 91.5 | 91.9 | 91.7 | 82 | 87 | 90 | 6311 | 6311 | 26.56 | CD0006 | - |
| 25 | 19 | 1770 | 284T | ECP84103T-5 | 23.9 | 153 | 74.1 | 92.4 | 93.5 | 93.6 | 71 | 80 | 84 | 6311 | 6311 | 27.93 | CD0006 | - |
| 25 | 19 | 1180 | 324T | ECP84111T-5 | 25.4 | 151 | 111 | 92.1 | 93 | 93 | 66 | 76 | 80 | 6312 | 6312 | 30.53 | CD0006 | - |
| 30 | 22 | 3520 | 286TS | ECP84108T-5 | 26.6 | 172 | 44.5 | 93.3 | 93.5 | 93 | 83 | 88 | 91 | 6311 | 6311 | 26.56 | CD0006 | - |
| 30 | 22 | 1765 | 286T | ECP84104T-5 | 28 | 172 | 89.2 | 92.8 | 93.6 | 93.6 | 75 | 83 | 87 | 6311 | 6311 | 27.93 | CD0006 | - |
| 30 | 22 | 1180 | 326T | ECP84117T-5 | 30.9 | 187 | 133 | 92.3 | 93.1 | 93 | 64 | 73 | 78 | 6312 | 6312 | 30.53 | CD0006 | - |
| 40 | 30 | 3540 | 324TS | ECP84109T-5 | 36 | 273 | 59.3 | 92.2 | 93.4 | 92.4 | 80 | 87 | 89 | 6312 | 6312 | 29.03 | CD0006 | - |
| 40 | 30 | 1775 | 324T | ECP84110T-5 | 37 | 226 | 118 | 93.2 | 94.3 | 94.5 | 76 | 84 | 87 | 6312 | 6312 | 30.53 | CD0006 | - |
| 40 | 30 | 1190 | 364T | ECP84308T-5 | 39.5 | 232 | 177 | 93.6 | 94.3 | 94.1 | 69 | 77 | 81 | 6313 | 6313 | 33.44 | 416820-36 | - |
| 50 | 37 | 3560 | 326TS | ECP84114T-5 | 45 | 341 | 73.7 | 91.5 | 92.8 | 93 | 81 | 88 | 90 | 6312 | 6312 | 29.03 | CD0006 | - |
| 50 | 37 | 1775 | 326T | ECP84115T-5 | 45.6 | 318 | 149 | 94.4 | 94.9 | 94.5 | 81 | 80 | 88 | 6312 | 6312 | 30.53 | CD0006 | - |
| 50 | 37 | 1185 | 365T | ECP84312T-5 | 49.3 | 284 | 221 | 93.9 | 94.4 | 94.1 | 70 | 78 | 81 | 6313 | 6313 | 33.44 | 416820-36 | - |
| 60 | 45 | 3560 | 364TS | ECP84310T-5 | 52 | 318 | 88.5 | 95.3 | 95.5 | 95 | 88 | 91 | 91 | 6313 | 6313 | 31.31 | 416820-36 | - |
| 60 | 45 | 1780 | 364T | ECP84314T-5 | 54.4 | 344 | 177 | 95.2 | 95.3 | 95 | 79 | 85 | 87 | 6313 | 6313 | 33.44 | 416820-36 | - |
| 60 | 45 | 1185 | 404T | ECP84403T-5 | 55.2 | 340 | 265 | 94.9 | 95.2 | 95 | 79 | 84 | 86 | 6316 | 6316 | 38.31 | 416820-36 | - |
| 75 | 56 | 3555 | 365TS | ECP84313T-5 | 64.5 | 395 | 111 | 95.1 | 95.4 | 95 | 91 | 92 | 92 | 6313 | 6313 | 31.31 | 416820-36 | - |
| 75 | 56 | 1780 | 365T | ECP84316T-5 | 68.7 | 434 | 221 | 95.7 | 95.8 | 95.4 | 77 | 84 | 86 | 6313 | 6313 | 33.44 | 416820-36 | - |
| 75 | 56 | 1185 | 405T | ECP84404T-5 | 69.5 | 433 | 332 | 95 | 95.3 | 95 | 73 | 82 | 85 | 6316 | 6316 | 38.31 | 416820-36 | - |
| 100 | 75 | 3565 | 405TS | ECP84402T-5 | 88 | 556 | 147 | 94.6 | 95.1 | 95 | 86 | 89 | 90 | 6313 | 6313 | 38.31 | 416820-36 | - |
| 100 | 75 | 1785 | 405T | ECP84400T-5 | 89.6 | 580 | 295 | 95.4 | 95.7 | 95.4 | 83 | 87 | 88 | 6316 | 6316 | 38.31 | 416820-36 | - |
| 100 | 75 | 1188 | 444T | ECP84409T-5 | 92 | 580 | 442 | 94.7 | 95.2 | 95 | 77 | 84 | 86 | 6318 | 6318 | 44.75 | 416820-36 | - |
| 100 | 75 | 1188 | 444T | ECP84409T-5E | 92 | 580 | 442 | 94.7 | 95.2 | 95 | 77 | 84 | 86 | 6318 | 6318 | 44.62 | 416820-36 | 56 |
| 125 | 93 | 3565 | 444TS | ECP84412T-5 | 109 | 678 | 184 | 94.7 | 95.4 | 95.4 | 86 | 90 | 89 | 6313 | 6313 | 40.98 | 416820-36 | - |
| 125 | 93 | 3565 | 444TS | ECP84412T-5E | 109 | 678 | 184 | 94.7 | 95.4 | 95.4 | 86 | 90 | 89 | 6313 | 6313 | 40.88 | 416820-36 | 56 |
| 125 | 93 | 1785 | 444T | ECP84410T-5 | 111 | 726 | 368 | 95.5 | 95.9 | 95.8 | 81 | 87 | 88 | 6318 | 6318 | 44.75 | 416820-36 | - |
| 125 | 93 | 1785 | 444T | ECP84410T-5E | 111 | 726 | 368 | 95.5 | 95.9 | 95.8 | 81 | 87 | 88 | 6318 | 6318 | 44.62 | 416820-36 | 56 |
| 125 | 93 | 1190 | 445T | ECP84411T-5 | 114 | 726 | 551 | 95.3 | 95.7 | 95.4 | 74 | 82 | 86 | 6318 | 6318 | 44.75 | 416820-36 | - |
| 125 | 93 | 1190 | 445T | ECP84411T-5E | 114 | 726 | 551 | 95.3 | 95.7 | 95.4 | 74 | 82 | 86 | 6318 | 6318 | 44.62 | 416820-36 | 56 |
| 150 | 112 | 3575 | 445TS | ECP84413T-5 | 131 | 784 | 220 | 95.9 | 96.4 | 96.2 | 83 | 88 | 89 | 6313 | 6313 | 40.98 | 416820-36 | - |
| 150 | 112 | 3575 | 445TS | ECP84413T-5E | 131 | 784 | 220 | 95.9 | 96.4 | 96.2 | 83 | 88 | 89 | 6313 | 6313 | 40.88 | 416820-36 | 56 |
| 150 | 112 | 1785 | 445T | ECP84406T-5 | 132 | 868 | 441 | 96.4 | 96.6 | 96.2 | 83 | 88 | 89 | 6318 | 6318 | 44.75 | 416820-36 | - |
| 150 | 112 | 1785 | 445T | ECP84406T-5E | 132 | 868 | 441 | 96.4 | 96.6 | 96.2 | 83 | 88 | 89 | 6318 | 6318 | 44.62 | 416820-36 | 56 |
| 150 | 112 | 1190 | 447T | ECP844156TR-5 | 136 | 820 | 663 | 96.3 | 96.2 | 95.8 | 77 | 84 | 86 | NU222 | 6318 | 48.24 | 416820-36 | 5 |
| 150 | 112 | 1190 | 447T | ECP849156TR-5 | 136 | 820 | 663 | 96.3 | 96.2 | 95.8 | 77 | 84 | 86 | NU223 | 6319 | 48.24 | 416820-36 | 5,99 |
| 200 | 149 | 3575 | 445TS | ECP84416T-5 | 177 | 1080 | 294 | 95.9 | 96.4 | 96.2 | 80 | 86 | 88 | 6313 | 6313 | 43.92 | 416820-36 | - |
| 200 | 149 | 3575 | 445TS | ECP84416T-5E | 177 | 1080 | 294 | 95.9 | 96.4 | 96.2 | 80 | 86 | 88 | 6313 | 6313 | 40.88 | 416820-36 | 56 |
| 200 | 149 | 1785 | 447T | ECP84407T-5 | 178 | 1137 | 588 | 96.5 | 96.5 | 96.2 | 77 | 85 | 87 | 6318 | 6318 | 48.24 | 416820-36 | - |
| 200 | 149 | 1785 | 447T | ECP84407T-5E | 178 | 1137 | 588 | 96.5 | 96.5 | 96.2 | 77 | 85 | 87 | NU222 | 6318 | 48.24 | 416820-36 | 5 |
| 200 | 149 | 1785 | 447T | ECP84907T-5 | 178 | 1137 | 588 | 96.5 | 96.5 | 96.2 | 77 | 85 | 87 | 6318 | 6318 | 48.24 | 416820-36 | 99 |
| 200 | 149 | 1785 | 447T | ECP84907T-5E | 178 | 1137 | 588 | 96.5 | 96.5 | 96.2 | 77 | 85 | 87 | NU222 | 6318 | 48.24 | 416820-36 | 5,99 |
| 200 | 149 | 1190 | 449T | ECP844206TR-5 | 180 | 1124 | 883 | 96.1 | 96.2 | 95.8 | 78 | 84 | 87 | NU222 | 6318 | 53.24 | 416820-36 | 5 |
| 200 | 149 | 1190 | 449T | ECP849206TR-5 | 180 | 1124 | 883 | 96.1 | 96.2 | 95.8 | 78 | 84 | 87 | NU222 | 6318 | 53.24 | 416820-36 | 5,99 |
| 250 | 186 | 3570 | 449TS | ECP844252T-5 | 212 | 1321 | 367 | 96.2 | 96.5 | 96.2 | 89 | 91 | 91 | 6313 | 6313 | 49.48 | 416820-36 | - |
| 250 | 186 | 3570 | 449TS | ECP849252T-5 | 212 | 1321 | 367 | 96.2 | 96.5 | 96.2 | 89 | 91 | 91 | 6313 | 6313 | 49.48 | 416820-36 | 99 |
| 250 | 186 | 1785 | 449T | ECP84408T-5 | 220 | 1412 | 736 | 96.7 | 96.6 | 96.2 | 78 | 85 | 88 | 6318 | 6318 | 53.24 | 416820-36 | - |
| 250 | 186 | 1785 | 449T | ECP84408T-5E | 220 | 1412 | 736 | 96.7 | 96.6 | 96.2 | 78 | 85 | 88 | NU222 | 6318 | 53.24 | 416820-36 | 5 |
| 250 | 186 | 1785 | 449T | ECP84908T-5 | 220 | 1412 | 736 | 96.7 | 96.6 | 96.2 | 78 | 85 | 88 | 6318 | 6318 | 53.24 | 416820-36 | 99 |
| 250 | 186 | 1785 | 449T | ECP84908T-5E | 220 | 1412 | 736 | 96.7 | 96.6 | 96.2 | 78 | 85 | 88 | NU222 | 6318 | 53.24 | 416820-36 | 5,99 |

NOTES: 5 = Belted Duty only, Roller Bearing

56 = Single Frame mounting holes in 447 and 449 frame

99 = Has F3 lead outlet hole and an arm mounted conduit box for easy F1 or F2 lead location.

See page 93 for Connection Diagrams. See page 75 for dimensions.

Efficiencies shown are nominal. Data subject to change without notice. Contact Baldor for certified data.

Shaded ratings are cast iron frames.



841XL Super-E® NEMA Premium® Efficient Motors C-Face Foot Mounted



**TEFC - Totally Enclosed Fan Cooled
460 & 575 Volts, Three Phase, 1 - 75 Hp**

| Hp | kW | RPM | Frame | Catalog No. | Amps @ High V | | F.L. Torque | Efficiency % | | | Power Factor % | | | Bearings | | "C" Dim. | Conn. Diag. No. | Notes |
|------------------|------|------|--------|---------------|---------------|------|-------------|--------------|------|------|----------------|-----|------|----------|------|----------|-----------------|-------|
| | | | | | F.L. | L.R. | Lb. Ft. | 1/2 | 3/4 | F.L. | 1/2 | 3/4 | F.L. | DE | ODE | | | |
| 460 Volts | | | | | | | | | | | | | | | | | | |
| 1 | 0.75 | 3450 | 143TC | CECP83580T-4 | 1.4 | 12.1 | 1.5 | 80.5 | 83.6 | 84 | 65 | 77 | 84 | 6205 | 6205 | 13.38 | CD0006 | - |
| 1 | 0.75 | 3450 | 143TC | CENCP83580T-4 | 1.3 | 11.2 | 1.5 | 80.5 | 83.9 | 84 | 73 | 83 | 87 | 6205 | 6205 | 12 | CD0006 | 60 |
| 1 | 0.75 | 1765 | 143TC | CECP83581T-4 | 1.5 | 15 | 3 | 84.4 | 87 | 87.5 | 48 | 60 | 70 | 6205 | 6205 | 13.38 | CD0006 | - |
| 1 | 0.75 | 1765 | 143TC | CENCP83581T-4 | 1.5 | 15 | 3 | 83.6 | 86.7 | 87.5 | 48 | 60 | 70 | 6205 | 6205 | 12 | CD0006 | 60 |
| 1 1/2 | 1.1 | 3450 | 143TC | CECP83583T-4 | 2 | 20.1 | 2.3 | 81.3 | 84.3 | 85.5 | 68 | 78 | 83 | 6205 | 6205 | 13.38 | CD0006 | - |
| 1 1/2 | 1.1 | 1760 | 145TC | CECP83584T-4 | 2.1 | 18 | 4.5 | 86.5 | 88.3 | 88.5 | 54 | 67 | 76 | 6205 | 6205 | 13.38 | CD0006 | - |
| 2 | 1.5 | 3450 | 145TC | CECP83586T-4 | 2.4 | 24.9 | 3 | 84.4 | 86.4 | 86.5 | 79 | 87 | 91 | 6205 | 6205 | 13.38 | CD0006 | - |
| 2 | 1.5 | 1755 | 145TC | CECP83587T-4 | 2.8 | 25 | 6 | 86.9 | 88.5 | 88.5 | 54 | 67 | 75 | 6205 | 6205 | 13.38 | CD0006 | - |
| 3 | 2.2 | 3450 | 182TC | CECP83660T-4 | 3.4 | 32.2 | 4.5 | 87.8 | 88.8 | 88.5 | 86 | 92 | 94 | 6206 | 6206 | 16.69 | CD0006 | - |
| 3 | 2.2 | 1755 | 182TC | CECP83661T-4 | 4.1 | 29.8 | 9.1 | 88.3 | 89.8 | 89.5 | 58 | 70 | 77 | 6206 | 6206 | 16.69 | CD0006 | - |
| 5 | 3.7 | 3450 | 184TC | CECP83663T-4 | 5.6 | 49.1 | 7.6 | 90.8 | 90.8 | 89.5 | 86 | 91 | 93 | 6206 | 6206 | 16.38 | CD0006 | - |
| 5 | 3.7 | 1750 | 184TC | CECP83665T-4 | 6.6 | 54 | 15 | 89.7 | 90.7 | 89.5 | 62 | 74 | 80 | 6206 | 6206 | 16.69 | CD0006 | - |
| 7 1/2 | 5.6 | 3450 | 213TC | CECP83769T-4 | 8.6 | 56.7 | 11.2 | 92.3 | 92.2 | 91.7 | 89 | 93 | 94 | 6307 | 6307 | 20.06 | CD0006 | - |
| 7 1/2 | 5.6 | 1765 | 213TC | CECP83770T-4 | 9.5 | 63.4 | 22.2 | 92 | 92.3 | 91.7 | 66 | 77 | 81 | 6307 | 6307 | 20.06 | CD0006 | - |
| 10 | 7.5 | 3450 | 215TC | CECP83771T-4 | 11.3 | 82.1 | 15 | 92.6 | 92.6 | 90.2 | 91 | 94 | 95 | 6307 | 6307 | 20.06 | CD0006 | - |
| 10 | 7.5 | 1760 | 215TC | CECP83774T-4 | 12.5 | 96.9 | 29.7 | 92.2 | 92.7 | 92.4 | 69 | 79 | 83 | 6307 | 6307 | 20.06 | CD0006 | - |
| 15 | 11 | 3510 | 254TC | CECP82394T-4 | 17 | 116 | 22.2 | 91.5 | 92.2 | 91.7 | 82 | 88 | 91 | 6309 | 6309 | 25.19 | CD0006 | - |
| 15 | 11 | 1765 | 254TC | CECP82333T-4 | 17.6 | 115 | 44.7 | 92.9 | 93.3 | 92.4 | 74 | 83 | 86 | 6309 | 6309 | 25.19 | CD0006 | - |
| 20 | 15 | 3510 | 256TC | CECP84106T-4 | 22 | 142 | 29.6 | 92.7 | 92.7 | 91.7 | 84 | 89 | 91 | 6309 | 6309 | 25.19 | CD0006 | - |
| 20 | 15 | 1765 | 256TC | CECP82334T-4 | 23.1 | 145 | 59.2 | 93.6 | 93.6 | 93 | 76 | 84 | 86 | 6309 | 6309 | 25.19 | CD0006 | - |
| 25 | 19 | 3520 | 284TSC | CECP84107T-4 | 28.5 | 172 | 37.4 | 91.9 | 92.5 | 91.7 | 81 | 87 | 90 | 6311 | 6311 | 26.56 | CD0006 | - |
| 25 | 19 | 1780 | 284TC | CECP84103T-4 | 30.5 | 188 | 74 | 93.4 | 93.9 | 93.6 | 69 | 78 | 82 | 6311 | 6311 | 27.93 | CD0006 | - |
| 30 | 22 | 3520 | 284TSC | CECP84108T-4 | 33 | 215 | 44.5 | 93.2 | 93.6 | 93 | 83 | 88 | 90 | 6311 | 6311 | 26.56 | CD0006 | - |
| 30 | 22 | 1770 | 286TC | CECP84104T-4 | 35 | 217 | 89.2 | 93.3 | 93.8 | 93.6 | 75 | 83 | 87 | 6311 | 6311 | 27.93 | CD0006 | - |
| 40 | 30 | 3540 | 324TSC | CECP84109T-4 | 45 | 350 | 59.2 | 92.2 | 93.4 | 92.4 | 79 | 86 | 89 | 6312 | 6312 | 29.03 | CD0006 | - |
| 40 | 30 | 1775 | 324TC | CECP84110T-4 | 46 | 280 | 119 | 94.2 | 94.8 | 94.5 | 77 | 85 | 87 | 6312 | 6312 | 30.53 | CD0006 | - |
| 50 | 37 | 3560 | 326TSC | CECP84114T-4 | 56 | 434 | 73.7 | 91.6 | 92.8 | 93 | 80 | 87 | 90 | 6312 | 6312 | 29.03 | CD0006 | - |
| 50 | 37 | 1770 | 326TC | CECP84115T-4 | 57 | 344 | 148 | 94.7 | 94.9 | 94.5 | 78 | 85 | 87 | 6312 | 6312 | 30.53 | CD0006 | - |
| 60 | 45 | 3560 | 364TSC | CECP84310T-4 | 65.1 | 398 | 88.5 | 95.3 | 95.5 | 95 | 88 | 91 | 91 | 6313 | 6313 | 31.31 | 416820-36 | - |
| 60 | 45 | 1780 | 364TC | CECP84314T-4 | 68 | 430 | 177 | 95.2 | 95.3 | 95 | 79 | 85 | 87 | 6313 | 6313 | 33.44 | 416820-36 | - |
| 75 | 56 | 3555 | 365TSC | CECP84313T-4 | 80.7 | 494 | 111 | 95.1 | 95.4 | 95 | 91 | 92 | 92 | 6313 | 6313 | 31.31 | 416820-36 | - |
| 75 | 56 | 1780 | 365TC | CECP84316T-4 | 85.9 | 542 | 221 | 95.7 | 95.8 | 95.4 | 77 | 84 | 86 | 6313 | 6313 | 33.44 | 416820-36 | - |
| 575 Volts | | | | | | | | | | | | | | | | | | |
| 2 | 1.5 | 1755 | 145TC | CECP83587T-5 | 2.3 | 19.6 | 6 | 86.8 | 88.1 | 88.5 | 55 | 67 | 76 | 6205 | 6205 | 13.38 | CD0006 | - |
| 3 | 2.2 | 1755 | 182TC | CECP83661T-5 | 3.3 | 23.8 | 9.1 | 88.4 | 89.8 | 89.5 | 59 | 71 | 77 | 6206 | 6206 | 16.69 | CD0006 | - |
| 5 | 3.7 | 1750 | 184TC | CECP83665T-5 | 5.3 | 44 | 15 | 89.7 | 90.7 | 89.5 | 62 | 74 | 80 | 6206 | 6206 | 16.69 | CD0006 | - |
| 7 1/2 | 5.6 | 1765 | 213TC | CECP83770T-5 | 7.6 | 50.7 | 22.2 | 91.6 | 91.9 | 91.7 | 67 | 76 | 80 | 6307 | 6206 | 20.06 | CD0006 | - |
| 10 | 7.5 | 1760 | 215TC | CECP83774T-5 | 9.8 | 66.3 | 29.8 | 92.1 | 92.7 | 91.7 | 70 | 79 | 83 | 6307 | 6307 | 20.06 | CD0006 | - |
| 15 | 11 | 1765 | 254TC | CECP82333T-5 | 14 | 89.4 | 44.6 | 91.7 | 92.5 | 92.4 | 74 | 82 | 86 | 6309 | 6309 | 25.19 | CD0006 | - |
| 20 | 15 | 1765 | 256TC | CECP82334T-5 | 19 | 115 | 59.5 | 92.8 | 93.3 | 93 | 76 | 83 | 86 | 6309 | 6309 | 25.19 | CD0006 | - |
| 25 | 19 | 1770 | 284TC | CECP84103T-5 | 23.9 | 153 | 74.1 | 92.4 | 93.5 | 93.6 | 71 | 80 | 84 | 6311 | 6311 | 27.93 | CD0006 | - |
| 30 | 22 | 1765 | 286TC | CECP84104T-5 | 28 | 172 | 89.2 | 92.8 | 93.6 | 93.6 | 75 | 83 | 87 | 6311 | 6311 | 27.93 | CD0006 | - |
| 40 | 30 | 1775 | 324TC | CECP84110T-5 | 36.8 | 259 | 118 | 93.9 | 94.6 | 94.5 | 70 | 79 | 86 | 6312 | 6312 | 30.53 | CD0006 | - |
| 50 | 37 | 1775 | 326TC | CECP84115T-5 | 45.6 | 318 | 149 | 94.4 | 94.9 | 94.5 | 81 | 80 | 88 | 6312 | 6312 | 30.53 | CD0006 | - |

NOTES: 60 = Totally Enclosed Non-Ventilated Enclosure (TENV)
See page 93 for Connection Diagrams. See page 76 for dimensions.
Efficiencies shown are nominal. Data subject to change without notice. Contact Baldor for certified data.

Shaded ratings are cast iron frames.

841XL Super-E® NEMA Premium® Efficient Motors C-Face Footless



**TEFC - Totally Enclosed Fan Cooled
460 Volts, Three Phase, 1 - 20 Hp**

| Hp | kW | RPM | Frame | Catalog No. | Amps @ High V | | F.L. Torque Lb. Ft. | Efficiency % | | | Power Factor % | | | Bearings | | "C" Dim. | Conn. Diag. No. | Notes |
|-------|------|------|-------|---------------|---------------|------|---------------------|--------------|------|------|----------------|-----|------|----------|------|----------|-----------------|-------|
| | | | | | F.L. | L.R. | | 1/2 | 3/4 | F.L. | 1/2 | 3/4 | F.L. | DE | ODE | | | |
| 1 | 0.75 | 3450 | 143TC | VEPCP83580T-4 | 1.3 | 11.2 | 1.5 | 80.5 | 83.9 | 84 | 73 | 83 | 87 | 6205 | 6205 | 12 | CD0006 | 60 |
| 1 | 0.75 | 1765 | 143TC | VEPCP83581T-4 | 1.5 | 15 | 3 | 83.6 | 86.7 | 87.5 | 48 | 60 | 70 | 6205 | 6205 | 12 | CD0006 | 60 |
| 1 1/2 | 1.1 | 3450 | 143TC | VEPCP83583T-4 | 2 | 20.1 | 2.3 | 81.3 | 84.3 | 85.5 | 68 | 78 | 83 | 6205 | 6205 | 14.56 | CD0006 | - |
| 1 1/2 | 1.1 | 1760 | 145TC | VEPCP83584T-4 | 2.1 | 18 | 4.5 | 86.5 | 88.3 | 88.5 | 54 | 67 | 76 | 6205 | 6205 | 14.56 | CD0006 | - |
| 2 | 1.5 | 3450 | 145TC | VEPCP83586T-4 | 2.4 | 24.9 | 3 | 84.4 | 86.4 | 86.5 | 79 | 87 | 91 | 6205 | 6205 | 14.56 | CD0006 | - |
| 2 | 1.5 | 1755 | 145TC | VEPCP83587T-4 | 2.8 | 25 | 6 | 86.9 | 88.5 | 88.5 | 54 | 67 | 75 | 6205 | 6205 | 14.56 | CD0006 | - |
| 3 | 2.2 | 3450 | 182TC | VEPCP83660T-4 | 3.4 | 32.2 | 4.5 | 87.8 | 88.8 | 88.5 | 86 | 92 | 94 | 6206 | 6206 | 16.69 | CD0006 | - |
| 3 | 2.2 | 1755 | 182TC | VEPCP83661T-4 | 4.1 | 29.8 | 9.1 | 88.3 | 89.8 | 89.5 | 58 | 70 | 77 | 6206 | 6206 | 16.69 | CD0006 | - |
| 5 | 3.7 | 3450 | 184TC | VEPCP83663T-4 | 5.6 | 49.1 | 7.6 | 90.8 | 90.8 | 89.5 | 86 | 91 | 93 | 6206 | 6206 | 16.69 | CD0006 | - |
| 5 | 3.7 | 1750 | 184TC | VEPCP83665T-4 | 6.6 | 54 | 15 | 89.7 | 90.7 | 89.5 | 62 | 74 | 80 | 6206 | 6206 | 16.69 | CD0006 | - |
| 7 1/2 | 5.6 | 3450 | 213TC | VEPCP83769T-4 | 8.6 | 56.7 | 11.2 | 92.3 | 92.3 | 91.7 | 89 | 93 | 94 | 6307 | 6206 | 20.06 | CD0006 | - |
| 7 1/2 | 5.6 | 1765 | 213TC | VEPCP83770T-4 | 9.5 | 63.4 | 22.2 | 92 | 92.3 | 91.7 | 66 | 77 | 81 | 6307 | 6206 | 20.06 | CD0006 | - |
| 10 | 7.5 | 3450 | 215TC | VEPCP83771T-4 | 10.7 | 91.2 | 15 | 91.6 | 91.9 | 91.7 | 87 | 92 | 94 | 6307 | 6206 | 20.06 | CD0006 | - |
| 10 | 7.5 | 1760 | 215TC | VEPCP83774T-4 | 12.2 | 81 | 29.8 | 92.6 | 92.7 | 91.7 | 71 | 80 | 83 | 6307 | 6206 | 20.06 | CD0006 | - |
| 15 | 11 | 3510 | 254TC | VEPCP82394T-4 | 17 | 116 | 22.2 | 91.5 | 92.2 | 91.7 | 82 | 88 | 91 | 6309 | 6309 | 25.19 | CD0006 | - |
| 15 | 11 | 1765 | 254TC | VEPCP82333T-4 | 17.6 | 115 | 44.7 | 92.9 | 93.3 | 92.4 | 74 | 83 | 86 | 6309 | 6309 | 25.19 | CD0006 | - |
| 20 | 15 | 3510 | 256TC | VEPCP84106T-4 | 22 | 142 | 29.6 | 92.7 | 92.7 | 91.7 | 84 | 89 | 91 | 6309 | 6309 | 25.19 | CD0006 | - |
| 20 | 15 | 1765 | 256TC | VEPCP82334T-4 | 23.1 | 145 | 59.2 | 93.6 | 93.6 | 93 | 76 | 84 | 86 | 6309 | 6309 | 25.19 | CD0006 | - |

NOTES: 60 = Totally Enclosed Non-Ventilated Enclosure (TENV) Shaded ratings are cast iron frames.
See page 93 for Connection Diagrams. See page 76 for dimensions.
Efficiencies shown are nominal. Data subject to change without notice. Contact Baldor for certified data.

661XL Super-E® NEMA Premium® Efficient Motors



Baldor•Reliance 661XL motors are designed for belt driven, Air Cooled Heat Exchanger applications in the Petroleum and Chemical Processing 661XL motors include all the design features of the 841XL motor line and also include drive end Roller Bearings on 210 frames and larger to handle heavy belt loads. With exception to the Mobilith grease type required by the application, 661XL motors exceed IEEE 841-2009 specifications. Super-E Designs meet or exceed NEMA Premium® efficiency requirements with Class F insulation system and a 1.15 service factor. A stainless drain in the lower end bracket is provided for vertical shaft down. Shaft up requires removing plug in upper end and reversing drain. Embossed stainless nameplates are marked suitable for Division 2/Zone 2 locations with a T3 (200° C) or lower temperature code. Each 841XL motor includes final test and vibration results and has a 5 year warranty.



**TEFC - Totally Enclosed Fan Cooled
Foot Mounted, 460 Volts, Three Phase, 5 - 75 Hp**

| Hp | kW | RPM | Frame | Catalog No. | Amps @ High V | | F.L. Torque Lb. Ft. | Efficiency % | | | Power Factor % | | | Bearings | | "C" Dim. | Conn. Diag. No. |
|-------|-----|------|-------|--------------|---------------|------|---------------------|--------------|------|------|----------------|-----|------|----------|------|----------|-----------------|
| | | | | | F.L. | L.R. | | 1/2 | 3/4 | F.L. | 1/2 | 3/4 | F.L. | DE | ODE | | |
| 5 | 3.7 | 1750 | 184T | ECP63665T-4 | 6.6 | 45.5 | 15 | 89.9 | 90.4 | 89.5 | 62 | 74 | 79 | 6206 | 6206 | 15.93 | CD0006 |
| 7 1/2 | 5.6 | 1765 | 213T | ECP63770TR-4 | 9.5 | 63.4 | 22.2 | 92 | 92.3 | 91.7 | 66 | 77 | 81 | NU307 | 6307 | 19.32 | CD0006 |
| 10 | 7.5 | 1760 | 215T | ECP63774TR-4 | 12.2 | 81 | 29.8 | 92.6 | 92.7 | 91.7 | 71 | 80 | 83 | NU307 | 6307 | 19.32 | CD0006 |
| 15 | 11 | 1765 | 254T | ECP62333TR-4 | 17.6 | 115 | 44.7 | 92.9 | 93.3 | 92.4 | 74 | 83 | 86 | NU309 | 6309 | 25.06 | CD0006 |
| 20 | 15 | 1765 | 256T | ECP62334TR-4 | 23.1 | 145 | 59.2 | 93.6 | 93.6 | 93 | 76 | 84 | 86 | NU309 | 6309 | 25.06 | CD0006 |
| 25 | 19 | 1780 | 284T | ECP64103TR-4 | 30.5 | 188 | 74 | 93.4 | 93.9 | 93.6 | 69 | 78 | 82 | NU311 | 6311 | 27.93 | CD0006 |
| 30 | 22 | 1770 | 286T | ECP64104TR-4 | 35 | 217 | 89.2 | 93.3 | 93.8 | 93.6 | 75 | 83 | 87 | NU311 | 6311 | 27.93 | CD0006 |
| 40 | 30 | 1775 | 324T | ECP64110TR-4 | 46 | 280 | 119 | 94.2 | 94.8 | 94.5 | 77 | 85 | 87 | NU312 | 6312 | 30.53 | CD0006 |
| 50 | 37 | 1770 | 326T | ECP64115TR-4 | 57 | 344 | 148 | 94.7 | 94.9 | 94.5 | 78 | 85 | 87 | NU312 | 6312 | 30.53 | CD0006 |
| 60 | 45 | 1780 | 364T | ECP64314TR-4 | 68 | 430 | 177 | 95.2 | 95.3 | 95 | 79 | 85 | 87 | NU313 | 6313 | 33.44 | 416820-36 |
| 75 | 56 | 1780 | 365T | ECP64316TR-4 | 85.9 | 542 | 221 | 95.7 | 95.8 | 95.4 | 77 | 84 | 86 | NU313 | 6313 | 33.44 | 416820-36 |

NOTES: See page 75 for Layout drawing. See page 93 for Connection Diagrams. Shaded ratings are cast iron frames.
Efficiencies shown are nominal. Data subject to change without notice. Contact Baldor for certified data.

Crusher Duty Motors



Baldor•Reliance Crusher Duty motors are designed for Belt-driven rock crushers, pellet mills, and other applications requiring motors rated for severe duty service and high starting torques.

Crusher Duty Super-E® motors have NEMA Premium® efficiency, Class F insulation and a 1.15 Service Factor. A High torque design exceeds NEMA Design C locked rotor, pull up and breakdown torques. Pulley end roller bearings and high strength steel shaft for belted loads only; not suitable for direct coupled loads. Regreaseable bearing. Oversize, rotatable cast iron conduit box. V-Ring shaft seal. Stainless steel nameplate and corrosion resistant epoxy finish and hardware.



TEFC - Totally Enclosed Fan Cooled Foot Mounted, 460 Volts, Three Phase, 75 - 200 Hp

| Hp | kW | RPM | Frame | Catalog No. | Amps @ High V | | F.L. Torque Lb. Ft. | Efficiency % | | | Power Factor % | | | Bearings | | “C” Dim. | Conn. Diag. No. | Notes |
|-----|-----|------|-------|--------------|---------------|------|---------------------|--------------|------|------|----------------|-----|------|----------|------|----------|-----------------|-------|
| | | | | | F.L. | L.R. | | 1/2 | 3/4 | F.L. | 1/2 | 3/4 | F.L. | DE | ODE | | | |
| 75 | 56 | 1185 | 404T | ECR4404TR-4 | 91 | 615 | 332 | 94.1 | 94.7 | 94.5 | 66 | 77 | 82 | 6316 | 6316 | 38.31 | 416820-36 | - |
| 100 | 75 | 1785 | 405T | ECR4400TR-4 | 115 | 853 | 295 | 95 | 95.5 | 95.4 | 73 | 72 | 75 | 6316 | 6316 | 38.31 | 416820-36 | - |
| 100 | 75 | 1190 | 444T | ECR4409TR-4 | 119 | 868 | 442 | 94.6 | 95.2 | 95 | 69 | 79 | 83 | NU222 | 6318 | 44.75 | 416820-36 | - |
| 100 | 75 | 1190 | 444T | ECR4909TR-4 | 119 | 868 | 442 | 94.6 | 95.2 | 95 | 69 | 79 | 83 | NU223 | 6319 | 44.75 | 416820-36 | 99 |
| 125 | 93 | 1785 | 444T | ECR4410TR-4 | 149 | 1005 | 368 | 95.2 | 95.6 | 95.4 | 66 | 76 | 81 | NU222 | 6318 | 44.75 | 416820-36 | - |
| 125 | 93 | 1785 | 444T | ECR4910TR-4 | 149 | 1005 | 368 | 95.2 | 95.6 | 95.4 | 66 | 76 | 81 | NU222 | 6318 | 44.75 | 416820-36 | 99 |
| 125 | 93 | 1190 | 445T | ECR4411TR-4 | 148 | 1089 | 552 | 94.4 | 95.1 | 95 | 69 | 79 | 83 | NU222 | 6318 | 48.24 | 416820-36 | - |
| 125 | 93 | 1190 | 445T | ECR4911TR-4 | 148 | 1089 | 552 | 94.4 | 95.1 | 95 | 69 | 79 | 83 | NU222 | 6318 | 48.24 | 416820-36 | 99 |
| 150 | 112 | 1785 | 445T | ECR4406TR-4 | 180 | 1314 | 441 | 95.5 | 96 | 95.8 | 65 | 76 | 82 | NU222 | 6318 | 48.24 | 416820-36 | - |
| 150 | 112 | 1785 | 445T | ECR4906TR-4 | 180 | 1314 | 441 | 95.5 | 96 | 95.8 | 65 | 76 | 82 | NU222 | 6318 | 48.24 | 416820-36 | 99 |
| 150 | 112 | 1190 | 447T | ECR44156TR-4 | 172 | 1297 | 662 | 95.6 | 95.9 | 95.8 | 74 | 82 | 85 | NU222 | 6318 | 53.24 | 416820-36 | - |
| 150 | 112 | 1190 | 447T | ECR49156TR-4 | 172 | 1297 | 662 | 95.6 | 95.9 | 95.8 | 74 | 82 | 85 | NU222 | 6318 | 53.24 | 416820-36 | 99 |
| 200 | 149 | 1785 | 447T | ECR4407TR-4 | 232 | 1668 | 588 | 96.1 | 96.3 | 96.2 | 70 | 80 | 84 | NU222 | 6318 | 53.24 | 416820-36 | - |
| 200 | 149 | 1785 | 447T | ECR4907TR-4 | 232 | 1668 | 588 | 96.1 | 96.3 | 96.2 | 70 | 80 | 84 | NU222 | 6318 | 53.24 | 416820-36 | 99 |
| 200 | 149 | 1190 | 449T | ECR44206TR-4 | 232 | 1805 | 884 | 95.6 | 95.9 | 95.8 | 71 | 80 | 84 | NU222 | 6318 | 53.24 | 416820-36 | - |
| 200 | 149 | 1190 | 449T | ECR49206TR-4 | 232 | 1805 | 884 | 95.6 | 95.9 | 95.8 | 71 | 80 | 84 | NU222 | 6318 | 53.24 | 416820-36 | 99 |

NOTES: 99 = Has F3 lead outlet hole and an arm mounted conduit box for easy F1 or F2 lead location. Contact Baldor for Layout drawing. See page 96 for Connection Diagrams. Efficiencies shown are nominal. Data subject to change without notice. Contact Baldor for certified data.

Shaded ratings are cast iron frames.

Dirty Duty Motors

Baldor•Reliance Dirty Duty motors are designed for use in petro-chemical plants, mines, foundries, pulp and paper plants, waste management facilities, chemical plants, tropical climates and other processing industry applications requiring protection against corrosion caused by severe environmental operating conditions. Designed with a 416 stainless steel shaft for applications requiring additional protection from corrosive environments. Super-E Designs meet or exceed NEMA Premium® efficiency requirements with a Class F insulation system and a 1.15 service factor. All ratings meet 50°C ambient at 1.0 Service Factor.



TEFC - Totally Enclosed Fan Cooled – 208-230/460 & 575 Volts, Three Phase, 1 - 15 Hp

| Hp | kW | RPM | Frame | Catalog No. | Amps @ High V | | F.L. Torque Lb. Ft. | Efficiency % | | | Power Factor % | | | Bearings | | Voltage | “C” Dim. | Conn. Diag. No. |
|------------------------|------|------|-------|-------------|---------------|-------|---------------------|--------------|------|------|----------------|-----|------|----------|------|-------------|----------|-----------------|
| | | | | | F.L. | L.R. | | 1/2 | 3/4 | F.L. | 1/2 | 3/4 | F.L. | DE | ODE | | | |
| Foot Mounted | | | | | | | | | | | | | | | | | | |
| 1 | 0.75 | 1760 | 143T | EM8003T | 1.5 | 12.1 | 2.97 | 82.1 | 84.8 | 85.5 | 49 | 62 | 71 | 6205 | 6203 | 208-230/460 | 12.75 | CD0005 |
| 1 1/2 | 1.1 | 1765 | 145T | EM8004T | 2.3 | 20.7 | 4.54 | 83.8 | 86.4 | 86.5 | 49 | 62 | 71 | 6205 | 6203 | 208-230/460 | 12.75 | CD0005 |
| 2 | 1.5 | 1750 | 145T | EM8005T | 2.9 | 25 | 5.95 | 85.1 | 87.1 | 86.5 | 53 | 66 | 75 | 6205 | 6203 | 208-230/460 | 12.75 | CD0005 |
| 3 | 2.2 | 1755 | 182T | EM8006T | 4.1 | 29.8 | 9.06 | 88.9 | 90.1 | 89.5 | 58 | 70 | 77 | 6206 | 6205 | 208-230/460 | 15.93 | CD0005 |
| 5 | 3.7 | 1750 | 184T | EM8007T | 6.6 | 45.5 | 15 | 89.8 | 90.3 | 89.5 | 63 | 73 | 79 | 6206 | 6205 | 208-230/460 | 15.93 | CD0005 |
| 7 1/2 | 5.6 | 1770 | 213T | EM8008T | 9.5 | 68 | 22.1 | 91.1 | 91.9 | 91.7 | 65 | 76 | 81 | 6307 | 6206 | 208-230/460 | 19.32 | CD0005 |
| 10 | 7.5 | 1760 | 215T | EM8009T | 12.2 | 81 | 29.8 | 92.5 | 92.9 | 91.7 | 71 | 80 | 83 | 6307 | 6206 | 208-230/460 | 19.32 | CD0005 |
| 15 | 11 | 1765 | 254T | EM8010T | 18.5 | 122.9 | 44.6 | 91.9 | 92.6 | 92.4 | 66 | 77 | 82 | 6309 | 6208 | 208-230/460 | 23.25 | CD0005 |
| C-Face Footless | | | | | | | | | | | | | | | | | | |
| 1 | 0.75 | 1760 | 143TC | VEM8003T-5 | 1.2 | 9.66 | 2.97 | 81.9 | 84.8 | 85.5 | 49 | 62 | 71 | 6205 | 6203 | 575 | 13.25 | CD0006 |
| 1 1/2 | 1.1 | 1760 | 145TC | VEM8004T-5 | 1.7 | 14.3 | 4.5 | 86.5 | 88.2 | 88.5 | 54 | 67 | 76 | 6205 | 6203 | 575 | 13.25 | CD0006 |
| 2 | 1.5 | 1750 | 145TC | VEM8005T-5 | 2.3 | 20 | 5.95 | 85.2 | 87 | 86.5 | 53 | 66 | 74 | 6205 | 6203 | 575 | 13.25 | CD0006 |

NOTES: See page 68 for Layout drawing. See page 93 for Connection Diagrams. Efficiencies shown are nominal. Data subject to change without notice. Contact Baldor for certified data.

Shaded ratings are cast iron frames.

Dirty Duty Autophoretic Motors C-Face Foot Mounted

In applications where additional protection is required against corrosive and intense high-pressure washdown and marine applications Baldor’s Dirty Duty Autophoretic motors are the answer. Features include corrosion-resistant autophoretic coating on steel and cast iron components, stainless steel shaft extension, non-contact rotating labyrinth shaft seal on drive and fan ends, threaded drain ports, stainless steel plugs, gasketed and sealed conduit box, IP56 enclosure. Motors have NEMA Premium® efficiency levels, Class F insulation and a 1.15 service factor.



TEFC - Totally Enclosed Fan Cooled 208-230/460 Volts, Three Phase, 1 - 10 Hp

| Hp | kW | RPM | Frame | Catalog No. | Amps @ High V | | F.L. Torque Lb. Ft. | Efficiency % | | | Power Factor % | | | Bearings | | “C” Dim. | Conn. Diag. No. |
|-------|-----|------|-------|-------------|---------------|------|---------------------|--------------|------|------|----------------|-----|------|----------|------|----------|-----------------|
| | | | | | F.L. | L.R. | | 1/2 | 3/4 | F.L. | 1/2 | 3/4 | F.L. | DE | ODE | | |
| 2 | 1.5 | 1755 | 145TC | CEWAM3558T | 2.9 | 24.3 | 5.95 | 84.2 | 86.4 | 86.5 | 51 | 64 | 73 | 6205 | 6203 | 14.23 | CD0005 |
| 3 | 2.2 | 3450 | 145TC | CEWAM3559T | 3.6 | 33 | 4.5 | 87.9 | 88.2 | 86.5 | 81 | 88 | 92 | 6205 | 6203 | 14.23 | CD0005 |
| 3 | 2.2 | 1760 | 182TC | CEWAM3611T | 4.2 | 32 | 8.88 | 87.8 | 89.5 | 89.5 | 54 | 68 | 75 | 6206 | 6205 | 16.6 | CD0005 |
| 3 | 2.2 | 1160 | 213TC | CEWAM3704T | 4.6 | 34.4 | 13.4 | 87.7 | 89.4 | 89.5 | 49 | 61 | 68 | 6307 | 6206 | 19.76 | CD0005 |
| 5 | 3.7 | 3450 | 184TC | CEWAM3613T | 5.6 | 33.5 | 7.5 | 88.2 | 89.5 | 88.5 | 82 | 90 | 93 | 6206 | 6205 | 16.6 | CD0005 |
| 5 | 3.7 | 1750 | 184TC | CEWAM3615T | 6.7 | 49.1 | 14.9 | 89.7 | 90.3 | 89.5 | 60 | 72 | 78 | 6206 | 6205 | 18.1 | CD0005 |
| 5 | 3.7 | 1160 | 215TC | CEWAM3708T | 7.2 | 51.2 | 22.6 | 90.7 | 91.1 | 89.5 | 55 | 66 | 72 | 6307 | 6206 | 20.51 | CD0005 |
| 7 1/2 | 5.6 | 3500 | 213TC | CEWAM3709T | 8.6 | 77 | 11.4 | 90.5 | 91.3 | 89.5 | 77 | 85 | 88 | 6307 | 6206 | 18.63 | CD0005 |
| 7 1/2 | 5.6 | 1770 | 213TC | CEWAM3710T | 9.4 | 71.6 | 22.3 | 91.8 | 92.4 | 91.7 | 62 | 75 | 81 | 6307 | 6206 | 19.76 | CD0005 |
| 7 1/2 | 5.6 | 1180 | 254TC | CEWAM22976T | 11 | 75.8 | 33.2 | 90.3 | 91.6 | 91 | 51 | 63 | 70 | 6309 | 6208 | 23.57 | CD0005 |
| 10 | 7.5 | 3450 | 215TC | CEWAM3711T | 11.8 | 98 | 15 | 91.7 | 91.9 | 90.2 | 85 | 88 | 90 | 6307 | 6206 | 18.63 | CD0005 |
| 10 | 7.5 | 1770 | 215TC | CEWAM3714T | 12 | 103 | 29.5 | 92.1 | 92.4 | 91.7 | 66 | 79 | 85 | 6307 | 6206 | 21.26 | CD0005 |
| 10 | 7.5 | 1180 | 256TC | CEWAM23932T | 15.1 | 107 | 44.3 | 89.4 | 91.2 | 91 | 49 | 61 | 68 | 6309 | 6208 | 23.57 | CD0180 |

NOTES: See page 67 for Layout drawing. See page 93 for Connection Diagrams. Efficiencies shown are nominal. Data subject to change without notice. Contact Baldor for certified data.

Premium Efficient Super-E® Washdown Motors



For multi-shift food and pharmaceutical processing applications, Baldor•Reliance Washdown Duty motors deliver both reliability and energy cost savings. The standard in the food and pharmaceutical processing industries for more than 25 years, Baldor Washdown Duty motors continually raise the bar with more features to improved reliability. The improved exterior paint process makes the finish coat five times more resistant to corrosion and chipping. Mobil Polyrex® EM grease provides improved lubrication life, provides greater shear stability and superior resistance to washout, rust and corrosion. Distinctive black drain plugs make them easy to recognize and are easily removable.



TEFC - Totally Enclosed Fan Cooled, TENV - Totally Enclosed Non-Ventilated 230/460 Volts, Three Phase, 1 - 20 Hp

| Hp | kW | RPM | Frame | Encl. | Catalog No. | Amps @ High V | | Full Load Torque Lb. Ft. | Efficiency % | | | Power Factor % | | | Bearings | | Volt Code | "C" Dim. | Conn. Diag. No. |
|----------------------------|------|------|-------|-------|--------------------|---------------|--------------|--------------------------|--------------|------|-----------|----------------|-----|-----------|----------|------|-----------|----------|-----------------|
| | | | | | | Full Load | Locked Rotor | | 1/2 | 3/4 | Full Load | 1/2 | 3/4 | Full Load | DE | ODE | | | |
| Foot Mounted | | | | | | | | | | | | | | | | | | | |
| 1 | 0.75 | 1745 | 143T | TENV | EWDM3546T | 1.5 | 13.5 | 3.02 | 83.4 | 85.4 | 85.5 | 53 | 67 | 76 | 6205 | 6203 | E | 12.12 | CD0005 |
| 1 1/2 | 1.1 | 1755 | 145T | TENV | EWDM3554T | 2.1 | 20 | 4.45 | 87 | 88.3 | 88.8 | 54 | 68 | 76 | 6205 | 6203 | E | 13.00 | CD0005 |
| 2 | 1.5 | 1755 | 145T | TEFC | EWDM3558T | 2.9 | 24.3 | 5.95 | 84.2 | 86.4 | 87.3 | 51 | 64 | 73 | 6205 | 6203 | E | 14.17 | CD0005 |
| 3 | 2.2 | 1760 | 182T | TEFC | EWDM3611T | 4.2 | 32 | 8.88 | 87.8 | 89.5 | 89.6 | 54 | 68 | 75 | 6206 | 6205 | E | 16.54 | CD0005 |
| 5 | 3.7 | 1750 | 184T | TEFC | EWDM3615T | 6.7 | 49.1 | 14.9 | 89.7 | 90.3 | 89.8 | 60 | 72 | 78 | 6206 | 6205 | E | 18.04 | CD0005 |
| 7 1/2 | 5.6 | 1770 | 213T | TEFC | EWDM3710T | 9.4 | 70.1 | 22.4 | 92.2 | 92.7 | 92.2 | 63 | 75 | 81 | 6307 | 6206 | E1 | 19.04 | CD0005 |
| 10 | 7.5 | 1770 | 215T | TEFC | EWDM3714T | 12 | 103 | 29.5 | 92.1 | 92.4 | 91.8 | 66 | 79 | 85 | 6307 | 6206 | F | 20.54 | CD0005 |
| C-Face Foot Mounted | | | | | | | | | | | | | | | | | | | |
| 1 | 0.75 | 3450 | 56C | TEFC | CEWDM3545 | 1.4 | 9 | 1.5 | 67.8 | 73.5 | 75.1 | 74 | 81 | 85 | 6205 | 6203 | F | 12.24 | CD0005 |
| 1 | 0.75 | 1745 | 56C | TENV | CEWDM3546 | 1.5 | 13.5 | 3 | 83.4 | 85.4 | 85.5 | 53 | 67 | 76 | 6205 | 6203 | E | 12.06 | CD0005 |
| 1 | 0.75 | 1745 | 143TC | TENV | CEWDM3546T | 1.5 | 13.5 | 3.02 | 83.4 | 85.4 | 85.5 | 53 | 67 | 76 | 6205 | 6203 | E | 12.12 | CD0005 |
| 1 | 0.75 | 1155 | 56C | TEFC | CEWDM3556 | 1.8 | 10.8 | 4.51 | 79.4 | 82.3 | 82.7 | 43 | 55 | 64 | 6205 | 6203 | E | 13.24 | CD0005 |
| 1 1/2 | 1.1 | 3500 | 56C | TENV | CEWDM3550 | 2 | 23.5 | 2.3 | 82.5 | 85.2 | 86.1 | 71 | 81 | 87 | 6205 | 6203 | E | 12.06 | CD0005 |
| 1 1/2 | 1.1 | 1755 | 145TC | TENV | CEWDM3554T | 2.1 | 20 | 4.45 | 87 | 88.3 | 88.8 | 54 | 68 | 76 | 6205 | 6203 | E | 13.00 | CD0005 |
| 2 | 1.5 | 3490 | 56HCY | TEFC | CEWDM3555 | 2.5 | 25.9 | 2.98 | 83.5 | 85.9 | 86.4 | 75 | 84 | 88 | 6205 | 6203 | E | 13.24 | CD0005 |
| 2 | 1.5 | 3490 | 145TC | TEFC | CEWDM3555T | 2.5 | 25.9 | 2.98 | 83.5 | 85.9 | 86.4 | 75 | 84 | 88 | 6205 | 6203 | E | 13.28 | CD0005 |
| 2 | 1.5 | 1755 | 145TC | TEFC | CEWDM3558T | 2.9 | 24.3 | 5.95 | 84.2 | 86.4 | 87.3 | 51 | 64 | 73 | 6205 | 6203 | E | 14.16 | CD0005 |
| 2 | 1.5 | 1750 | 145TC | TENV | CEWDM3558T | 2.7 | 25 | 5.95 | 88.5 | 89.5 | 89.1 | 60 | 72 | 80 | 6205 | 6203 | E | 14.37 | CD0005 |
| 2 | 1.5 | 1175 | 184TC | TEFC | CEWDM3614T | 3.5 | 27.5 | 8.91 | 85.3 | 88.0 | 88.9 | 40 | 52 | 60 | 6206 | 6205 | E | 18.04 | CD0005 |
| 3 | 2.2 | 3450 | 145TC | TEFC | CEWDM3559T | 3.5 | 39.2 | 4.59 | 87.7 | 88.3 | 87.6 | 81 | 88 | 92 | 6205 | 6203 | F | 15.55 | CD0005 |
| 3 | 2.2 | 3450 | 182TC | TEFC | CEWDM3610T | 3.6 | 33.1 | 4.61 | 87.9 | 88.2 | 87.2 | 81 | 88 | 92 | 6206 | 6203 | E | 15.18 | CD0005 |
| 3 | 2.2 | 1760 | 182TC | TEFC | CEWDM3611T | 4.2 | 32 | 8.88 | 87.8 | 89.5 | 89.6 | 54 | 68 | 75 | 6206 | 6205 | E | 16.54 | CD0005 |
| 3 | 2.2 | 1160 | 213TC | TEFC | CEWDM3704T | 4.6 | 34.4 | 13.4 | 87.7 | 89.4 | 89.5 | 49 | 61 | 68 | 6307 | 6206 | E | 19.78 | CD0005 |
| 5 | 3.7 | 3450 | 184TC | TEFC | CEWDM3613T | 5.9 | 57.2 | 7.64 | 88.4 | 89.1 | 88.3 | 81 | 88 | 91 | 6206 | 6205 | E | 16.54 | CD0005 |
| 5 | 3.7 | 1750 | 184TC | TEFC | CEWDM3615T | 6.7 | 49.1 | 14.9 | 89.7 | 90.3 | 89.8 | 60 | 72 | 78 | 6206 | 6205 | E | 18.04 | CD0005 |
| 5 | 3.7 | 1160 | 215TC | TEFC | CEWDM3708T | 7.3 | 51.6 | 22.7 | 89.8 | 90.4 | 89.7 | 55 | 66 | 73 | 6307 | 6206 | E | 20.53 | CD0005 |
| 7 1/2 | 5.6 | 3450 | 184TC | TEFC | CEWDM3616T | 8.4 | 91 | 11.4 | 90.6 | 90.7 | 89.8 | 85 | 90 | 93 | 6206 | 6205 | E | 18.04 | CD0005 |
| 7 1/2 | 5.6 | 3520 | 213TC | TEFC | CEWDM3709T | 9 | 68.4 | 11.2 | 88.8 | 90.5 | 90.6 | 69 | 79 | 84 | 6307 | 6206 | E | 18.64 | CD0005 |
| 7 1/2 | 5.6 | 1770 | 213TC | TEFC | CEWDM3710T | 9.4 | 70.1 | 22.4 | 92.2 | 92.7 | 92.2 | 63 | 75 | 81 | 6307 | 6206 | E1 | 19.78 | CD0005 |
| 7 1/2 | 5.6 | 1180 | 254TC | TEFC | CEWDM22976T | 11 | 75.8 | 33.2 | 90.3 | 91.6 | 91.3 | 51 | 63 | 70 | 6309 | 6208 | E | 23.57 | CD0005 |
| 10 | 7.5 | 3490 | 215TC | TEFC | CEWDM3711T | 11.8 | 78.5 | 15 | 91 | 91.3 | 90.8 | 74 | 84 | 87 | 6307 | 6206 | E | 18.64 | CD0005 |
| 10 | 7.5 | 1770 | 215TC | TEFC | CEWDM3714T | 12 | 103 | 29.5 | 92.1 | 92.4 | 91.8 | 66 | 79 | 85 | 6307 | 6206 | F | 21.27 | CD0005 |
| 10 | 7.5 | 1180 | 256TC | TEFC | CEWDM23932T | 15.1 | 107 | 44.3 | 89.4 | 91.2 | 91.4 | 49 | 61 | 68 | 6309 | 6208 | E | 23.57 | CD0180 |
| 15 | 11 | 3500 | 215TC | TEFC | CEWDM3713T | 17 | 150 | 22.1 | 91.5 | 92.2 | 91.8 | 77 | 85 | 88 | 6307 | 6206 | E | 21.26 | CD0180 |
| 15 | 11 | 3500 | 254TC | TEFC | CEWDM23994T | 16.6 | 161 | 22.5 | 91.5 | 91.8 | 91.2 | 87 | 92 | 93 | 6309 | 6206 | E1 | 21.94 | CD0005 |
| 15 | 11 | 1765 | 254TC | TEFC | CEWDM23933T | 18 | 125 | 45 | 92.1 | 93 | 92.8 | 71 | 81 | 86 | 6309 | 6208 | F | 23.57 | CD0005 |
| 20 | 15 | 3520 | 256TC | TEFC | CEWDM41906T | 22.5 | 165.7 | 29.8 | 92.5 | 93 | 92.5 | 79 | 86 | 90 | 6309 | 6208 | F | 23.57 | CD0005 |
| 20 | 15 | 1765 | 256TC | TEFC | CEWDM23934T | 24 | 171 | 60 | 92.9 | 93.5 | 93.2 | 67 | 79 | 84 | 6309 | 6208 | E | 23.57 | CD0180 |

NOTE: Volt Code: E = 208-230/460V, 60Hz; E1 = 230/460V, 60Hz, usable at 208V; F = 230/460V, 60 Hz
See page 82 for Layout drawing. See page 93 for Connection Diagrams.
Efficiencies shown are nominal. Data subject to change without notice. Contact Baldor for certified data.

**TEFC - Totally Enclosed Fan Cooled, TENV - Totally Enclosed Non-Ventilated
230/460 Volts, Three Phase, 1 - 20 Hp**



| Hp | kW | RPM | Frame | Encl. | Catalog No. | Amps @ High V | | Full Load Torque Lb. Ft. | Efficiency % | | | Power Factor % | | | Bearings | | Volt Code | "C" Dim. | Conn. Diag. No. |
|------------------------|------|------|-------|-------|--------------------|---------------|--------------|--------------------------|--------------|------|-----------|----------------|-----|-----------|----------|------|-----------|----------|-----------------|
| | | | | | | Full Load | Locked Rotor | | 1/2 | 3/4 | Full Load | 1/2 | 3/4 | Full Load | DE | ODE | | | |
| C-Face Footless | | | | | | | | | | | | | | | | | | | |
| 1 | 0.75 | 1750 | 56C | TENV | VEWDM3546 | 1.4 | 14.1 | 3.0 | 87.1 | 88.4 | 87.5 | 60 | 73 | 80 | 6205 | 6203 | F | 12.94 | CD0005 |
| | 0.75 | 1750 | 143TC | TENV | VEWDM3546T | 1.4 | 14.1 | 3.0 | 87.1 | 88.4 | 87.5 | 60 | 73 | 80 | 6205 | 6203 | F | 13.00 | CD0005 |
| | 0.75 | 1765 | 143TC | TEFC | VEFWDM3546T | 1.5 | 15.0 | 3.0 | 84.4 | 87.0 | 87.5 | 48 | 60 | 70 | 6205 | 6203 | E1 | 13.30 | CD0005 |
| 1.5 | 1.1 | 1740 | 56C | TENV | VEWDM3554 | 2.0 | 17.6 | 4.5 | 87.7 | 88.3 | 86.5 | 61 | 74 | 81 | 6205 | 6203 | E1 | 12.94 | CD0005 |
| | 1.1 | 1740 | 145TC | TENV | VEWDM3554T | 2.0 | 17.6 | 4.5 | 87.7 | 88.3 | 86.5 | 61 | 74 | 81 | 6205 | 6203 | E1 | 13.00 | CD0005 |
| | 1.1 | 1760 | 143TC | TEFC | VEFWDM3554T | 2.1 | 19.7 | 4.5 | 87.1 | 88.2 | 89.5 | 54 | 68 | 76 | 6205 | 6203 | E1 | 14.18 | CD0005 |
| 2 | 1.5 | 1725 | 56C | TEFC | VEWDM3558 | 2.7 | 19.6 | 6.0 | 87.9 | 88.3 | 86.5 | 64 | 76 | 82 | 6205 | 6203 | E | 14.18 | CD0005 |
| | 1.5 | 1725 | 145TC | TEFC | VEWDM3558T | 2.7 | 19.6 | 6 | 87.9 | 88.3 | 86.5 | 64 | 76 | 82 | 6205 | 6203 | E | 14.18 | CD0005 |
| 3 | 2.2 | 1760 | 182TC | TEFC | VEWDM3611T | 4.1 | 32.0 | 9.0 | 89.1 | 90.0 | 89.5 | 58 | 71 | 77 | 6206 | 6205 | E | 16.54 | CD0005 |
| 5 | 3.7 | 1750 | 184TC | TEFC | VEWDM3615T | 6.5 | 53.7 | 15.0 | 89.7 | 90.7 | 90.2 | 62 | 74 | 80 | 6206 | 6205 | E1 | 18.05 | CD0005 |
| 7.5 | 5.6 | 1770 | 213TC | TEFC | VEWDM3710T | 9.4 | 72.0 | 22.2 | 92.2 | 91.8 | 91.7 | 63 | 75 | 81 | 6307 | 6206 | E1 | 19.78 | CD0005 |
| 10 | 7.5 | 1760 | 215TC | TEFC | VEWDM3714T | 12.5 | 93.8 | 30.0 | 92.6 | 93.0 | 92.4 | 67 | 77 | 82 | 6307 | 6206 | E | 21.27 | CD0005 |

NOTE: Volt Code: E = 208-230/460V, 60Hz; E1 = 230/460V, 60Hz, usable at 208V; F = 230/460V, 60 Hz
See page 82 for Layout drawing. See page 93 for Connection Diagrams.
Efficiencies shown are nominal. Data subject to change without notice. Contact Baldor for certified data.

575 Volt Washdown Duty Motors



**TEFC - Totally Enclosed Fan Cooled, TENV - Totally Enclosed Non-Ventilated
C-Face Foot Mounted, 575 Volts, Three Phase, 1 - 20 Hp**

| Hp | kW | RPM | Frame | Encl. | Catalog No. | Amps @ High V | | Full Load Torque Lb. Ft. | Efficiency % | | | Power Factor % | | | Bearings | | "C" Dim. | Conn. Diag. No. |
|-------|------|------|-------|-------|----------------------|---------------|--------------|--------------------------|--------------|------|-----------|----------------|-----|-----------|----------|------|----------|-----------------|
| | | | | | | Full Load | Locked Rotor | | 1/2 | 3/4 | Full Load | 1/2 | 3/4 | Full Load | DE | ODE | | |
| 1 | 0.75 | 1800 | 56C | TENV | CEWDM3546-5 | 1.1 | 12 | 3 | 82.9 | 85.9 | 87.5 | 54 | 68 | 80 | 6205 | 6203 | 12.94 | CD0006 |
| 1 1/2 | 1.1 | 1800 | 145TC | TENV | CEWDM3554T-5 | 1.6 | 14 | 4.5 | 86.1 | 87.4 | 86.5 | 60 | 73 | 83 | 6205 | 6203 | 13 | CD0006 |
| 2 | 1.5 | 1800 | 145TC | TEFC | CEWDM3558T-5 | 2.2 | 15.7 | 6 | 88.1 | 88.1 | 86.5 | 66 | 77 | 82 | 6205 | 6203 | 14.16 | CD0006 |
| 3 | 2.2 | 1800 | 182TC | TEFC | CEWDM3611T-5 | 3.1 | 25.6 | 9 | 89.1 | 90 | 89.5 | 58 | 71 | 77 | 6206 | 6205 | 16.54 | CD0006 |
| 5 | 3.7 | 1800 | 184TC | TEFC | CEWDM3615T-5 | 5.2 | 43 | 15 | 89.7 | 90.7 | 90.2 | 62 | 74 | 80 | 6206 | 6205 | 18.04 | CD0006 |
| 7 1/2 | 5.6 | 1800 | 213TC | TEFC | CEWDM3710T-5 | 8.2 | 58 | 22 | 90.5 | 91.7 | 91.7 | 56 | 68 | 76 | 6206 | 6205 | 19.78 | CD0006 |
| 10 | 7.5 | 1800 | 215TC | TEFC | CEWDM3714T-5 | 10.1 | 67 | 30 | 91.7 | 92.4 | 91.7 | 62 | 75 | 81 | 6206 | 6205 | 21.27 | CD0006 |
| 15 | 11.2 | 1800 | 254TC | TEFC | CEWDM23933T-5 | 14.5 | 101 | 45 | 92 | 92.9 | 92.4 | 73 | 84 | 84 | 6206 | 6205 | 23.57 | CD0006 |
| 20 | 14.9 | 1800 | 256TC | TEFC | CEWDM23934T-5 | 19 | 134 | 60 | 93 | 93.5 | 93 | 75 | 83 | 84 | 6206 | 6205 | 23.57 | CD0006 |

NOTE: See page 82 for Layout drawing. See page 93 for Connection Diagrams.
Efficiencies shown are nominal. Data subject to change without notice. Contact Baldor for certified data.

Super White Washdown Duty Motors

The new Super White Washdown Duty motors incorporate all of the great features of Baldor's white washdown duty motors. This includes improved exterior paint, 300 series stainless steel shaft, hardware and nameplate, easily removable drain plugs, neoprene gaskets and sealers. Additionally, this new line of motors includes a labyrinth seal on each end of motor, same size bearings on each end, and enhanced sealing around the lead exit. Super-E® with NEMA Premium® efficiency and 3-year warranty.



TEFC - Totally Enclosed Fan Cooled C-Face Foot Mounted, 230/460 Volts, Three Phase, 1 - 20 Hp

| Hp | kW | RPM | Frame | Encl. | Catalog No. | Amps @ High V | | Full Load Torque Lb. Ft. | Efficiency % | | | Power Factor % | | | Bearings | | Volt Code | "C" Dim. | Conn. Diag. No. |
|-------|------|------|-------|-------|-------------|---------------|--------------|--------------------------|--------------|------|-----------|----------------|-----|-----------|----------|------|-----------|----------|-----------------|
| | | | | | | Full Load | Locked Rotor | | 1/2 | 3/4 | Full Load | 1/2 | 3/4 | Full Load | DE | ODE | | | |
| 1 | 0.75 | 3450 | 56C | TEFC | CEWWD3545 | 1.4 | 9 | 1.5 | 67.8 | 73.5 | 75.1 | 74 | 81 | 85 | 6205 | 6205 | F | 12.35 | CD0005 |
| 1 | 0.75 | 1745 | 56C | TEFC | CEFWWD3546 | 1.5 | 12.1 | 2.97 | 82.1 | 84.8 | 85.6 | 49 | 62 | 71 | 6205 | 6205 | E | 12.35 | CD0005 |
| 1 | 0.75 | 1745 | 143TC | TEFC | CEFWWD3546T | 1.5 | 12.1 | 2.97 | 82.1 | 84.8 | 85.6 | 49 | 62 | 71 | 6205 | 6205 | E | 13.28 | CD0005 |
| 1 1/2 | 1.1 | 3500 | 56C | TEFC | CEFWWD3550 | 2 | 23.5 | 2.3 | 82.5 | 85.2 | 86.1 | 71 | 81 | 87 | 6205 | 6205 | E | 13.32 | CD0005 |
| 1 1/2 | 1.1 | 1755 | 145TC | TEFC | CEFWWD3554T | 2.2 | 18.3 | 4.47 | 84.5 | 86.8 | 87.1 | 51 | 65 | 73 | 6205 | 6205 | E | 13.28 | CD0005 |
| 2 | 1.5 | 3490 | 56HCY | TEFC | CEWWD3555 | 2.5 | 25.9 | 2.98 | 83.5 | 85.9 | 86.4 | 75 | 84 | 88 | 6205 | 6205 | E | 13.32 | CD0005 |
| 2 | 1.5 | 3490 | 145TC | TEFC | CEWWD3555T | 2.5 | 25.9 | 2.98 | 83.5 | 85.9 | 86.4 | 75 | 84 | 88 | 6205 | 6205 | E | 13.28 | CD0005 |
| 2 | 1.5 | 1755 | 145TC | TEFC | CEWWD3558T | 2.9 | 24.3 | 5.95 | 84.2 | 86.4 | 87.3 | 51 | 64 | 73 | 6205 | 6205 | E | 14.17 | CD0005 |
| 3 | 2.2 | 3450 | 145TC | TEFC | CEWWD3559T | 3.5 | 39.2 | 4.59 | 87.7 | 88.3 | 87.6 | 81 | 88 | 92 | 6205 | 6205 | F | 15.55 | CD0005 |
| 3 | 2.2 | 3450 | 182TC | TEFC | CEWWD3610T | 3.6 | 33.1 | 4.61 | 87.9 | 88.2 | 88.5 | 81 | 88 | 92 | 6206 | 6206 | E | 16.54 | CD0005 |
| 3 | 2.2 | 1760 | 182TC | TEFC | CEWWD3611T | 4.2 | 32 | 8.88 | 87.8 | 89.5 | 89.6 | 54 | 68 | 75 | 6206 | 6206 | E | 16.54 | CD0005 |
| 5 | 3.7 | 3450 | 184TC | TEFC | CEWWD3613T | 5.9 | 57.2 | 7.64 | 88.4 | 89.1 | 88.3 | 81 | 88 | 91 | 6206 | 6206 | E | 16.54 | CD0005 |
| 5 | 3.7 | 1750 | 184TC | TEFC | CEWWD3615T | 6.7 | 49.1 | 14.9 | 89.7 | 90.3 | 89.8 | 60 | 72 | 78 | 6206 | 6206 | E | 18.04 | CD0005 |
| 7 1/2 | 5.6 | 3450 | 184TC | TEFC | CEWWD3616T | 8.4 | 91 | 11.4 | 90.6 | 90.7 | 89.8 | 85 | 90 | 93 | 6206 | 6206 | E | 18.04 | CD0005 |
| 7 1/2 | 5.6 | 3520 | 213TC | TEFC | CEWWD3709T | 9 | 68.4 | 10.9 | 88.8 | 90.5 | 90.6 | 69 | 79 | 84 | 6307 | 6307 | E | 18.64 | CD0005 |
| 7 1/2 | 5.6 | 1770 | 213TC | TEFC | CEWWD3710T | 9.4 | 70.1 | 22.4 | 92.2 | 92.7 | 92.2 | 63 | 75 | 81 | 6307 | 6307 | E1 | 19.78 | CD0005 |
| 10 | 7.5 | 3490 | 215TC | TEFC | CEWWD3711T | 11.8 | 78.5 | 15 | 91 | 91.3 | 90.8 | 74 | 84 | 87 | 6307 | 6307 | E | 18.64 | CD0005 |
| 10 | 7.5 | 1770 | 215TC | TEFC | CEWWD3714T | 12 | 103 | 29.5 | 92.1 | 92.4 | 91.7 | 66 | 79 | 85 | 6307 | 6307 | F | 21.27 | CD0005 |
| 15 | 11 | 3500 | 215TC | TEFC | CEWWD3713T | 17 | 150 | 22.1 | 91.5 | 92.2 | 91.8 | 77 | 85 | 88 | 6307 | 6307 | E | 21.26 | CD0180 |
| 15 | 11 | 3500 | 254TC | TEFC | CEWWD23994T | 16.7 | 135 | 22.1 | 91.1 | 92 | 91.7 | 80 | 87 | 90 | 6309 | 6309 | F | 23.57 | CD0005 |
| 15 | 11 | 1765 | 254TC | TEFC | CEWWD23933T | 18 | 125 | 45 | 92.1 | 93 | 92.8 | 71 | 81 | 86 | 6309 | 6309 | F | 23.57 | CD0005 |
| 20 | 15 | 3520 | 256TC | TEFC | CEWWD41906T | 22.5 | 165.7 | 29.8 | 92.5 | 93 | 92.5 | 79 | 86 | 90 | 6309 | 6309 | F | 23.57 | CD0005 |
| 20 | 15 | 1765 | 256TC | TEFC | CEWWD23934T | 24 | 171 | 60 | 92.9 | 93.5 | 93.2 | 67 | 79 | 84 | 6309 | 6309 | E | 23.57 | CD0180 |

NOTE: Volt Code: E = 208-230/460V, 60Hz; E1 = 230/460V, 60Hz, usable at 208V; F = 230/460V, 60 Hz

See page 82 for Layout drawing. See page 93 for Connection Diagrams.

Efficiencies shown are nominal. Data subject to change without notice. Contact Baldor for certified data.

Stainless Super-E® SSE Washdown Duty Motor

Condensation drain holes with stainless screw-in plugs allow for thorough drainage in any mounting position.

Nameplate data laser etched on the motor frame eliminates contamination trapped beneath traditional bolt-on nameplates.

Inverter spike resistant Class H insulation system allows operation on adjustable speed drives to further increase efficiency on fans, pumps and process control applications.

E3 Effusion Epoxy Encapsulation™ process prevents any moisture from reaching the windings and seals the lead entrance to the conduit box.

Precision die cast aluminum rotor – Precision balanced and coated with an epoxy primer to resist corrosion.

Premium external and internal bearing protection on each end of motor.

Bi-directional cooling fan designed for low friction and windage losses

Lipped conduit box lid prevents water from entering.

Neoprene rubber gasket on conduit box – Ensures a tight, waterproof seal.

Conduit box is welded to the frame to provide a leak-proof seal.

Silicone injected wire nuts provided for connection.

Neoprene o-rings seal frame to endplate joint and prevent water entry.

Four face drain holes – Multiple drain holes allows for drainage of c-face in any position.

Multiple foot mounting holes – Makes motor change-out easy.



Fully welded foot – No crevices around motor feet eliminates potential for contamination buildup.

NEMA Premium

Super-E design with NEMA Premium® efficiency for low electricity use.

All stainless steel construction including shaft, housing, conduit box and cover, base, fan cover and endplates. Impervious to rust and deterioration caused by high pressure caustic sanitizing. Provides longer trouble-free life than conventional motors.



SSE™ Super-E® Encapsulated Stainless Motors



Over the years, Baldor has worked with industry leaders in food processing to design washdown duty motors that meet and exceed their application demands.

Our Stainless Super-E® encapsulated washdown duty motors are another example of the best getting better. Baldor's SSE™ Stainless Super-E® is designed to perform longer than any other industrial electric motor available today, in the most corrosive and caustic applications subjected to frequent high-pressure sanitizing.

With unmatched quality and superior reliability, Baldor's SSE Stainless Super-E motors have again set the standard that all other washdown duty motors will be judged against.



TEFC - Totally Enclosed Fan Cooled, TENV - Totally Enclosed Non-Ventilated 230/460 Volts, Three Phase, 1/2 - 10 Hp

| Hp | kW | RPM | Frame | Encl. | Catalog No. | Amps @ High V | | Full Load Torque Lb. Ft. | Efficiency % | | | Power Factor % | | | Bearings | | Volt Code | "C" Dim. | Conn. Dia. No. |
|----------------------------------|------|------|-------|-------|---------------|---------------|--------------|--------------------------|--------------|------|------|----------------|-----|----|----------|------|-----------|----------|----------------|
| | | | | | | Full Load | Locked Rotor | | 1/2 | 3/4 | FL | 1/2 | 3/4 | FL | DE | ODE | | | |
| Foot Mounted, F1 Mounting | | | | | | | | | | | | | | | | | | | |
| 1/2 | 0.37 | 3500 | 56C | TENV | CSSEWDM3537 | 0.7 | 7.4 | 0.76 | 80.4 | 83.7 | 84.8 | 59 | 72 | 80 | 6205 | 6205 | E | 11.75 | CD0005 |
| 1/2 | 0.37 | 1765 | 56C | TENV | CSSEWDM3538 | 0.9 | 7.5 | 1.49 | 77.9 | 81.9 | 83.6 | 41 | 54 | 64 | 6205 | 6205 | E1 | 11.75 | CD0005 |
| 1/2 | 0.37 | 1155 | 56C | TENV | CSSEWDM3539 | 0.9 | 4.9 | 2.14 | 71.7 | 76.6 | 77.3 | 40 | 54 | 63 | 6205 | 6205 | E | 11.75 | CD0005 |
| 3/4 | 0.56 | 3500 | 56C | TENV | CSSEWDM3541 | 1 | 10.4 | 1.13 | 85 | 86.8 | 86.8 | 67 | 79 | 85 | 6205 | 6205 | E | 11.75 | CD0005 |
| 3/4 | 0.56 | 1760 | 56C | TENV | CSSEWDM3542 | 1.3 | 10.7 | 2.25 | 79.1 | 82.7 | 84.0 | 43 | 55 | 65 | 6205 | 6205 | E | 12.75 | CD0005 |
| 3/4 | 0.56 | 1160 | 56C | TENV | CSSEWDM3543 | 1.3 | 9 | 3.4 | 78.6 | 82.0 | 82.8 | 43 | 56 | 64 | 6205 | 6205 | E | 13.63 | CD0005 |
| 1 | 0.75 | 3450 | 56C | TENV | CSSEWDM3545 | 1.4 | 18.3 | 1.5 | 76.8 | 81.5 | 83.3 | 61 | 73 | 80 | 6205 | 6205 | E | 12.75 | CD0005 |
| 1 | 0.75 | 1760 | 56C | TENV | CSSEWDM3546 | 1.5 | 15 | 2.98 | 84.4 | 87.2 | 87.8 | 49 | 63 | 72 | 6205 | 6205 | E | 12.75 | CD0005 |
| 1 | 0.75 | 1760 | 143TC | TENV | CSSEWDM3546T | 1.5 | 15 | 2.98 | 84.4 | 87.2 | 87.8 | 49 | 63 | 72 | 6205 | 6205 | E | 12.80 | CD0005 |
| 1 | 0.75 | 1155 | 56C | TEFC | CSSEWDM3556 | 1.7 | 10.5 | 4.53 | 80.7 | 83.6 | 84.0 | 45 | 58 | 65 | 6205 | 6205 | E | 16.13 | CD0005 |
| 1 1/2 | 1.1 | 3500 | 56C | TENV | CSSEWDM3550 | 1.8 | 20.6 | 2.31 | 82.3 | 85.2 | 86.1 | 77 | 86 | 92 | 6205 | 6205 | E | 13.63 | CD0005 |
| 1 1/2 | 1.1 | 3500 | 143TC | TENV | CSSEWDM3550T | 1.8 | 20.6 | 2.31 | 82.3 | 85.2 | 86.1 | 77 | 86 | 92 | 6205 | 6205 | E | 13.61 | CD0005 |
| 1 1/2 | 1.1 | 1765 | 56C | TEFC | CSSEWDM3554 | 2.2 | 20 | 4.49 | 86 | 88.2 | 88.6 | 52 | 66 | 74 | 6205 | 6205 | F | 14.75 | CD0005 |
| 1 1/2 | 1.1 | 1765 | 145TC | TEFC | CSSEWDM3554T | 2.2 | 20 | 4.49 | 86 | 88.2 | 88.6 | 52 | 66 | 74 | 6205 | 6205 | F | 14.81 | CD0005 |
| 2 | 1.5 | 3500 | 56C | TEFC | CSSEWDM3555 | 2.5 | 31 | 3 | 83.7 | 86 | 86.6 | 76 | 85 | 90 | 6205 | 6205 | E | 14.75 | CD0005 |
| 2 | 1.5 | 3500 | 145TC | TEFC | CSSEWDM3555T | 2.5 | 31 | 3 | 83.7 | 86 | 86.6 | 76 | 85 | 90 | 6205 | 6205 | E | 14.81 | CD0005 |
| 2 | 1.5 | 1755 | 56C | TEFC | CSSEWDM3558 | 2.7 | 24.1 | 5.99 | 87.3 | 88.7 | 88.8 | 55 | 69 | 77 | 6205 | 6205 | E | 16.13 | CD0005 |
| 2 | 1.5 | 1755 | 145TC | TEFC | CSSEWDM3558T | 2.7 | 24.1 | 5.99 | 87.3 | 88.7 | 88.8 | 55 | 69 | 77 | 6205 | 6205 | E | 16.19 | CD0005 |
| 2 | 1.5 | 1175 | 184TC | TEFC | CSSEWDM3614T | 3.5 | 26 | 8.95 | 85.2 | 87.7 | 88.5 | 41 | 53 | 61 | 6206 | 6206 | E1 | 19.25 | CD0005 |
| 3 | 2.2 | 3470 | 145TC | TEFC | CSSEWDM3559T | 3.7 | 48.3 | 4.5 | 86.3 | 87.2 | 86.9 | 79 | 87 | 91 | 6205 | 6205 | E | 16.19 | CD0005 |
| 3 | 2.2 | 1760 | 182TC | TEFC | CSSEWDM3611T | 4.2 | 34.1 | 9.04 | 88.1 | 89.6 | 89.7 | 56 | 69 | 76 | 6206 | 6206 | F | 19.25 | CD0005 |
| 5 | 3.7 | 3500 | 184TC | TEFC | CSSEWDM3613T | 5.6 | 62.5 | 7.5 | 89 | 90 | 89.6 | 83 | 89 | 93 | 6206 | 6206 | E | 17.75 | CD0005 |
| 5 | 3.7 | 1750 | 184TC | TEFC | CSSEWDM3615T | 6.5 | 48.3 | 15.2 | 90.5 | 90.7 | 89.8 | 64 | 75 | 81 | 6206 | 6206 | E | 19.25 | CD0005 |
| 7 1/2 | 5.6 | 3500 | 213TC | TEFC | CSSEWDM3709T | 8.3 | 87 | 11.5 | 90.9 | 92.1 | 91.9 | 79 | 90 | 93 | 6307 | 6307 | E | 20.43 | CD0005 |
| 7 1/2 | 5.6 | 1770 | 213TC | TEFC | CSSEWDM3710T | 9.5 | 73 | 22.3 | 91.6 | 92.2 | 91.9 | 65 | 75 | 81 | 6307 | 6307 | E1 | 21.62 | CD0005 |
| 10 | 7.5 | 3500 | 215TC | TEFC | CSSEWDM3711T | 10.6 | 115 | 15 | 92 | 92.4 | 91.8 | 83 | 91 | 94 | 6307 | 6307 | E | 21.62 | CD0005 |
| 10 | 7.5 | 1770 | 215TC | TEFC | CSSEWDM3714T | 12.5 | 105.2 | 29.9 | 92.5 | 93.1 | 92.8 | 65 | 76 | 81 | 6307 | 6307 | E | 23.06 | CD0180 |
| Foot Mounted, F2 Mounting | | | | | | | | | | | | | | | | | | | |
| 1 | 0.75 | 1760 | 143TC | TENV | CSSEWDFM3546T | 1.5 | 15 | 2.98 | 84.4 | 87.2 | 87.8 | 49 | 63 | 72 | 6205 | 6205 | E | 12.80 | CD0005 |
| 1 1/2 | 1.1 | 1765 | 145TC | TEFC | CSSEWDFM3554T | 2.2 | 20 | 4.49 | 86 | 88.2 | 88.6 | 52 | 66 | 74 | 6205 | 6205 | F | 14.81 | CD0005 |
| 2 | 1.5 | 1755 | 145TC | TEFC | CSSEWDFM3558T | 2.7 | 24.1 | 5.99 | 87.3 | 88.7 | 88.8 | 55 | 69 | 77 | 6205 | 6205 | E | 16.19 | CD0005 |
| 3 | 2.2 | 1760 | 182TC | TEFC | CSSEWDFM3611T | 4.2 | 34.1 | 9.04 | 88.1 | 89.6 | 89.7 | 56 | 69 | 76 | 6206 | 6206 | F | 19.25 | CD0005 |
| 5 | 3.7 | 1750 | 184TC | TEFC | CSSEWDFM3615T | 6.5 | 48.3 | 15.2 | 90.5 | 90.7 | 89.8 | 64 | 75 | 81 | 6206 | 6206 | E | 19.25 | CD0005 |

NOTE: Volt Code: E = 208-230/460V, 60Hz; E1 = 230/460V, 60Hz, usable at 208V; F = 230/460V, 60 Hz.
See page 82 for Layout drawing. See page 93 for Connection Diagrams.
Efficiencies shown are nominal. Data subject to change without notice. Contact Baldor for certified data.

SSE™ Super-E® Encapsulated Stainless Motors

continued...



TEFC - Totally Enclosed Fan Cooled, TENV - Totally Enclosed Non-Ventilated 230/460 Volts, Three Phase, 1/2 - 2 Hp

| Hp | kW | RPM | Frame | Encl. | Catalog No. | Amps @ High V | | Full Load Torque Lb. Ft. | Efficiency % | | | Power Factor % | | | Bearings | | Volt Code | "C" Dim. | Conn. Diag. No. |
|------------------------|------|------|-------|-------|--------------|---------------|--------------|--------------------------|--------------|------|-----------|----------------|-----|-----------|----------|------|-----------|----------|-----------------|
| | | | | | | Full Load | Locked Rotor | | 1/2 | 3/4 | Full Load | 1/2 | 3/4 | Full Load | DE | ODE | | | |
| C-Face Footless | | | | | | | | | | | | | | | | | | | |
| 1/2 | 0.37 | 3500 | 56C | TENV | VSSEWDM3537 | 0.7 | 7.4 | 0.76 | 80.4 | 83.7 | 84.8 | 59 | 72 | 80 | 6205 | 6205 | E | 11.75 | CD0005 |
| 1/2 | 0.37 | 1765 | 56C | TEFC | VSSEWDM3538 | 0.9 | 7.5 | 1.49 | 77.6 | 81.5 | 83.8 | 41 | 53 | 63 | 6205 | 6205 | E | 12.88 | CD0005 |
| 1/2 | 0.37 | 1765 | 56C | TENV | VSSEWDM3538 | 0.9 | 7.5 | 1.49 | 77.9 | 81.9 | 83.6 | 41 | 54 | 64 | 6205 | 6205 | E1 | 11.75 | CD0005 |
| 3/4 | 0.56 | 3500 | 56C | TENV | VSSEWDM3541 | 1 | 10.4 | 1.13 | 85 | 86.8 | 86.8 | 67 | 79 | 85 | 6205 | 6205 | E | 11.75 | CD0005 |
| 3/4 | 0.56 | 1760 | 56C | TEFC | VSSEWDM3542 | 1.3 | 10.7 | 2.25 | 78.6 | 82.5 | 84.1 | 43 | 55 | 65 | 6205 | 6205 | F | 13.88 | CD0005 |
| 3/4 | 0.56 | 1760 | 56C | TENV | VSSEWDM3542 | 1.3 | 10.7 | 2.25 | 79.1 | 82.7 | 84 | 43 | 55 | 65 | 6205 | 6205 | E | 12.75 | CD0005 |
| 3/4 | 0.56 | 1160 | 56C | TENV | VSSEWDM3543 | 1.3 | 9 | 3.4 | 78.6 | 82.0 | 82.8 | 43 | 56 | 64 | 6205 | 6205 | E | 13.63 | CD0005 |
| 1 | 0.75 | 3450 | 56C | TENV | VSSEWDM3545 | 1.4 | 18.3 | 1.5 | 76.8 | 81.5 | 83.3 | 61 | 73 | 80 | 6205 | 6205 | E | 12.75 | CD0005 |
| 1 | 0.75 | 1760 | 56C | TEFC | VSSEWDM3546 | 1.5 | 15 | 2.98 | 84 | 86.7 | 87.6 | 50 | 63 | 72 | 6205 | 6205 | E1 | 13.88 | CD0005 |
| 1 | 0.75 | 1760 | 143TC | TEFC | VSSEWDM3546T | 1.5 | 15 | 2.98 | 84 | 86.7 | 87.6 | 50 | 63 | 72 | 6205 | 6205 | E1 | 13.94 | CD0005 |
| 1 | 0.75 | 1760 | 56C | TENV | VSSEWDM3546 | 1.5 | 15 | 2.98 | 84.4 | 87.2 | 87.8 | 49 | 63 | 72 | 6205 | 6205 | E | 12.75 | CD0005 |
| 1 | 0.75 | 1760 | 143TC | TENV | VSSEWDM3546T | 1.5 | 15 | 2.98 | 84.4 | 87.2 | 87.8 | 49 | 63 | 72 | 6205 | 6205 | E | 12.80 | CD0005 |
| 1 | 0.75 | 1155 | 56C | TEFC | VSSEWDM3556 | 1.7 | 10.5 | 4.53 | 80.7 | 83.6 | 84 | 45 | 58 | 65 | 6205 | 6205 | E | 16.13 | CD0005 |
| 1 1/2 | 1.1 | 3500 | 56C | TENV | VSSEWDM3550 | 1.8 | 20.6 | 2.31 | 82.3 | 85.2 | 86.1 | 77 | 86 | 92 | 6205 | 6205 | E | 13.63 | CD0005 |
| 1 1/2 | 1.1 | 3500 | 143TC | TENV | VSSEWDM3550T | 1.8 | 20.6 | 2.31 | 82.3 | 85.2 | 86.1 | 77 | 86 | 92 | 6205 | 6205 | E | 13.61 | CD0005 |
| 1 1/2 | 1.1 | 1765 | 56C | TEFC | VSSEWDM3554 | 2.2 | 20 | 4.49 | 86 | 88.2 | 88.6 | 52 | 66 | 74 | 6205 | 6205 | E1 | 14.75 | CD0005 |
| 1 1/2 | 1.1 | 1765 | 145TC | TEFC | VSSEWDM3554T | 2.2 | 20 | 4.49 | 86 | 88.2 | 88.6 | 52 | 66 | 74 | 6205 | 6205 | E1 | 14.81 | CD0005 |
| 2 | 1.5 | 3500 | 145TC | TEFC | VSSEWDM3555T | 2.5 | 31 | 3 | 83.7 | 86 | 86.6 | 76 | 85 | 90 | 6205 | 6205 | E | 14.81 | CD0005 |
| 2 | 1.5 | 1755 | 56C | TEFC | VSSEWDM3558 | 2.7 | 24.1 | 5.99 | 87.3 | 88.7 | 88.8 | 55 | 69 | 77 | 6205 | 6205 | E | 16.13 | CD0005 |
| 2 | 1.5 | 1755 | 145TC | TEFC | VSSEWDM3558T | 2.7 | 24.1 | 5.99 | 87.3 | 88.7 | 88.8 | 55 | 69 | 77 | 6205 | 6205 | E | 16.19 | CD0005 |

NOTE: Volt Code: E = 208-230/460V, 60Hz; E1 = 230/460V, 60Hz, usable at 208V; F = 230/460V, 60 Hz.
See page 82 for Layout drawing. See page 93 for Connection Diagrams. Efficiencies shown are nominal. Data subject to change without notice. Contact Baldor for certified data.

Stainless Steel Washdown Duty Motors

In applications where additional protection is required against highly corrosive environments, Baldor's Stainless Steel Washdown Duty motors are the answer. Typical applications include outdoor installations, or applications where particularly corrosive agents are being processed or used for washdowns, as in pharmaceuticals. Features include 300 Series stainless steel on all external surfaces, and a labyrinth seal on both ends of the shaft extension to protect motor bearings by rotating and expelling contaminants.



TEFC - Totally Enclosed Fan Cooled, TENV - Totally Enclosed Non-Ventilated 230/460 & 575 Volts, Three Phase, 1 - 20 Hp

| Hp | kW | RPM | Frame | Encl. | Catalog No. | Amps @ High V | | Full Load Torque Lb. Ft. | Efficiency % | | | Power Factor % | | | Bearings | | Volt Code | "C" Dim. | Conn. Diag. No. |
|---|------|------|-------|-------|--------------|---------------|--------------|--------------------------|--------------|------|-----------|----------------|-----|-----------|----------|------|-----------|----------|-----------------|
| | | | | | | Full Load | Locked Rotor | | 1/2 | 3/4 | Full Load | 1/2 | 3/4 | Full Load | DE | ODE | | | |
| 230/460 Volt, C-Face, Foot Mounted | | | | | | | | | | | | | | | | | | | |
| 1 | 0.75 | 1760 | 143TC | TEFC | CESSWDM3546T | 1.5 | 15 | 2.98 | 83.5 | 86.5 | 87.3 | 47 | 61 | 70 | 6205 | 6203 | E | 13.42 | CD0005 |
| 1 1/2 | 1.1 | 3500 | 56C | TENV | CESSWDM3550 | 1.8 | 20.6 | 2.31 | 82.3 | 85.2 | 86.1 | 77 | 86 | 92 | 6205 | 6203 | E | 12.97 | CD0005 |
| 1 1/2 | 1.1 | 3500 | 143TC | TENV | CESSWDM3550T | 1.8 | 20.6 | 2.31 | 82.3 | 85.2 | 86.1 | 77 | 86 | 92 | 6205 | 6203 | E | 13.23 | CD0005 |
| 1 1/2 | 1.1 | 1760 | 145TC | TEFC | CESSWDM3554T | 2.1 | 18.6 | 4.46 | 85.8 | 87.7 | 87.8 | 53 | 66 | 74 | 6205 | 6203 | E | 13.42 | CD0005 |
| 2 | 1.5 | 3500 | 145TC | TEFC | CESSWDM3555T | 2.5 | 31 | 3 | 83.8 | 86 | 86.6 | 71 | 82 | 86 | 6205 | 6203 | E | 14.30 | CD0005 |
| 2 | 1.5 | 1755 | 145TC | TEFC | CESSWDM3558T | 2.8 | 25.9 | 5.91 | 86.8 | 88.3 | 88.5 | 55 | 67 | 76 | 6205 | 6203 | E | 15.67 | CD0005 |
| 3 | 2.2 | 3470 | 145TC | TEFC | CESSWDM3559T | 3.7 | 48.3 | 4.5 | 86.4 | 87.3 | 86.9 | 79 | 87 | 90 | 6205 | 6203 | E | 15.67 | CD0005 |
| 3 | 2.2 | 3500 | 182TC | TEFC | CESSWDM3610T | 3.7 | 42 | 4.55 | 87.9 | 89.3 | 89.2 | 72 | 83 | 87 | 6206 | 6205 | E | 16.82 | CD0005 |
| 3 | 2.2 | 1760 | 182TC | TEFC | CESSWDM3611T | 4.2 | 34.1 | 9.04 | 88.3 | 89.7 | 89.7 | 56 | 69 | 76 | 6206 | 6205 | E1 | 18.32 | CD0005 |

NOTE: Volt Code: E1 = 230/460V, 60Hz, usable at 208V; F = 230/460 volts, 60 Hz.
See page 82 for Layout drawing. See page 93 for Connection Diagrams.
Efficiencies shown are nominal. Data subject to change without notice. Contact Baldor for certified data.

**TEFC - Totally Enclosed Fan Cooled, TENV - Totally Enclosed Non-Ventilated
230/460 & 575 Volts, Three Phase, 1 - 20 Hp**



| Hp | kW | RPM | Frame | Encl. | Catalog No. | Amps @ High V | | Full Load Torque Lb. Ft. | Efficiency % | | | Power Factor % | | | Bearings | | Volt Code | "C" Dim. | Conn. Diag. No. |
|---|------|------|-------|-------|----------------|---------------|--------------|--------------------------|--------------|------|-----------|----------------|-----|-----------|----------|------|-----------|----------|-----------------|
| | | | | | | Full Load | Locked Rotor | | 1/2 | 3/4 | Full Load | 1/2 | 3/4 | Full Load | DE | ODE | | | |
| 230/460 Volt, C-Face, Foot Mounted (continued) | | | | | | | | | | | | | | | | | | | |
| 5 | 3.7 | 3480 | 184TC | TEFC | CESSWDM3613T | 5.7 | 69.6 | 7.55 | 88.9 | 90.4 | 90.4 | 76 | 87 | 91 | 6206 | 6205 | E1 | 18.32 | CD0005 |
| 5 | 3.7 | 1750 | 184TC | TEFC | CESSWDM3615T | 6.5 | 48.3 | 15 | 90.3 | 90.6 | 89.8 | 64 | 75 | 81 | 6206 | 6205 | F | 18.32 | CD0005 |
| 7 1/2 | 5.6 | 3500 | 213TC | TEFC | CESSWDM3709T | 8.3 | 87 | 11.5 | 90.9 | 92.2 | 91.9 | 86 | 90 | 95 | 6307 | 6206 | E1 | 19.03 | CD0005 |
| 7 1/2 | 5.6 | 1770 | 213TC | TEFC | CESSWDM3710T | 9.5 | 73 | 22.3 | 91.6 | 92.2 | 91.9 | 65 | 75 | 81 | 6307 | 6206 | F | 20.16 | CD0005 |
| 10 | 7.5 | 3500 | 215TC | TEFC | CESSWDM3711T | 10.6 | 115 | 15 | 92 | 92.4 | 91.8 | 83 | 91 | 94 | 6307 | 6206 | E | 20.16 | CD0005 |
| 10 | 7.5 | 1770 | 215TC | TEFC | CESSWDM3714T | 12.5 | 105 | 29.9 | 92.6 | 93.3 | 93 | 65 | 76 | 81 | 6307 | 6206 | E1 | 21.66 | CD0005 |
| 15 | 11 | 3520 | 254TC | TEFC | CESSWDM23994T | 16.5 | 145 | 22.1 | 89.6 | 91.1 | 91.3 | 84 | 90 | 92 | 6309 | 6208 | E | 24.67 | CD0005 |
| 15 | 11 | 1765 | 254TC | TEFC | CESSWDM23933T | 17.7 | 126 | 44.6 | 91.3 | 92.5 | 92.7 | 71 | 81 | 86 | 6309 | 6208 | E1 | 24.67 | CD0005 |
| 20 | 15 | 3525 | 256TC | TEFC | CESSWDM41906T | 21.5 | 152 | 29.6 | 93.5 | 93.3 | 92.5 | 88 | 92 | 93 | 6309 | 6208 | F | 24.67 | CD0005 |
| 20 | 15 | 1765 | 256TC | TEFC | CESSWDM23934T | 23.4 | 162 | 59.3 | 92.9 | 93.4 | 93 | 75 | 83 | 86 | 6309 | 6208 | F | 24.67 | CD0180 |
| 575 Volt, C-Face, Foot Mounted | | | | | | | | | | | | | | | | | | | |
| 1 | 0.75 | 1765 | 143TC | TEFC | CESSWDM3546T-5 | 1.3 | 12.2 | 3 | 83.4 | 86.4 | 87.9 | 47 | 60 | 70 | 6205 | 6203 | H | 13.42 | CD0006 |
| 1 1/2 | 1.1 | 1760 | 145TC | TEFC | CESSWDM3554T-5 | 1.7 | 14.9 | 4.46 | 85.9 | 87.6 | 87.7 | 52 | 66 | 74 | 6205 | 6203 | H | 13.42 | CD0006 |
| 2 | 1.5 | 1755 | 145TC | TEFC | CESSWDM3558T-5 | 2.2 | 20.4 | 5.91 | 87 | 88.1 | 88.5 | 56 | 68 | 76 | 6205 | 6203 | H | 15.67 | CD0006 |

NOTE: Volt Code: E1 = 230/460V, 60Hz, usable at 208V, F = 230/460 volts, 60 Hz.

See page 82 for Layout drawing. See page 93 for Connection Diagrams. Efficiencies shown are nominal. Data subject to change without notice. Contact Baldor for certified data.

Paint Free Washdown Duty Motors

Baldor•Reliance "Paint-Free" Washdown Duty motors are designed for applications where use of caustic cleaning solutions and regular high-pressure wash downs may compromise the surface of a painted motor. Features include special processed cast endplates; 300 Series stainless steel motor frame, base, shaft and hardware; and a labyrinth seal on the drive end shaft extension to protect motor bearings by rotating and expelling contaminants.



**TEFC - Totally Enclosed Fan Cooled -
TENV - Totally Enclosed Non-Ventilated - 230/460 Volts, Three Phase, 1 - 10 Hp**

| Hp | kW | RPM | Frame | Encl. | Catalog No. | Amps @ High V | | Full Load Torque Lb. Ft. | Efficiency % | | | Power Factor % | | | Bearings | | Volt Code | "C" Dim. | Conn. Diag. No. |
|---|------|------|-------|-------|----------------|---------------|--------------|--------------------------|--------------|------|-----------|----------------|-----|-----------|----------|------|-----------|----------|-----------------|
| | | | | | | Full Load | Locked Rotor | | 1/2 | 3/4 | Full Load | 1/2 | 3/4 | Full Load | DE | ODE | | | |
| 230/460 Volt, C-Face, Foot Mounted | | | | | | | | | | | | | | | | | | | |
| 1 | 0.75 | 1760 | 143TC | TEFC | CESSWDM3546T | 1.5 | 15 | 2.98 | 83.5 | 86.5 | 87.3 | 47 | 61 | 70 | 6205 | 6203 | E | 13.42 | CD0005 |
| 1 1/2 | 1.1 | 3500 | 56C | TENV | CESSWDM3550 | 1.8 | 20.6 | 2.31 | 82.3 | 85.2 | 86.1 | 77 | 86 | 92 | 6205 | 6203 | E | 12.97 | CD0005 |
| 1 1/2 | 1.1 | 3500 | 143TC | TENV | CESSWDM3550T | 1.8 | 20.6 | 2.31 | 82.3 | 85.2 | 86.1 | 77 | 86 | 92 | 6205 | 6203 | E | 13.23 | CD0005 |
| 1 1/2 | 1.1 | 1760 | 145TC | TEFC | CESSWDM3554T | 2.1 | 18.6 | 4.46 | 85.8 | 87.7 | 87.8 | 53 | 66 | 74 | 6205 | 6203 | E | 13.42 | CD0005 |
| 2 | 1.5 | 3500 | 145TC | TEFC | CESSWDM3555T | 2.5 | 31 | 3 | 83.8 | 86 | 86.6 | 71 | 82 | 86 | 6205 | 6203 | E | 14.30 | CD0005 |
| 2 | 1.5 | 1755 | 145TC | TEFC | CESSWDM3558T | 2.8 | 25.9 | 5.91 | 86.8 | 88.3 | 88.5 | 55 | 67 | 76 | 6205 | 6203 | E | 15.67 | CD0005 |
| 3 | 2.2 | 3470 | 145TC | TEFC | CESSWDM3559T | 3.7 | 48.3 | 4.5 | 86.4 | 87.3 | 86.9 | 79 | 87 | 90 | 6205 | 6203 | E | 15.67 | CD0005 |
| 3 | 2.2 | 3500 | 182TC | TEFC | CESSWDM3610T | 3.7 | 42 | 4.55 | 87.9 | 89.3 | 89.2 | 72 | 83 | 87 | 6206 | 6205 | E | 16.82 | CD0005 |
| 3 | 2.2 | 1760 | 182TC | TEFC | CESSWDM3611T | 4.2 | 34.1 | 9.04 | 88.3 | 89.7 | 89.7 | 56 | 69 | 76 | 6206 | 6205 | E1 | 18.32 | CD0005 |
| 5 | 3.7 | 3480 | 184TC | TEFC | CESSWDM3613T | 5.7 | 69.6 | 7.55 | 88.9 | 90.4 | 90.4 | 76 | 87 | 91 | 6206 | 6205 | E1 | 18.32 | CD0005 |
| 5 | 3.7 | 1750 | 184TC | TEFC | CESSWDM3615T | 6.5 | 48.3 | 15 | 90.3 | 90.6 | 89.8 | 64 | 75 | 81 | 6206 | 6205 | F | 18.32 | CD0005 |
| 7 1/2 | 5.6 | 3500 | 213TC | TEFC | CESSWDM3709T | 8.3 | 87 | 11.5 | 90.9 | 92.2 | 91.9 | 86 | 90 | 95 | 6307 | 6206 | E1 | 19.03 | CD0005 |
| 7 1/2 | 5.6 | 1770 | 213TC | TEFC | CESSWDM3710T | 9.5 | 73 | 22.3 | 91.6 | 92.2 | 91.9 | 65 | 75 | 81 | 6307 | 6206 | F | 20.16 | CD0005 |
| 10 | 7.5 | 3500 | 215TC | TEFC | CESSWDM3711T | 10.6 | 115 | 15 | 92 | 92.4 | 91.8 | 83 | 91 | 94 | 6307 | 6206 | E | 20.16 | CD0005 |
| 10 | 7.5 | 1770 | 215TC | TEFC | CESSWDM3714T | 12.5 | 105 | 29.9 | 92.6 | 93.3 | 93 | 65 | 76 | 81 | 6307 | 6206 | E1 | 21.66 | CD0005 |
| 15 | 11 | 3520 | 254TC | TEFC | CESSWDM23994T | 16.5 | 145 | 22.1 | 89.6 | 91.1 | 91.3 | 84 | 90 | 92 | 6309 | 6208 | E | 24.67 | CD0005 |
| 15 | 11 | 1765 | 254TC | TEFC | CESSWDM23933T | 17.7 | 126 | 44.6 | 91.3 | 92.5 | 92.7 | 71 | 81 | 86 | 6309 | 6208 | E1 | 24.67 | CD0005 |
| 20 | 15 | 3525 | 256TC | TEFC | CESSWDM41906T | 21.5 | 152 | 29.6 | 93.5 | 93.3 | 92.5 | 88 | 92 | 93 | 6309 | 6208 | F | 24.67 | CD0005 |
| 20 | 15 | 1765 | 256TC | TEFC | CESSWDM23934T | 23.4 | 162 | 59.3 | 92.9 | 93.4 | 93 | 75 | 83 | 86 | 6309 | 6208 | F | 24.67 | CD0180 |
| 575 Volt, C-Face, Foot Mounted | | | | | | | | | | | | | | | | | | | |
| 1 | 0.75 | 1765 | 143TC | TEFC | CESSWDM3546T-5 | 1.3 | 12.2 | 3 | 83.4 | 86.4 | 87.9 | 47 | 60 | 70 | 6205 | 6203 | H | 13.42 | CD0006 |
| 1 1/2 | 1.1 | 1760 | 145TC | TEFC | CESSWDM3554T-5 | 1.7 | 14.9 | 4.46 | 85.9 | 87.6 | 87.7 | 52 | 66 | 74 | 6205 | 6203 | H | 13.42 | CD0006 |
| 2 | 1.5 | 1755 | 145TC | TEFC | CESSWDM3558T-5 | 2.2 | 20.4 | 5.91 | 87 | 88.1 | 88.5 | 56 | 68 | 76 | 6205 | 6203 | H | 15.67 | CD0006 |
| 2 | 1.5 | 1725 | 145TC | TEFC | CESSWDM3558T | 2.7 | 19.6 | 6.0 | 88.1 | 88.1 | 86.5 | 66 | 74 | 82 | 6205 | 6203 | E | 14.19 | CD0005 |

NOTE: Volt Code: E = 208-230/460V, 60Hz; E1 = 230/460V, 60Hz, usable at 208V; F = 230/460V, 60 Hz.

See page 82 for Layout drawing. See page 93 for Connection Diagrams. Efficiencies shown are nominal. Data subject to change without notice. Contact Baldor for certified data.

Explosion-Proof Super-E® Premium Efficient Motors



These motors are ideal for a wide variety of applications where hazardous fumes or dust may be present. NEMA Premium designs available from stock in 1 hp through 200 hp, in NEMA frames 143T through 449T. U.L. and CSA approved for Division 1, Class I, Group D; Class I, Group D, Class II, Group F & G; Class I, Group C & D, Class II, Group F & G. 1.0 Service Factor.

TEFC - Totally Enclosed Fan Cooled Foot Mounted, 230/460 Volts & 575 Volts, Three Phase, 1 - 200 Hp

| Hp | kW | RPM | Frame | Catalog No. | XP Cls/ Grp | XP Temp. Code | Amps @ High V | | Full Load Torque Lb. Ft. | Efficiency % | | | Power Factor % | | | Voltage | "C" Dim. | Conn. Diag. No. | Notes |
|---------------------|------|-------|-------|-------------|-------------|---------------|---------------|--------------|--------------------------|--------------|------|-----------|----------------|-----|-----------|-------------|----------|-----------------|-------|
| | | | | | | | Full Load | Locked Rotor | | 1/2 | 3/4 | Full Load | 1/2 | 3/4 | Full Load | | | | |
| 230/460 Volt | | | | | | | | | | | | | | | | | | | |
| 1 | 0.75 | 1760 | 143T | EM7014T | ② | T3C | 1.5 | 12.1 | 2.97 | 81.9 | 84.8 | 85.5 | 49 | 62 | 71 | 230/460 | 15.23 | CD0005 | 19 |
| 1 | 0.75 | 1760 | 143T | EM7114T | ② | T3C | 1.5 | 12.1 | 2.97 | 81.9 | 84.8 | 85.5 | 49 | 62 | 71 | 230/460 | 16.28 | CD0005 | 19 |
| 1 | 0.75 | 1760 | 143T | EM7114T-C | ⑤ | T4 | 1.5 | 12.1 | 2.97 | 81.9 | 84.8 | 85.5 | 49 | 62 | 70 | 230/460 | 16.28 | CD0005 | 19 |
| 1 | 0.75 | 1155 | 145T | EM7032T | ② | T3C | 1.8 | 10.8 | 4.51 | 79.4 | 82.3 | 82.5 | 43 | 55 | 64 | 230/460 | 17.48 | CD0005 | 19 |
| 1 1/2 | 1.1 | 3500 | 143T | EM7018T | ② | T3C | 1.9 | 17.9 | 2.22 | 82 | 84.6 | 84 | 67 | 79 | 85 | 230/460 | 14.36 | CD0005 | 19 |
| 1 1/2 | 1.1 | 18760 | 145T | EM7034T | ② | T3C | 2.2 | 18.3 | 4.47 | 84.5 | 86.9 | 86.5 | 51 | 65 | 73 | 230/460 | 16.1 | CD0005 | 19 |
| 1 1/2 | 1.1 | 1765 | 145T | EM7134T | ② | T3C | 2.3 | 20.7 | 4.54 | 83.8 | 86.4 | 86.5 | 49 | 62 | 71 | 208-230/460 | 16.28 | CD0005 | - |
| 1 1/2 | 1.1 | 1765 | 145T | EM7134T-C | ⑤ | T4 | 2.3 | 20.7 | 4.54 | 83.8 | 86.4 | 86.5 | 49 | 62 | 76 | 208-230/460 | 16.28 | CD0005 | - |
| 1 1/2 | 1.1 | 1170 | 182T | EM7020T | ② | T3C | 2.6 | 14.7 | 6.8 | 86 | 88.3 | 87.5 | 42 | 53 | 61 | 230/460 | 17.42 | CD0005 | 19 |
| 1 1/2 | 1.1 | 1170 | 182T | EM7120T | ② | T3C | 2.6 | 14.7 | 6.8 | 86 | 88.3 | 87.5 | 42 | 53 | 0 | 230/460 | 18.24 | CD0005 | 19 |
| 2 | 1.5 | 3490 | 143T | EM7071T | ② | T3C | 2.5 | 25.9 | 2.98 | 83.5 | 85.9 | 85.5 | 75 | 84 | 88 | 230/460 | 16.1 | CD0005 | 19 |
| 2 | 1.5 | 1755 | 145T | EM7037T | ② | T3C | 2.9 | 24.3 | 5.95 | 84 | 86.5 | 86.5 | 51 | 64 | 73 | 230/460 | 16.1 | CD0005 | 19 |
| 2 | 1.5 | 1750 | 145T | EM7137T | ② | T3C | 2.9 | 25 | 5.95 | 85.1 | 87.1 | 86.5 | 53 | 66 | 75 | 230/460 | 16.28 | CD0005 | 19 |
| 2 | 1.5 | 1750 | 145T | EM7137T-C | ⑤ | T3C | 2.9 | 25 | 5.95 | 85.1 | 87.1 | 86.5 | 53 | 66 | 75 | 208-230/460 | 16.28 | CD0005 | - |
| 2 | 1.5 | 1170 | 184T | EM7041T | ② | T3C | 3.5 | 20.9 | 9 | 86.7 | 88.6 | 88.5 | 41 | 52 | 61 | 230/460 | 18.92 | CD0005 | 19 |
| 3 | 2.2 | 3450 | 145T | EM7075T | ① | T3C | 3.6 | 33 | 4.5 | 87.9 | 88.2 | 86.5 | 81 | 88 | 92 | 230/460 | 17.48 | CD0005 | - |
| 3 | 2.2 | 3450 | 182T | EM7026T | ② | T3C | 3.7 | 33.3 | 4.7 | 86.2 | 87.3 | 86.5 | 82 | 88 | 91 | 230/460 | 16.05 | CD0005 | 19 |
| 3 | 2.2 | 3460 | 182T | EM7126T | ② | T3C | 3.8 | 30.9 | 4.73 | 86.5 | 87.4 | 86.5 | 76 | 84 | 87 | 230/460 | 17.56 | CD0005 | 19 |
| 3 | 2.2 | 1760 | 182T | EM7042T | ② | T3C | 4.2 | 30.8 | 7.1 | 86 | 88.5 | 89.5 | 49 | 62 | 75 | 230/460 | 18.92 | CD0005 | 19 |
| 3 | 2.2 | 1755 | 182T | EM7142T | ② | T3C | 4.1 | 29.8 | 9.06 | 88.9 | 90.1 | 89.5 | 58 | 70 | 77 | 230/460 | 17.56 | CD0005 | 19 |
| 3 | 2.2 | 1760 | 182T | EM7142T-C | ⑤ | T4 | 4 | 31.69 | 8.93 | 89 | 90 | 89.5 | 62 | 73 | 80 | 230/460 | 17.56 | CD0005 | 19 |
| 3 | 2.2 | 1160 | 213T | EM7036T | ② | T3C | 4.6 | 34.4 | 13.4 | 87.7 | 89.4 | 89.5 | 49 | 61 | 68 | 230/460 | 20.32 | CD0005 | 19 |
| 5 | 3.7 | 3450 | 184T | EM7072T | ② | T3C | 5.9 | 57.2 | 7.67 | 88.9 | 89.4 | 88.5 | 81 | 88 | 91 | 230/460 | 18.12 | CD0005 | 19 |
| 5 | 3.7 | 3475 | 184T | EM7172T | ② | T3C | 6.3 | 51.7 | 7.5 | 87.8 | 89 | 88.5 | 64 | 77 | 84 | 230/460 | 17.56 | CD0005 | 19 |
| 5 | 3.7 | 1750 | 184T | EM7044T | ② | T3C | 6.7 | 49.1 | 14.9 | 89.7 | 90.3 | 89.5 | 60 | 72 | 78 | 230/460 | 18.92 | CD0005 | 19 |
| 5 | 3.7 | 1750 | 184T | EM7144T | ② | T3C | 6 | 45.5 | 15 | 89.6 | 89.6 | 89.5 | 62 | 74 | 79 | 230/460 | 17.56 | CD0005 | 19 |
| 5 | 3.7 | 1750 | 184T | EM7144T-C | ⑤ | T4 | 6 | 45.5 | 15 | 89.6 | 89.6 | 89.5 | 62 | 74 | 79 | 230/460 | 17.56 | CD0005 | 19 |
| 5 | 3.7 | 1160 | 215T | EM7040T | ② | T3C | 7.3 | 51.6 | 22.7 | 89.8 | 90.4 | 89.5 | 55 | 66 | 72 | 230/460 | 22.32 | CD0005 | 19 |
| 7 1/2 | 5.6 | 3450 | 184T | EM7073T | ① | T2C | 8.4 | 91 | 11.4 | 90.6 | 90.7 | 89.5 | 85 | 90 | 93 | 230/460 | 18.92 | CD0005 | - |
| 7 1/2 | 5.6 | 3525 | 213T | EM7045T | ② | T3C | 8.6 | 63.1 | 11.1 | 89.1 | 90.2 | 89.5 | 80 | 87 | 90 | 230/460 | 19.57 | CD0005 | 19 |
| 7 1/2 | 5.6 | 3525 | 213T | EM7145T | ② | T3C | 8.6 | 75 | 11.2 | 90 | 91.4 | 90.2 | 79 | 87 | 90 | 230/460 | 19.9 | CD0005 | 19 |
| 7 1/2 | 5.6 | 1770 | 213T | EM7047T | ② | T3C | 9.4 | 69.3 | 17.8 | 90.8 | 91.9 | 91.7 | 56 | 70 | 81 | 230/460 | 19.57 | CD0005 | 19 |
| 7 1/2 | 5.6 | 1770 | 213T | EM7147T | ② | T3C | 9.5 | 68 | 22.1 | 91.6 | 92.3 | 91.7 | 65 | 76 | 81 | 230/460 | 19.9 | CD0005 | 19 |
| 7 1/2 | 5.6 | 1770 | 213T | EM7147T-C | ⑤ | T4 | 9.5 | 68 | 22.1 | 91.6 | 92.3 | 91.7 | 65 | 76 | 81 | 230/460 | 19.91 | CD0005 | 19 |
| 7 1/2 | 5.6 | 1180 | 254T | EM7048T | ② | T3C | 10.7 | 67 | 32.4 | 89.3 | 90.7 | 91 | 53 | 64 | 70 | 230/460 | 25.5 | CD0005 | 19 |
| 10 | 7.5 | 3500 | 215T | EM7074T | ① | T2C | 11.2 | 117 | 15 | 90.8 | 92.3 | 91.7 | 84 | 90 | 92 | 230/460 | 20.82 | CD0005 | - |
| 10 | 7.5 | 3500 | 215T | EM7174T | ② | T3C | 11.1 | 88.5 | 14.9 | 93 | 93.2 | 92.4 | 79 | 88 | 90 | 230/460 | 19.31 | CD0005 | - |
| 10 | 7.5 | 1770 | 215T | EM7070T | ② | T3C | 12 | 103 | 29.5 | 92.1 | 92.4 | 91.7 | 66 | 79 | 85 | 230/460 | 22.32 | CD0005 | 19 |
| 10 | 7.5 | 1760 | 215T | EM7170T | ② | T3C | 12.2 | 81 | 29.8 | 92.5 | 92.9 | 91.7 | 71 | 80 | 83 | 230/460 | 19.9 | CD0005 | 19 |

NOTE: CAUTION: These Explosion-proof motors are not suitable for use with adjustable speed drives.

Shaded ratings are cast iron frames.

① Class I Group D ② Class I, Group D, Class II, Group F & G ⑤ Class I, Group C & D, Class II, Group F & G

19 = 60/50 Hertz motor. 60 Hertz data shown, contact your local Baldor•Reliance office for 50 Hertz data.

See page 79 for Layout drawing. See page 93 for Connection Diagrams. Efficiencies shown are nominal. Data subject to change without notice. Contact Baldor for certified data.

**TEFC - Totally Enclosed Fan Cooled
Foot Mounted, 230/460 Volts & 575 Volts, Three Phase, 1 - 200 Hp**



| Hp | kW | RPM | Frame | Catalog No. | XP Cls/ Grp | XP Temp. Code | Amps @ High V | | Full Load Torque Lb. Ft. | Efficiency % | | | Power Factor % | | | Voltage | "C" Dim. | Conn. Diag. No. | Notes |
|---------------------------------|------|------|-------|-------------|-------------|---------------|---------------|--------------|--------------------------|--------------|------|-----------|----------------|------|-----------|---------|----------|-----------------|-------|
| | | | | | | | Full Load | Locked Rotor | | 1/2 | 3/4 | Full Load | 1/2 | 3/4 | Full Load | | | | |
| 230/460 Volt (continued) | | | | | | | | | | | | | | | | | | | |
| 10 | 7.5 | 1760 | 215T | EM7170T-C | ⑤ | T3C | 12.2 | 81 | 29.8 | 92.5 | 92.9 | 91.7 | 71 | 80 | 83 | 230/460 | 19.91 | CD0005 | 19 |
| 10 | 7.5 | 1180 | 256T | EM7065T | ② | T3C | 14.6 | 95.3 | 44.4 | 89.8 | 91.4 | 91 | 52 | 63 | 70 | 230/460 | 25.5 | CD0005 | 19 |
| 15 | 11 | 3520 | 254T | EM7053T | ② | T3C | 17.5 | 110 | 22.1 | 91 | 91.6 | 91 | 77 | 85 | 87 | 230/460 | 25.5 | CD0180 | 19 |
| 15 | 11 | 1765 | 254T | EM7054T | ② | T3C | 18 | 125 | 45 | 92.1 | 93 | 92.4 | 71 | 81 | 84 | 230/460 | 25.5 | CD0005 | 19 |
| 15 | 11 | 1765 | 254T | EM7054T-C | ⑤ | T4 | 18 | 125 | 45 | 92.1 | 93 | 92.4 | 71 | 81 | 84 | 230/460 | 25.5 | CD0005 | 19 |
| 15 | 11 | 1180 | 284T | EM7057T | ② | T3C | 20 | 122 | 65.7 | 90.6 | 92 | 91.7 | 58 | 69 | 75 | 230/460 | 28.61 | CD0180 | 19 |
| 20 | 15 | 3520 | 256T | EM7059T | ② | T3C | 23 | 161 | 29.6 | 92.2 | 92.4 | 91 | 78 | 86 | 89 | 230/460 | 25.5 | CD0005 | 19 |
| 20 | 15 | 1765 | 256T | EM7056T | ② | T3C | 24 | 166 | 54.1 | 92.5 | 93.2 | 93 | 72 | 81 | 84 | 230/460 | 25.5 | CD0180 | 19 |
| 20 | 15 | 1765 | 256T | EM7056T-C | ⑤ | T4 | 24 | 166 | 54.1 | 92.5 | 93.2 | 93 | 72 | 81 | 84 | 230/460 | 25.5 | CD0180 | 19 |
| 20 | 15 | 1180 | 286T | EM7079T | ② | T3C | 27 | 165 | 89.4 | 91.1 | 91.9 | 91.7 | 60 | 71 | 77 | 230/460 | 28.61 | CD0180 | 19 |
| 25 | 19 | 3520 | 284TS | EM7063T | ② | T3C | 28.5 | 177 | 37.4 | 91.5 | 91.7 | 91.7 | 80 | 87 | 89 | 230/460 | 27.24 | CD0180 | 19 |
| 25 | 19 | 1780 | 284T | EM7058T | ② | T3C | 30.5 | 179 | 71.2 | 91.5 | 92.2 | 93.6 | 69 | 79 | 82 | 230/460 | 28.61 | CD0005 | 19 |
| 25 | 19 | 1780 | 284T | EM7058T-C | ⑤ | T4 | 30.5 | 179 | 71.2 | 91.5 | 92.2 | 93.6 | 69 | 79 | 82 | 230/460 | 28.61 | CD0005 | 19 |
| 25 | 19 | 1180 | 324T | EM7082T | ② | T3C | 32 | 198 | 111 | 92.8 | 93.5 | 93 | 65 | 75 | 79 | 230/460 | 32 | CD0180 | 19 |
| 30 | 22 | 3520 | 286TS | EM7083T | ② | T3C | 33 | 194 | 44.6 | 92.9 | 93.3 | 91.7 | 85 | 90 | 90 | 230/460 | 27.24 | CD0180 | 19 |
| 30 | 22 | 1770 | 286T | EM7060T | ② | T3C | 36 | 235 | 89.1 | 93.7 | 94.3 | 93.6 | 66 | 75 | 83 | 230/460 | 28.61 | CD0005 | 19 |
| 30 | 22 | 1780 | 286T | EM7060T-C | ⑤ | T4 | 37 | 216 | 90 | 93.5 | 94.1 | 93.6 | 67 | 78 | 82 | 230/460 | 28.61 | CD0005 | 19 |
| 30 | 22 | 1180 | 326T | EM7080T | ② | T3C | 39 | 243 | 133 | 92.5 | 93.2 | 93 | 62 | 73 | 78 | 230/460 | 32 | CD0005 | 19 |
| 40 | 30 | 3530 | 324TS | EM7067T | ② | T3C | 46 | 299 | 53.3 | 88.1 | 89.8 | 92.4 | 78 | 85 | 88 | 230/460 | 30.5 | CD0180 | 19 |
| 40 | 30 | 1775 | 324T | EM7062T | ② | T3C | 48 | 334 | 118 | 93.6 | 94.4 | 94.1 | 67 | 77 | 82 | 230/460 | 32 | CD0180 | 19 |
| 40 | 30 | 1775 | 324T | EM7062T-C | ⑤ | T4 | 48 | 334 | 118 | 93.6 | 94.4 | 94.1 | 67 | 77 | 82 | 230/460 | 32.12 | CD0180 | 19 |
| 40 | 30 | 1180 | 364T | EM7084T | ② | T3C | 47.2 | 275 | 178 | 94.4 | 94.5 | 94.1 | 74 | 81.5 | 84.3 | 230/460 | 33.44 | 416820-2 | 19 |
| 50 | 37 | 3540 | 326TS | EM7081T | ② | T3C | 56 | 408 | 74.4 | 93.8 | 94.2 | 93 | 82 | 88 | 90 | 230/460 | 30.5 | CD0180 | 19 |
| 50 | 37 | 1775 | 326T | EM7064T | ② | T3C | 57 | 392 | 149 | 94.4 | 94.9 | 94.5 | 73 | 82 | 87 | 230/460 | 32 | CD0180 | 19 |
| 50 | 37 | 1775 | 326T | EM7064T-C | ⑤ | T4 | 57 | 392 | 149 | 94.4 | 94.9 | 94.5 | 73 | 82 | 87 | 230/460 | 32.12 | CD0180 | 19 |
| 50 | 37 | 1180 | 365T | EM7085T | ② | T4 | 60.1 | 358 | 222 | 94.4 | 94.6 | 94.1 | 70.9 | 79.4 | 82.7 | 230/460 | 33.44 | 416820-2 | 19 |
| 60 | 45 | 1780 | 364T | EM7066T | ② | T4 | 68 | 430 | 177 | 95.2 | 95.3 | 95 | 78.7 | 85 | 87 | 230/460 | 33.44 | 416820-2 | 19 |
| 60 | 45 | 1780 | 364T | EM7066T-C | ⑤ | T4 | 68 | 430 | 177 | 95.2 | 95.3 | 95 | 78.7 | 85 | 87 | 230/460 | 33.44 | 416820-2 | 19 |
| 60 | 45 | 1185 | 404T | EM7086T | ② | T4 | 67.3 | 434 | 266 | 94.6 | 94.9 | 94.5 | 79.3 | 86 | 88.3 | 230/460 | 38.31 | 416820-2 | 19 |
| 75 | 56 | 1780 | 365T | EM7068T | ⑤ | T4 | 84.1 | 510 | 221 | 96.1 | 95.9 | 95.4 | 78.2 | 85.1 | 87.5 | 230/460 | 33.44 | 416820-2 | 19 |
| 75 | 56 | 1185 | 405T | EM7087T | ② | T4 | 84.2 | 537 | 333 | 94.8 | 95 | 94.5 | 79.3 | 85.9 | 88.3 | 230/460 | 38.31 | 416820-2 | 19 |
| 100 | 75 | 1780 | 405T | EM7090T | ⑤ | T4 | 112 | 708 | 295 | 95.5 | 95.7 | 95.4 | 77.9 | 84.9 | 87.5 | 230/460 | 38.31 | 416820-2 | 19 |
| 125 | 93 | 1780 | 444T | EM74124T-4 | ⑤ | T4 | 139 | 907 | 368 | 94.5 | 95.3 | 95.4 | 81.7 | 87.4 | 88.5 | 460 | 44.62 | 416820-36 | 19 |
| 150 | 112 | 1785 | 447T | EM74154T-4 | ⑤ | T4 | 164 | 1075 | 441 | 95.6 | 96 | 95.8 | 86 | 89.1 | 89.2 | 460 | 47.83 | 416820-36 | 19 |
| 200 | 149 | 1785 | 449T | EM74204T-4 | ⑤ | T4 | 216 | 1387 | 588 | 96.1 | 96.4 | 96.2 | 88.9 | 90.4 | 89.9 | 460 | 52.83 | 416820-36 | 19 |
| 575 Volt | | | | | | | | | | | | | | | | | | | |
| 1 | 0.75 | 1760 | 143T | EM7014T-5 | ② | T3C | 1.2 | 9.66 | 2.97 | 81.9 | 84.8 | 85.5 | 49 | 62 | 71 | 575 | 14.36 | CD0006 | - |
| 1 1/2 | 1.1 | 3500 | 143T | EM7018T-5 | ② | T3C | 1.5 | 14.5 | 2.22 | 82.1 | 84.3 | 84 | 66 | 78 | 85 | 575 | 14.36 | CD0006 | - |
| 1 1/2 | 1.1 | 1760 | 145T | EM7034T-5 | ② | T3C | 1.8 | 14.6 | 4.47 | 84.5 | 87 | 86.5 | 51 | 65 | 73 | 575 | 15.23 | CD0006 | - |
| 2 | 1.5 | 3490 | 145T | EM7071T-5 | ② | T3C | 2 | 21 | 2.98 | 83.6 | 85.5 | 85.5 | 74 | 84 | 88 | 575 | 15.23 | CD0006 | - |
| 2 | 1.5 | 1755 | 145T | EM7037T-5 | ② | T3C | 2.4 | 19.6 | 5.95 | 83.8 | 86.4 | 86.5 | 50 | 64 | 73 | 575 | 16.1 | CD0006 | - |
| 3 | 2.2 | 1760 | 182T | EM7042T-5 | ② | T3C | 3.3 | 25.9 | 8.88 | 87.7 | 89.5 | 89.5 | 54 | 67 | 75 | 575 | 17.42 | CD0006 | - |
| 5 | 3.7 | 3450 | 184T | EM7072T-5 | ② | T3C | 4.7 | 45.7 | 7.64 | 88.4 | 89.1 | 88.5 | 81 | 88 | 91 | 575 | 18.12 | CD0006 | 35 |
| 5 | 4 | 1750 | 184T | EM7044T-5 | ② | T3C | 5.3 | 39.3 | 14.9 | 89.6 | 90.5 | 89.5 | 60 | 72 | 78 | 575 | 18.12 | CD0006 | - |
| 7 1/2 | 5.6 | 1770 | 213T | EM7047T-5 | ② | T3C | 7.6 | 58.5 | 22.2 | 91.1 | 92.3 | 91.7 | 61 | 74 | 81 | 575 | 20.32 | CD0006 | 35 |
| 10 | 7.5 | 1760 | 215T | EM7170T-5 | ② | T3C | 9.8 | 66.3 | 29.8 | 92.1 | 92.7 | 91.7 | 70 | 79 | 83 | 575 | 19.9 | CD0006 | - |
| 15 | 11 | 1765 | 254T | EM7054T-5 | ② | T3C | 14.8 | 99 | 44.5 | 91.3 | 92.5 | 92.4 | 67 | 78 | 82 | 575 | 25.5 | CD0006 | - |
| 20 | 15 | 1765 | 256T | EM7056T-5 | ② | T3C | 19.2 | 140 | 59 | 92.8 | 93.2 | 93 | 72 | 78 | 84 | 575 | 25.5 | CD0006 | - |
| 25 | 19 | 1780 | 284T | EM7058T-5 | ② | T3C | 24.5 | 150 | 74 | 91 | 92.7 | 93.6 | 70 | 79 | 82 | 575 | 28.61 | CD0006 | - |
| 30 | 22 | 1770 | 286T | EM7060T-5 | ② | T3C | 29 | 177 | 89.2 | 93.9 | 94.4 | 93.6 | 69 | 77 | 83 | 575 | 28.61 | CD0006 | - |
| 40 | 30 | 1775 | 324T | EM7062T-5 | ② | T3C | 39 | 267 | 118 | 93.6 | 94.3 | 94.1 | 67 | 77 | 82 | 575 | 32 | CD0006 | - |

NOTE: CAUTION: These Explosion-proof motors are not suitable for use with adjustable speed drives.

Shaded ratings are cast iron frames.

① Class I Group D ② Class I, Group D, Class II, Group F & G ⑤ Class I, Group C & D, Class II, Group F & G

19 = 60/50 Hertz motor. 60 Hertz data shown, contact your local Baldor•Reliance office for 50 Hertz data. 35 = Design A

See page 79 for Layout drawing. See page 93 for Connection Diagrams. Efficiencies shown are nominal. Data subject to change without notice. Contact Baldor for certified data.

Explosion-Proof C-Face Foot Mounted



TEFC - Totally Enclosed Fan Cooled 230/460 Volts, Three Phase, 1 - 50 Hp

| Hp | kW | RPM | Frame | Catalog No. | XP Cls/ Grp | XP Temp. Code | Amps @ High V | | Full Load Torque Lb. Ft. | Efficiency % | | | Power Factor % | | | Voltage | "C" Dim. | Conn. Diag. No. | Notes |
|-------|------|------|--------|-------------|-------------|---------------|---------------|--------------|--------------------------|--------------|------|-----------|----------------|-----|-----------|---------|----------|-----------------|--------|
| | | | | | | | Full Load | Locked Rotor | | 1/2 | 3/4 | Full Load | 1/2 | 3/4 | Full Load | | | | |
| 1 | 0.75 | 1760 | 143TC | CEM7014T | Ⓜ | T3C | 1.5 | 12.1 | 2.97 | 81.9 | 84.8 | 85.5 | 49 | 62 | 71 | 230/460 | 14.36 | CD0005 | 19 |
| 1 1/2 | 1.1 | 3500 | 143TC | CEM7018T | Ⓜ | T3C | 1.9 | 17.9 | 2.22 | 82 | 84.6 | 84 | 67 | 79 | 85 | 230/460 | 14.36 | CD0005 | 19 |
| 1 1/2 | 1.1 | 1760 | 145TC | CEM7034T | Ⓜ | T3C | 2.2 | 18.3 | 4.47 | 84.5 | 86.9 | 86.5 | 51 | 65 | 73 | 230/460 | 15.23 | CD0005 | 19 |
| 2 | 1.5 | 3490 | 145TC | CEM7071T | Ⓜ | T3C | 2.5 | 25.9 | 2.98 | 83.5 | 85.9 | 85.5 | 75 | 84 | 88 | 230/460 | 15.23 | CD0005 | 19 |
| 2 | 1.5 | 1755 | 145TC | CEM7037T | Ⓜ | T3C | 2.9 | 24.3 | 5.95 | 84 | 86.5 | 86.5 | 51 | 64 | 73 | 230/460 | 16.1 | CD0005 | 19 |
| 3 | 2.2 | 3450 | 145TC | CEM7075T | Ⓜ | T3C | 3.6 | 33 | 4.5 | 87.9 | 88.2 | 86.5 | 81 | 88 | 92 | 230/460 | 16.09 | CD0005 | - |
| 3 | 2.2 | 1760 | 182TC | CEM7042T | Ⓜ | T3C | 4.2 | 30.8 | 7.1 | 86 | 88.5 | 89.5 | 49 | 62 | 75 | 230/460 | 18.86 | CD0005 | 19 |
| 5 | 3.7 | 3450 | 184TC | CEM7072T | Ⓜ | T3C | 5.9 | 57.2 | 7.67 | 88.9 | 89.4 | 88.5 | 81 | 88 | 91 | 230/460 | 18.86 | CD0005 | 19, 35 |
| 5 | 3.7 | 1750 | 184TC | CEM7044T | Ⓜ | T3C | 6.7 | 49.1 | 14.9 | 89.7 | 90.3 | 89.5 | 60 | 72 | 78 | 230/460 | 19.55 | CD0005 | 19 |
| 7 1/2 | 5.6 | 3450 | 184TC | CEM7073T | Ⓜ | T2C | 8.4 | 91 | 11.4 | 90.6 | 90.7 | 89.5 | 85 | 90 | 93 | 230/460 | 20.36 | CD0005 | 35 |
| 7 1/2 | 5.6 | 3470 | 213TC | CEM7045T | Ⓜ | T3C | 8.6 | 63.1 | 11.1 | 89.1 | 90.2 | 89.5 | 80 | 87 | 90 | 230/460 | 20.33 | CD0005 | 19 |
| 7 1/2 | 5.6 | 1770 | 213TC | CEM7047T | Ⓜ | T3C | 9.4 | 69.3 | 17.8 | 90.8 | 91.9 | 91.7 | 56 | 70 | 81 | 230/460 | 21.08 | CD0005 | 19, 35 |
| 10 | 7.5 | 3500 | 215TC | CEM7174T | Ⓜ | T3C | 11.1 | 88.5 | 14.9 | 93 | 93.2 | 92.4 | 79 | 88 | 90 | 230/460 | 20.65 | CD0005 | 19 |
| 10 | 7.5 | 1760 | 215TC | CEM7170T | Ⓜ | T3C | 12.2 | 81 | 29.8 | 92.5 | 92.9 | 91.7 | 71 | 80 | 83 | 230/460 | 20.65 | CD0005 | 19 |
| 15 | 11 | 3520 | 254TC | CEM7053T | Ⓜ | T3C | 17.5 | 110 | 22.1 | 91 | 91.6 | 91 | 77 | 85 | 87 | 230/460 | 26 | CD0180 | 19 |
| 15 | 11 | 1765 | 254TC | CEM7054T | Ⓜ | T3C | 18 | 125 | 45 | 92.1 | 93 | 92.4 | 71 | 81 | 84 | 230/460 | 26 | CD0005 | 19 |
| 20 | 15 | 3520 | 256TC | CEM7059T | Ⓜ | T3C | 23 | 161 | 29.6 | 92.2 | 92.4 | 91 | 78 | 86 | 89 | 230/460 | 26 | CD0005 | 19 |
| 20 | 15 | 1765 | 256TC | CEM7056T | Ⓜ | T3C | 24 | 166 | 54.1 | 92.5 | 93.2 | 93 | 72 | 81 | 84 | 230/460 | 26 | CD0180 | 19 |
| 25 | 19 | 3520 | 284TSC | CEM7063T | Ⓜ | T3C | 28.5 | 177 | 37.4 | 91.5 | 91.7 | 91.7 | 80 | 87 | 89 | 230/460 | 27.24 | CD0180 | 19 |
| 25 | 19 | 1780 | 284TC | CEM7058T | Ⓜ | T3C | 30.5 | 179 | 71.2 | 91.5 | 92.2 | 93.6 | 69 | 79 | 82 | 230/460 | 28.61 | CD0005 | 19 |
| 30 | 22 | 1770 | 286TC | CEM7060T | Ⓜ | T3C | 36 | 235 | 89.1 | 93.7 | 94.3 | 93.6 | 66 | 75 | 83 | 230/460 | 28.61 | CD0005 | 19 |
| 40 | 30 | 1775 | 324TC | CEM7062T | Ⓜ | T3C | 48 | 334 | 118 | 93.6 | 94.4 | 94.1 | 67 | 77 | 82 | 230/460 | 32 | CD0180 | 19 |
| 50 | 37 | 1775 | 326TC | CEM7064T | Ⓜ | T3C | 57 | 392 | 149 | 94.4 | 94.9 | 94.5 | 73 | 82 | 87 | 230/460 | 32 | CD0180 | 19 |

NOTE: CAUTION: These Explosion-proof motors are not suitable for use with adjustable speed drives.

Ⓜ Class I Group D Ⓜ Class I, Group D, Class II, Group F & G

19 = 60/50 Hertz motor. 60 Hertz data shown, contact your local Baldor•Reliance office for 50 Hertz data. 35 = Design A

See page 81 for Layout drawing. See page 93 for Connection Diagrams. Efficiencies shown are nominal. Data subject to change without notice. Contact Baldor for certified data.

Shaded ratings are cast iron frames.

Explosion Proof C-Face Footless



TEFC - Totally Enclosed Fan Cooled 575 Volts, Three Phase, 1 - 5 Hp

| Hp | kW | RPM | Frame | Catalog No. | XP Cls/ Grp | XP Temp. Code | Amps @ High V | | Full Load Torque Lb. Ft. | Efficiency % | | | Power Factor % | | | Voltage | "C" Dim. | Conn. Diag. No. | Notes |
|-------|------|------|-------|-------------|-------------|---------------|---------------|--------------|--------------------------|--------------|------|-----------|----------------|-----|-----------|---------|----------|-----------------|-------|
| | | | | | | | Full Load | Locked Rotor | | 1/2 | 3/4 | Full Load | 1/2 | 3/4 | Full Load | | | | |
| 1 | 0.75 | 1760 | 143TC | VEM7014T-5 | Ⓜ | T3C | 1.2 | 9.66 | 2.97 | 81.9 | 84.4 | 85.5 | 49 | 62 | 71 | 575 | 14.33 | CD0006 | - |
| 1 1/2 | 1.1 | 1760 | 145TC | VEM7034T-5 | Ⓜ | T3C | 1.8 | 14.6 | 4.47 | 84.5 | 87 | 86.5 | 51 | 65 | 73 | 575 | 15.21 | CD0006 | - |
| 2 | 1.5 | 1755 | 145TC | VEM7037T-5 | Ⓜ | T3C | 2.4 | 19.6 | 5.95 | 83.8 | 86.4 | 86.5 | 50 | 64 | 73 | 575 | 16.09 | CD0006 | - |
| 3 | 2.2 | 1760 | 182TC | VEM7042T-5 | Ⓜ | T3C | 3.3 | 25.9 | 8.88 | 87.7 | 89.5 | 89.5 | 54 | 67 | 75 | 575 | 18.86 | CD0006 | - |
| 5 | 3.7 | 1750 | 184TC | VEM7044T-5 | Ⓜ | T3C | 5.3 | 39.3 | 14.9 | 89.6 | 90.5 | 89.5 | 60 | 72 | 78 | 575 | 18.86 | CD0006 | - |

NOTE: CAUTION: These Explosion-proof motors are not suitable for use with adjustable speed drives.

Ⓜ Class I, Group D, Class II, Group F & G

See page 81 for Layout drawing. See page 93 for Connection Diagrams. Efficiencies shown are nominal. Data subject to change without notice. Contact Baldor for certified data.



Severe Duty, Explosion-Proof Super-E® Premium Efficient Motors

These Baldor•Reliance motors are built suitable for harsh industrial environments requiring protection against corrosion, that contain hazardous gas and vapor, dust fibers, filings or other material that may have explosive properties. 1.15 Service factor, Severe Duty design includes rugged cast iron construction with corrosion resistant epoxy finish. Shaft slingers & inner caps installed on both ends of motor for bearing protection. Includes normally closed thermostats. UL & CSA approved for Division 1 Class I, Group D, Class II, Group E, F & G, T3C temperature code.



TEFC - Totally Enclosed Fan Cooled Foot Mounted, 230/460 Volts, Three Phase, 3 - 150 Hp

| Hp | kW | RPM | Frame | Catalog No. | XP Cls/ Grp | XP Temp Code | Amps @ High V | | Full Load Torque Lb. Ft. | Efficiency % | | | Power Factor % | | | Volt Code | "C" Dim. | Conn. Diag. No. | Notes |
|-------|-----|------|-------|-------------|-------------|--------------|---------------|--------------|--------------------------|--------------|------|-----------|----------------|-----|-----------|-----------|----------|-----------------|-------|
| | | | | | | | Full Load | Locked Rotor | | 1/2 | 3/4 | Full Load | 1/2 | 3/4 | Full Load | | | | |
| 3 | 2.2 | 1755 | 182T | EM7542T-I | ③ | T3C | 4.1 | 29.8 | 9.06 | 88.9 | 90.1 | 89.5 | 58 | 70 | 77 | F | 17.59 | CD0005 | - |
| 3 | 2.2 | 1165 | 213T | EM7536T-I | ③ | T3C | 4.5 | 33.2 | 13.6 | 89 | 90.1 | 89.5 | 53 | 64 | 71 | F | 20.02 | CD0005 | - |
| 5 | 3.7 | 3505 | L184T | EM7572T-I | ③ | T3C | 6 | 44 | 7.49 | 89.2 | 89.6 | 88.5 | 74 | 84 | 88 | F | 17.12 | 416820-1 | - |
| 5 | 3.7 | 1750 | L184T | EM7544T-I | ③ | T3C | 6.6 | 46 | 15 | 89.4 | 90.1 | 89.5 | 62 | 74 | 80 | F | 17.12 | 416820-1 | - |
| 5 | 3.7 | 1165 | L215T | EM7540T-I | ③ | T3C | 6.8 | 46 | 22.5 | 89.7 | 90.2 | 89.5 | 60 | 71 | 77 | F | 20.12 | 416820-1 | - |
| 7 1/2 | 5.6 | 1770 | 213T | EM7547T-I | ③ | T3C | 9.5 | 68 | 22.1 | 91.6 | 92.3 | 91.7 | 65 | 76 | 81 | F | 20.02 | CD0005 | 35 |
| 7 1/2 | 5.6 | 1180 | 254T | EM7548T-I | ③ | T3C | 10.7 | 69.7 | 32.4 | 89.7 | 91.5 | 91.7 | 52 | 63 | 71 | E1 | 25.81 | CD0005 | - |
| 10 | 7.5 | 1765 | L215T | EM7670T-I | ③ | T3C | 12.3 | 81 | 29.8 | 92.3 | 92.4 | 91.7 | 68 | 78 | 83 | F | 20.12 | 416820-2 | - |
| 10 | 7.5 | 1170 | 256T | EM7565T-I | ③ | T3C | 12.5 | 78 | 44.8 | 91.7 | 91.8 | 91 | 70 | 79 | 82 | F | 24.56 | 416820-2 | - |
| 15 | 11 | 1765 | 254T | EM7554T-I | ③ | T3C | 18 | 125 | 45 | 92.1 | 93 | 92.4 | 71 | 81 | 84 | E1 | 25.81 | CD0005 | - |
| 20 | 15 | 3520 | 256T | EM7559T-I | ③ | T3C | 22.3 | 145 | 29.8 | 92.3 | 92.4 | 91.7 | 86 | 90 | 91 | F | 24.56 | 416820-2 | - |
| 20 | 15 | 1765 | 256T | EM7556T-I | ③ | T3C | 24 | 145 | 59.6 | 93.5 | 93.6 | 93 | 74 | 81 | 84 | F | 24.56 | 416820-36 | - |
| 25 | 19 | 1770 | 284T | EM7558T-I | ③ | T3C | 30 | 186 | 74.2 | 92.3 | 93.5 | 93.6 | 73 | 81 | 84 | E1 | 28.61 | CD0005 | - |
| 30 | 22 | 1765 | 286T | EM7560T-I | ③ | T3C | 36.1 | 217 | 89.1 | 94.1 | 94.2 | 93.6 | 74 | 81 | 83 | F | 27.44 | 416820-2 | - |
| 40 | 30 | 1775 | 324T | EM7562T-I | ③ | T3C | 47 | 325 | 118 | 93.8 | 94.5 | 94.1 | 74 | 82 | 85 | F | 32 | CD0180 | - |
| 50 | 37 | 1775 | 326T | EM7564T-I | ③ | T3C | 58.8 | 355 | 148 | 95.1 | 95.1 | 94.5 | 76 | 82 | 84 | F | 30.44 | 416820-2 | - |
| 50 | 37 | 1180 | 365T | EM7585T-I | ③ | T3C | 60.1 | 358 | 222 | 94.1 | 94.6 | 94.1 | 71 | 79 | 83 | F | 33.44 | 416820-2 | - |
| 60 | 45 | 1780 | 364T | EM7566T-I | ③ | T3C | 67.8 | 432 | 177 | 95.4 | 95.5 | 95 | 77 | 84 | 87 | F | 33.44 | 416820-2 | - |
| 75 | 56 | 1780 | 365T | EM7568T-I | ③ | T3C | 84.1 | 510 | 221 | 96.1 | 95.9 | 95.4 | 78 | 85 | 88 | F | 33.44 | 416820-2 | - |
| 75 | 56 | 1185 | 405T | EM7587T-I | ③ | T3C | 86.9 | 541 | 332 | 95 | 95.3 | 95 | 73 | 82 | 85 | F | 38.31 | 416820-2 | - |
| 100 | 75 | 1780 | 405T | EM7590T-I | ③ | T3C | 112 | 708 | 295 | 95.5 | 95.7 | 95.4 | 78 | 85 | 88 | G | 38.31 | 416820-36 | - |
| 100 | 75 | 1188 | 444T | EM7599T-I | ③ | T3C | 115 | 725 | 442 | 94.7 | 95.2 | 95 | 77 | 84 | 86 | G | 44.62 | 416820-36 | - |
| 125 | 93 | 1785 | 444T | EM7600T-I | ③ | T3C | 139 | 907 | 368 | 95.5 | 95.9 | 95.8 | 81 | 87 | 88 | G | 44.62 | 416820-36 | - |
| 150 | 112 | 1785 | 445T | EM7596T-I | ③ | T3C | 165 | 1085 | 441 | 96.4 | 96.6 | 96.2 | 83 | 88 | 89 | G | 44.62 | 416820-36 | - |

NOTE: CAUTION: These Explosion-proof motors are not suitable for use with adjustable speed drives.

Shaded ratings are cast iron frames.

③ Div.1, Class 1, Group D, Class 2, Group E, F, & G

Volt Code: E1 = 230/460V,60Hz, usable at 208V; F = 230/460V, 60 Hz. G=460V, 60 Hz.

35 = NEMA Design A

See page 80 for Layout drawing. See page 93 for Connection Diagrams.

Efficiencies shown are nominal. Data subject to change without notice. Contact Baldor for certified data.

Drill Rig Duty Explosion-Proof Super-E® Premium Efficient Motors



Baldor has a family of explosion proof motors designed for on and off shore drill rig service, bulk fuel terminals, and transfer stations. For use in high humidity hazardous-duty applications driving pumps, compressors, blowers, fans, and many other loads that require 1.15 service factor explosion proof motors. Design includes Class 1, Group C & D approval for use in areas where hydrogen sulfide is present. These motors feature Labyrinth-type recessed shaft slinger for increased bearing protection. Explosion-proof breather drain to prevent build up of condensation. Class F insulation. Corrosion resistant finish with two part epoxy coating. Suitable for 55°C at 1.0 service factor. UL and CSA approved for Division 1, Class I, Group C & D.



TEFC - Totally Enclosed Fan Cooled Foot Mounted, 230/460 & 575 Volt, Three Phase, 1 - 100 Hp

| Hp | kW | RPM | Frame | Catalog No. | XP Cls/ Grp | XP Temp Code | Amps @ High V | | Full Load Torque Lb. Ft. | Efficiency % | | | Power Factor % | | | "C" Dim. | Conn. Diag. No. | Notes |
|---------------------|------|------|-------|-------------|-------------|--------------|---------------|--------------|--------------------------|--------------|------|-----------|----------------|-----|-----------|----------|-----------------|-------|
| | | | | | | | Full Load | Locked Rotor | | 1/2 | 3/4 | Full Load | 1/2 | 3/4 | Full Load | | | |
| 230/460 Volt | | | | | | | | | | | | | | | | | | |
| 1 | 0.75 | 1155 | 145T | EM7032T-I | Ⓢ | T3C | 3.6/1.8 | 10.8 | 4.51 | 79.4 | 82.3 | 82.5 | 43 | 55 | 64 | 15.09 | CD0005 | 19 |
| 1 | 0.75 | 1760 | 143T | EM7014T-I | Ⓢ | T3C | 3/1.5 | 12.1 | 2.97 | 82.1 | 84.8 | 85.5 | 49 | 62 | 71 | 14.12 | CD0005 | 19 |
| 1 | 0.75 | 3450 | 143T | EM7013T-I | Ⓢ | T3C | 2.8/1.4 | 10.5 | 1.47 | 71.7 | 76.4 | 77 | 72 | 82 | 87 | 14.12 | CD0005 | 19 |
| 1 1/2 | 1.1 | 1170 | 182T | EM7020T-I | Ⓢ | T3C | 5.2/2.6 | 14.7 | 6.8 | 86 | 88.3 | 87.5 | 42 | 53 | 61 | 18.27 | CD0005 | 19 |
| 1 1/2 | 1.1 | 1760 | 143T | EM7034T-I | Ⓢ | T3C | 4.4/2.2 | 18.3 | 4.47 | 84.5 | 86.9 | 86.5 | 51 | 65 | 73 | 15.09 | CD0005 | 19 |
| 1 1/2 | 1.1 | 3500 | 143T | EM7018T-I | Ⓢ | T3C | 3.8/1.9 | 17.9 | 2.22 | 82 | 84.6 | 84 | 67 | 79 | 85 | 14.12 | CD0005 | 19 |
| 2 | 1.5 | 1170 | 184T | EM7041T-I | Ⓢ | T3C | 7/3.5 | 20.9 | 9 | 86.7 | 88.6 | 88.5 | 41 | 52 | 61 | 19.52 | CD0005 | 19 |
| 2 | 1.5 | 1755 | 145T | EM7037T-I | Ⓢ | T3C | 5.8/2.9 | 22.9 | 5.37 | 82.9 | 85.5 | 86.5 | 49 | 62 | 73 | 15.81 | CD0005 | 19 |
| 2 | 1.5 | 3490 | 145T | EM7071T-I | Ⓢ | T3C | 5/2.5 | 25.9 | 2.98 | 83.6 | 85.7 | 85.5 | 75 | 84 | 88 | 15.09 | CD0005 | 19 |
| 3 | 2.2 | 1160 | 213T | EM7036T-I | Ⓢ | T3C | 9.2/4.6 | 34.4 | 13.4 | 87.7 | 89.4 | 89.5 | 49 | 61 | 68 | 20.32 | CD0005 | 19 |
| 3 | 2.2 | 1760 | 182T | EM7042T-I | Ⓢ | T3C | 8.4/4.2 | 30.8 | 7.1 | 86 | 88.5 | 89.5 | 49 | 62 | 75 | 18.27 | CD0005 | 19 |
| 3 | 2.2 | 3450 | 182T | EM7026T-I | Ⓢ | T3C | 7.4/3.7 | 33.3 | 4.7 | 86.2 | 87.3 | 86.5 | 82 | 88 | 91 | 16.77 | CD0005 | 19 |
| 5 | 3.7 | 1160 | 215T | EM7040T-I | Ⓢ | T3C | 14.6/7.3 | 51.6 | 22.7 | 89.8 | 90.4 | 89.5 | 55 | 66 | 72 | 22.32 | CD0005 | 19,35 |
| 5 | 3.7 | 1750 | 184T | EM7044T-I | Ⓢ | T3C | 13/6.5 | 53.7 | 15 | 89.7 | 90.7 | 89.5 | 62 | 74 | 80 | 19.52 | CD0005 | 19 |
| 5 | 3.7 | 3470 | 184T | EM7072T-I | Ⓢ | T3C | 11.2/5.6 | 59.3 | 7.66 | 90.7 | 90.8 | 90.2 | 83 | 90 | 94 | 18.27 | CD0005 | 19,35 |
| 7 1/2 | 5.6 | 1190 | 254T | EM7048T-I | Ⓢ | T3C | 21.4/10.7 | 67 | 32.4 | 89.3 | 90.7 | 91 | 53 | 64 | 70 | 25.5 | CD0005 | 19 |
| 7 1/2 | 5.6 | 1770 | 213T | EM7047T-I | Ⓢ | T3C | 18.8/9.4 | 69.3 | 17.8 | 90.8 | 91.9 | 91.7 | 56 | 70 | 81 | 20.32 | CD0005 | 19,35 |
| 7 1/2 | 5.6 | 3470 | 213T | EM7045T-I | Ⓢ | T3C | 17.2/8.6 | 63.1 | 11.1 | 89.1 | 90.2 | 89.5 | 80 | 87 | 90 | 19.57 | CD0005 | 19 |
| 10 | 7.5 | 1180 | 256T | EM7065T-I | Ⓢ | T3C | 30/15 | 95.3 | 44.4 | 89.8 | 91.4 | 91 | 52 | 63 | 70 | 25.5 | CD0005 | 19 |
| 10 | 7.5 | 1765 | 215T | EM7170T-I | Ⓢ | T3C | 24.6/12.3 | 92.9 | 26.8 | 93.4 | 92.3 | 92.4 | 61 | 74 | 81 | 20.03 | CD0005 | 19,35 |
| 10 | 7.5 | 3500 | 215T | EM7174T-I | Ⓢ | T3C | 22.2/11.1 | 88.5 | 14.9 | 93 | 93.2 | 92.4 | 79 | 88 | 90 | 20.03 | CD0005 | 19 |
| 15 | 11 | 1180 | 284T | EM7057T-I | Ⓢ | T3C | 40/20 | 122 | 65.7 | 90.6 | 92 | 91.7 | 58 | 69 | 75 | 28.61 | CD0180 | 19 |
| 15 | 11 | 1765 | 254T | EM7054T-I | Ⓢ | T3C | 36/18 | 125 | 45 | 92.1 | 93 | 92.4 | 71 | 81 | 84 | 25.5 | CD0005 | 19 |
| 15 | 11 | 3520 | 254T | EM7053T-I | Ⓢ | T3C | 35/17.5 | 110 | 22.1 | 91 | 91.6 | 91 | 77 | 85 | 87 | 25.5 | CD0180 | 19 |
| 20 | 15 | 1180 | 286T | EM7079T-I | Ⓢ | T3C | 54/27 | 165 | 89.4 | 91.1 | 91.9 | 91.7 | 60 | 71 | 77 | 28.61 | CD0180 | 19,35 |
| 20 | 15 | 1765 | 256T | EM7056T-I | Ⓢ | T3C | 48/24 | 171 | 60 | 92.9 | 93.5 | 93 | 74 | 83 | 84 | 25.5 | CD0180 | 19 |
| 20 | 15 | 3530 | 256T | EM7059T-I | Ⓢ | T3C | 44/22 | 171 | 29.8 | 92.5 | 93 | 91 | 87 | 91 | 91 | 25.5 | CD0180 | 19,35 |
| 25 | 19 | 1180 | 324T | EM7082T-I | Ⓢ | T3C | 63/32 | 198 | 111 | 92.8 | 93.5 | 93 | 65 | 75 | 79 | 32 | CD0180 | 19,35 |
| 25 | 19 | 1780 | 284T | EM7058T-I | Ⓢ | T3C | 61/30.5 | 188 | 74 | 93.4 | 93.9 | 93.6 | 69 | 78 | 82 | 28.61 | CD0005 | 19 |
| 25 | 19 | 3520 | 284TS | EM7063T-I | Ⓢ | T3C | 57/28.5 | 177 | 37.4 | 91.5 | 91.7 | 91.7 | 80 | 87 | 89 | 27.23 | CD0180 | 19 |
| 30 | 22 | 1180 | 326T | EM7080T-I | Ⓢ | T3C | 78/39 | 243 | 133 | 92.5 | 93.2 | 93 | 62 | 73 | 78 | 32 | CD0005 | 19,35 |
| 30 | 22 | 1770 | 286T | EM7060T-I | Ⓢ | T3C | 72/36 | 235 | 89.1 | 93.7 | 94.3 | 93.6 | 66 | 75 | 83 | 28.61 | CD0005 | 19 |
| 30 | 22 | 3520 | 286TS | EM7083T-I | Ⓢ | T3C | 66/33 | 194 | 44.6 | 92.9 | 93.3 | 91.7 | 85 | 90 | 90 | 27.23 | CD0180 | 19 |

NOTE: CAUTION: These Explosion-proof motors are not suitable for use with adjustable speed drives.

Shaded ratings are cast iron frames.

Ⓢ Class I, Group C & D

19 = 60/50 Hertz motor. 60 Hertz data shown, contact your local Baldor•Reliance office for 50 Hertz data.

35 = NEMA Design A

Contact Baldor for Layout Drawings. See page 93 for Connection Diagrams.

Efficiencies shown are nominal. Data subject to change without notice. Contact Baldor for certified data.

**TEFC - Totally Enclosed Fan Cooled
Foot Mounted, 230/460 & 575 Volt, Three Phase, 1 - 100 Hp**



| Hp | kW | RPM | Frame | Catalog No. | XP Cls/ Grp | XP Temp Code | Amps @ High V | | Full Load Torque Lb. Ft. | Efficiency % | | | Power Factor % | | | "C" Dim. | Conn. Diag. No. | Notes |
|---------------------------------|-----|------|-------|-------------|-------------|--------------|---------------|--------------|--------------------------|--------------|------|-----------|----------------|-----|-----------|----------|-----------------|-------|
| | | | | | | | Full Load | Locked Rotor | | 1/2 | 3/4 | Full Load | 1/2 | 3/4 | Full Load | | | |
| 230/460 Volt (continued) | | | | | | | | | | | | | | | | | | |
| 40 | 30 | 1180 | 364T | EM7084T-I | ④ | T3C | 94.4/47.2 | 275 | 178 | 94.4 | 94.5 | 94.1 | 74 | 82 | 84 | 33.44 | 416820-002 | 19 |
| 40 | 30 | 1775 | 324T | EM7062T-I | ④ | T3C | 96/48 | 338 | 118 | 93.5 | 94.2 | 94.1 | 69 | 78 | 82 | 32 | CD0180 | 19 |
| 40 | 30 | 3530 | 324TS | EM7067T-I | ④ | T3C | 92/46 | 305 | 59.2 | 91.6 | 92.6 | 92.4 | 79 | 86 | 88 | 30.5 | CD0180 | 19 |
| 50 | 37 | 1180 | 365T | EM7085T-I | ④ | T3C | 120/60.1 | 358 | 222 | 94.4 | 94.6 | 94.1 | 71 | 79 | 83 | 33.44 | 416820-002 | 19 |
| 50 | 37 | 1775 | 326T | EM7064T-I | ④ | T3C | 114/57 | 384 | 143 | 94.5 | 94.4 | 94.5 | 73 | 82 | 87 | 32 | CD0180 | 19 |
| 50 | 37 | 3540 | 326TS | EM7081T-I | ④ | T3C | 112/56 | 4.8 | 74.4 | 93.8 | 94.2 | 93 | 82 | 88 | 90 | 30.5 | CD0180 | 19,35 |
| 60 | 45 | 1185 | 404T | EM7086T-I | ④ | T3C | 135/67.3 | 434 | 266 | 94.6 | 94.9 | 94.5 | 79 | 86 | 88 | 38.31 | 416820-002 | 19 |
| 60 | 45 | 1780 | 364T | EM7066T-I | ④ | T3C | 136/67.8 | 432 | 177 | 95.4 | 95.5 | 95 | 77 | 84 | 87 | 33.44 | 416820-002 | 19 |
| 60 | 45 | 3560 | 364TS | EM7310T-I | ④ | T3C | 135/67.3 | 415 | 88.5 | 92.7 | 93.7 | 93.6 | 80 | 86 | 89 | 31.31 | 416820-002 | 19 |
| 75 | 56 | 1185 | 405T | EM7087T-I | ④ | T3C | 168/84.2 | 537 | 333 | 94.8 | 95 | 94.5 | 79 | 86 | 88 | 38.31 | 416820-002 | 19 |
| 75 | 56 | 1780 | 365T | EM7068T-I | ④ | T3C | 168/84.1 | 510 | 221 | 96.1 | 95.9 | 95.4 | 78 | 85 | 88 | 33.44 | 416820-002 | 19 |
| 75 | 56 | 3555 | 365TS | EM7313T-I | ④ | T3C | 167/83.4 | 465 | 111 | 93 | 93.8 | 93.6 | 83 | 88 | 90 | 31.31 | 416820-002 | 19 |
| 100 | 75 | 1780 | 405T | EM7090T-I | ④ | T3C | 224/112 | 708 | 295 | 95.5 | 95.7 | 95.4 | 78 | 85 | 88 | 38.31 | 416820-002 | 19 |
| 575 Volt | | | | | | | | | | | | | | | | | | |
| 3 | 2.2 | 1760 | 182T | EM7042T-I-5 | ④ | T3C | 3.3 | 25.9 | 8.88 | 87.7 | 89.5 | 89.5 | 54 | 67 | 75 | 18.27 | CD0006 | 1 |
| 5 | 3.7 | 1750 | 184T | EM7044T-I-5 | ④ | T3C | 5.2 | 43 | 15 | 89.7 | 90.7 | 89.5 | 62 | 74 | 80 | 19.52 | CD0006 | 1 |
| 7 1/2 | 5.6 | 1770 | 213T | EM7047T-I-5 | ④ | T3C | 7.6 | 58.5 | 22.2 | 91.9 | 92.3 | 91.7 | 61 | 74 | 81 | 20.32 | CD0006 | 1,35 |
| 10 | 7.5 | 1765 | 215T | EM7170T-I-5 | ④ | T3C | 9.8 | 78 | 29.7 | 93.6 | 92.9 | 92.4 | 62 | 75 | 80 | 20.03 | CD0006 | 1,35 |
| 15 | 11 | 1765 | 254T | EM7054T-I-5 | ④ | T3C | 14.8 | 99 | 44.5 | 91.3 | 92.5 | 92.4 | 67 | 78 | 82 | 25.5 | CD0006 | 1 |
| 20 | 15 | 1765 | 256T | EM7056T-I-5 | ④ | T3C | 19.2 | 140 | 59 | 92.8 | 93.1 | 93 | 69 | 80 | 84 | 25.5 | CD0006 | 1 |
| 25 | 19 | 1780 | 284T | EM7058T-I-5 | ④ | T3C | 24.5 | 158 | 73.9 | 90.6 | 92.5 | 93.6 | 70 | 79 | 82 | 28.61 | CD0006 | 1 |
| 30 | 22 | 1770 | 286T | EM7060T-I-5 | ④ | T3C | 29 | 177 | 89.2 | 93.9 | 94.4 | 93.6 | 69 | 77 | 83 | 28.61 | CD0006 | 1 |
| 40 | 30 | 1775 | 324T | EM7062T-I-5 | ④ | T3C | 39 | 267 | 118 | 93.6 | 94.3 | 94.1 | 67 | 77 | 82 | 32 | CD0006 | 1 |
| 50 | 37 | 1775 | 326T | EM7064T-I-5 | ④ | T3C | 45.6 | 318 | 149 | 94.4 | 94.9 | 94.5 | 81 | 80 | 87 | 32 | CD0006 | 1 |
| 60 | 45 | 1780 | 364T | EM7066T-I-5 | ④ | T3C | 54.2 | 346 | 177 | 95.4 | 95.5 | 95 | 77 | 84 | 87 | 33.44 | 416820-036 | 1 |
| 75 | 56 | 1780 | 365T | EM7068T-I-5 | ④ | T3C | 67.2 | 408 | 221 | 96.1 | 95.9 | 95.4 | 78 | 85 | 88 | 33.44 | 416820-036 | 1 |
| 100 | 75 | 1780 | 405T | EM7090T-I-5 | ④ | T3C | 89.6 | 566 | 295 | 95.5 | 95.7 | 95.4 | 78 | 85 | 88 | 38.31 | 416820-036 | 1 |

NOTE: CAUTION: These Explosion-proof motors are not suitable for use with adjustable speed drives.

Shaded ratings are cast iron frames.

④ Class I, Group C & D

19 = 60/50 Hertz motor. 60 Hertz data shown, contact your local Baldor•Reliance office for 50 Hertz data.

35 = NEMA Design A

Contact Baldor for Layout Drawings. See page 93 for Connection Diagrams.

Efficiencies shown are nominal. Data subject to change without notice. Contact Baldor for certified data.

Drill Rig Duty Explosion-Proof C-Face Foot Mounted



Baldor has a family of explosion proof motors designed for on and off shore drill rig service, bulk fuel terminals, and transfer stations. For use in high humidity hazardous-duty applications driving pumps, compressors, blowers, fans, and many other loads that require 1.15 service factor explosion proof motors. Design includes Class 1, Group C & D approval for use in areas where hydrogen sulfide is present. These motors feature Labyrinth-type recessed shaft slinger for increased bearing protection. Explosion-proof breather drain to prevent build up of condensation. Class F insulation. Corrosion resistant finish with two part epoxy coating. Suitable for 55°C at 1.0 service factor. UL and CSA approved for Division 1, Class I, Group C & D.



TEFC – Totally Enclosed Fan Cooled 230/460 & 575 Volt, Three Phase, 1 - 100 Hp

| Hp | kW | RPM | Frame | Catalog No. | XP Cls/ Grp | XP Temp Code | Amps @ High V | | Full Load Torque Lb. Ft. | Efficiency % | | | Power Factor % | | | Voltage | "C" Dim. | Conn. Diag. No. | Notes |
|-------|-----|------|-------|-------------|-------------|--------------|---------------|--------------|--------------------------|--------------|------|-----------|----------------|-----|-----------|---------|----------|-----------------|-------|
| | | | | | | | Full Load | Locked Rotor | | 1/2 | 3/4 | Full Load | 1/2 | 3/4 | Full Load | | | | |
| 1 1/2 | 1.1 | 1760 | 145TC | CEM7034T-I | ④ | T3C | 4.4/2.2 | 18.3 | 4.47 | 84.5 | 86.9 | 86.5 | 51 | 65 | 73 | 230/460 | 15.23 | CD0005 | 19 |
| 2 | 1.5 | 1755 | 145TC | CEM7037T-I | ④ | T3C | 5.8/2.9 | 22.9 | 5.37 | 82.9 | 85.5 | 86.5 | 49 | 62 | 73 | 230/460 | 16.1 | CD0005 | 19 |
| 3 | 2.2 | 1760 | 182TC | CEM7042T-I | ④ | T3C | 8.4/4.2 | 30.8 | 7.1 | 86 | 88.5 | 89.5 | 49 | 62 | 75 | 230/460 | 19.59 | CD0005 | 19 |
| 5 | 3.7 | 1750 | 184TC | CEM7044T-I | ④ | T3C | 13/6.5 | 53.7 | 15 | 89.7 | 90.7 | 89.5 | 62 | 74 | 80 | 230/460 | 20.84 | CD0005 | 19 |
| 7 1/2 | 5.6 | 1770 | 213TC | CEM7047T-I | ④ | T3C | 18.8/9.4 | 69.3 | 17.8 | 90.8 | 91.9 | 91.7 | 56 | 70 | 81 | 230/460 | 21.07 | CD0005 | 19,35 |
| 10 | 7.5 | 1765 | 215TC | CEM7170T-I | ④ | T3C | 24.6/12.3 | 92.9 | 26.8 | 93.4 | 92.3 | 92.4 | 61 | 74 | 81 | 230/460 | 20.78 | CD0005 | 19,35 |
| 15 | 11 | 1765 | 254TC | CEM7054T-I | ④ | T3C | 36/18 | 125 | 45 | 92.1 | 93 | 92.4 | 71 | 81 | 84 | 230/460 | 26 | CD0005 | 19 |
| 20 | 15 | 1765 | 256TC | CEM7056T-I | ④ | T3C | 48/24 | 171 | 60 | 92.9 | 93.5 | 93 | 74 | 83 | 84 | 230/460 | 26 | CD0180 | 19 |
| 25 | 19 | 1780 | 284TC | CEM7058T-I | ④ | T3C | 61/30.5 | 188 | 74 | 93.4 | 93.9 | 93.6 | 69 | 78 | 82 | 230/460 | 28.61 | CD0005 | 19 |
| 30 | 22 | 1770 | 286TC | CEM7060T-I | ④ | T3C | 72/36 | 235 | 89.1 | 93.7 | 94.3 | 93.6 | 66 | 75 | 83 | 230/460 | 28.61 | CD0005 | 19 |
| 40 | 30 | 1775 | 324TC | CEM7062T-I | ④ | T3C | 96/48 | 338 | 118 | 93.5 | 94.2 | 94.1 | 69 | 78 | 82 | 230/460 | 32 | CD0180 | 19 |
| 50 | 37 | 1775 | 326TC | CEM7064T-I | ④ | T3C | 114/57 | 384 | 143 | 94.5 | 94.4 | 94.5 | 73 | 82 | 87 | 230/460 | 32 | CD0180 | 19 |

NOTE: CAUTION: These Explosion-proof motors are not suitable for use with adjustable speed drives.

④ Class I, Group C & D

19 = 60/50 Hertz motor. 60 Hertz data shown, contact your local Baldor•Reliance office for 50 Hertz data. 35 = NEMA Design A Contact Baldor for Layout Drawings. See page 93 for Connection Diagrams.

Efficiencies shown are nominal. Data subject to change without notice. Contact Baldor for certified data.

Shaded ratings are cast iron frames.

Drill Rig Duty Explosion-Proof Close Coupled Pump

Baldor motors designed for on and off shore drill rig service, bulk fuel terminals, and transfer stations where close-coupled pump shaft configurations are required. For use in high humidity hazardous-duty applications driving pumps, compressors, blowers and fans. These motors feature Labyrinth-type recessed shaft slinger for increased bearing protection. Explosion-proof breather drain to prevent build up of condensation. Class F insulation. Corrosion resistant finish with two part epoxy coating. Rated for 55° C ambient and 1.15 service factor (EJPM71170T-I has 1.0 S.F.). UL and CSA approved for Division 1, Class I, Group C & D. Available from stock 3 hp to 10 hp with 182JP to 184JP mounting.



TEFC – Totally Enclosed Fan Cooled 230/460 Volt, Three Phase, 3 - 10 Hp

| Hp | kW | RPM | Frame | Catalog No. | XP Cls/ Grp | XP Temp Code | Amps @ High V | | Full Load Torque Lb. Ft. | Efficiency % | | | Power Factor % | | | Voltage | "C" Dim. | Conn. Diag. No. | Notes |
|-------|-----|------|--------|--------------|-------------|--------------|---------------|--------------|--------------------------|--------------|------|-----------|----------------|-----|-----------|---------|----------|-----------------|-----------|
| | | | | | | | Full Load | Locked Rotor | | 1/2 | 3/4 | Full Load | 1/2 | 3/4 | Full Load | | | | |
| 3 | 2.2 | 1755 | 182JP | EJPM7142T-I | ④ | T3C | 4.1 | 28.7 | 7.24 | 86.9 | 88.7 | 89.5 | 52 | 65 | 77 | 230/460 | 22.09 | CD0005 | 1, 19, 30 |
| 5 | 3.7 | 1750 | 184JP | EJPM7144T-I | ④ | T3C | 6 | 43.9 | 10.8 | 87.7 | 88.7 | 89.5 | 52 | 65 | 79 | 230/460 | 22.09 | CD0005 | 1, 19, 30 |
| 7 1/2 | 5.6 | 1770 | 213TCZ | EJPM71147T-I | ④ | T3C | 9.5 | 65.8 | 17.8 | 90.1 | 91.3 | 91.7 | 58 | 71 | 81 | 230/460 | 25.65 | CD0005 | 1, 19, 97 |
| 10 | 7.5 | 1765 | 215TCZ | EJPM71170T-I | ④ | T3C | 12.3 | 95.7 | 29.7 | 93.6 | 92.6 | 92.4 | 64 | 76 | 81 | 230/460 | 25.65 | CD0005 | 19, 97 |

NOTE: CAUTION: These Explosion-proof motors are not suitable for use with adjustable speed drives.

④ Class I, Group C & D

1 - Class F insulated motor with 1.15 Service Factor or higher that operates within Class "B" temperature limits at rated horsepower

19 = 60/50 Hertz motor. 60 Hertz data shown, contact your local Baldor•Reliance office for 50 Hertz data. 30 - Usable at 208 volts 97 - One size smaller flange and shaft

Contact Baldor for Layout Drawings. See page 93 for Connection Diagrams. Efficiencies shown are nominal. Data subject to change without notice. Contact Baldor for certified data.

Shaded ratings are cast iron frames.

Close Coupled Pump Motors with AEGIS Grounding Ring



These motors are designed and manufactured for commercial and industrial pump applications where adjustable speed drives are utilized. They feature Class H insulation with an AEGIS® bearing protection ring installed internally. Motors include oversized ball bearings with locked drive end construction to minimize endplay. All models meet or exceed NEMA Premium® efficiencies, are Inverter Ready, and have a 3-year warranty.



TEFC – Totally Enclosed Fan Cooled – Foot Mounted, 230/460 Volts, Three Phase, 3 - 20 Hp

| Hp | kW | RPM | Frame | Catalog No. | Amps @ High V | | Full Load Torque Lb. Ft. | Efficiency % | | | Power Factor % | | | Bearings | | Volt Code | "C" Dim. | Conn. Diag. No. |
|-------|-----|------|-------|-------------|---------------|--------------|--------------------------|--------------|------|-----------|----------------|-----|-----------|----------|------|-----------|----------|-----------------|
| | | | | | Full Load | Locked Rotor | | 1/2 | 3/4 | Full Load | 1/2 | 3/4 | Full Load | DE | ODE | | | |
| 3 | 2.2 | 3450 | 182JM | EJMM3610T-G | 3.6 | 33 | 4.5 | 87.9 | 88.2 | 86.5 | 81 | 88 | 92 | 6207 | 6203 | E | 16.91 | CD0005 |
| 3 | 2.2 | 1760 | 182JM | EJMM3611T-G | 4.2 | 32 | 8.9 | 87.8 | 89.5 | 89.5 | 54 | 68 | 75 | 6207 | 6205 | E | 18.06 | CD0005 |
| 5 | 3.7 | 3450 | 184JM | EJMM3613T-G | 5.9 | 57.2 | 7.6 | 88.4 | 89.1 | 88.5 | 81 | 88 | 91 | 6207 | 6205 | E | 18.06 | CD0005 |
| 5 | 3.7 | 1750 | 184JM | EJMM3615T-G | 6.7 | 49.1 | 14.9 | 89.7 | 90.3 | 89.5 | 60 | 72 | 78 | 6207 | 6205 | E | 19.56 | CD0005 |
| 7 1/2 | 5.6 | 3470 | 213JM | EJMM3709T-G | 8.6 | 63.1 | 11.1 | 89.2 | 90.1 | 89.5 | 80 | 87 | 90 | 6309 | 6206 | F | 19.81 | CD0005 |
| 7 1/2 | 5.6 | 1770 | 213JM | EJMM3710T-G | 9.4 | 70.1 | 22.4 | 92.2 | 92.7 | 91.7 | 63 | 75 | 81 | 6309 | 6206 | E1 | 20.94 | CD0005 |
| 10 | 7.5 | 3490 | 215JM | EJMM3711T-G | 11.8 | 78.5 | 15 | 91 | 91.3 | 90.2 | 74 | 84 | 87 | 6309 | 6206 | E | 19.81 | CD0005 |
| 10 | 7.5 | 1770 | 215JM | EJMM3714T-G | 12 | 103 | 29.5 | 92.1 | 92.4 | 91.7 | 66 | 79 | 85 | 6309 | 6206 | E | 22.44 | CD0005 |
| 15 | 11 | 3520 | 254JM | EJMM2394T-G | 17.5 | 110 | 22.1 | 91 | 91.6 | 91 | 77 | 85 | 87 | 6309 | 6208 | E1 | 25.3 | CD0180 |
| 15 | 11 | 1765 | 254JM | EJMM2333T-G | 18.5 | 122.9 | 44.6 | 91.9 | 92.6 | 92.4 | 66 | 77 | 82 | 6309 | 6208 | E1 | 25.3 | CD0005 |
| 20 | 15 | 3520 | 256JM | EJMM4106T-G | 23 | 161 | 29.6 | 92.2 | 92.4 | 91 | 78 | 86 | 89 | 6309 | 6208 | E1 | 25.3 | CD0005 |
| 20 | 15 | 1765 | 256JM | EJMM2334T-G | 24 | 175 | 59 | 92.8 | 93.1 | 93 | 69 | 80 | 84 | 6309 | 6208 | E1 | 25.3 | CD0005 |

NOTE: Volt Code: E=208-230/460 volts; E1=230/460 volts, usable at 208 volts. See page 86 for Layout drawing. See pages 93 for Connection Diagrams. Efficiencies shown are nominal. Data subject to change without notice. Contact Baldor for certified data.

Shaded ratings are cast iron frames.

Close Coupled Pump Motors with AEGIS Grounding Ring



ODP – Totally Enclosed Fan Cooled Foot Mounted, 230/460 Volts, Three Phase, 3 - 20 Hp



| Hp | kW | RPM | Frame | Catalog No. | Amps @ High V | | Full Load Torque Lb. Ft. | Efficiency % | | | Power Factor % | | | Bearings | | Volt Code | "C" Dim. | Conn. Diag. No. |
|-------|------|------|-------|-------------|---------------|--------------|--------------------------|--------------|------|-----------|----------------|-----|-----------|----------|------|-----------|----------|-----------------|
| | | | | | Full Load | Locked Rotor | | 1/2 | 3/4 | Full Load | 1/2 | 3/4 | Full Load | DE | ODE | | | |
| 1 | 0.75 | 1760 | 143JM | EJMM3116T-G | 1.5 | 12.1 | 3 | 82.1 | 84.8 | 85.5 | 49 | 62 | 71 | 6206 | 6203 | E | 13.75 | CD0005 |
| 1 1/2 | 1.1 | 1755 | 145JM | EJMM3154T-G | 2.2 | 17.5 | 4.5 | 83.5 | 86 | 86.5 | 50 | 63 | 72 | 6206 | 6203 | E1 | 13.75 | CD0005 |
| 2 | 1.5 | 1750 | 145JM | EJMM3157T-G | 2.9 | 24.3 | 6 | 84.4 | 86.6 | 86.5 | 51 | 64 | 73 | 6206 | 6203 | E1 | 14.25 | CD0005 |
| 3 | 2.2 | 3450 | 145JM | EJMM3158T-G | 3.8 | 32.5 | 4.5 | 83.8 | 85.4 | 85.5 | 72 | 82 | 87 | 6206 | 6203 | E1 | 15.13 | CD0005 |
| 3 | 2.2 | 1765 | 182JM | EJMM3211T-G | 4.2 | 32.3 | 8.9 | 87.5 | 89.5 | 89.5 | 53 | 66 | 73 | 6207 | 6205 | E1 | 16.5 | CD0005 |
| 5 | 3.7 | 3450 | 182JM | EJMM3212T-G | 6 | 50.7 | 7.7 | 86.7 | 87.6 | 86.5 | 81 | 88 | 91 | 6207 | 6205 | E | 15.12 | CD0005 |
| 5 | 3.7 | 1750 | 184JM | EJMM3218T-G | 6.6 | 44.8 | 15 | 89.7 | 90.2 | 89.5 | 64 | 75 | 80 | 6207 | 6205 | E | 18 | CD0005 |
| 7 1/2 | 5.6 | 3450 | 184JM | EJMM3219T-G | 8.6 | 86.3 | 11.3 | 88.1 | 89.2 | 88.5 | 80 | 87 | 91 | 6207 | 6205 | E | 16.5 | CD0005 |
| 7 1/2 | 5.6 | 1770 | 213JM | EJMM3311T-G | 9.7 | 68.2 | 22.1 | 90.5 | 91.4 | 91 | 92 | 73 | 79 | 6309 | 6206 | F | 18.19 | CD0005 |
| 10 | 7.5 | 3500 | 213JM | EJMM3312T-G | 11.4 | 98 | 15 | 90.9 | 92 | 91.7 | 81 | 87 | 90 | 6309 | 6206 | E | 19.31 | CD0005 |
| 10 | 7.5 | 1770 | 215JM | EJMM3313T-G | 12.5 | 88.3 | 29.7 | 91.6 | 92.3 | 91.7 | 66 | 77 | 82 | 6309 | 6206 | F | 19.31 | CD0005 |
| 15 | 11 | 3525 | 215JM | EJMM3314T-G | 17.5 | 143 | 22.5 | 91.9 | 92.3 | 90.2 | 80 | 87 | 89 | 6309 | 6206 | F | 18.19 | CD0005 |
| 15 | 11 | 1765 | 254JM | EJMM2513T-G | 17.7 | 118 | 44.6 | 93.3 | 93.5 | 93 | 70 | 81 | 86 | 6309 | 6208 | E1 | 23.19 | CD0180 |

NOTE: Volt Code: E=208-230/460 volts; E1=230/460 volts, usable at 208 volts; F=230/460 volts. See page 86 for Layout drawing. See pages 93 for Connection Diagrams. Efficiencies shown are nominal. Data subject to change without notice. Contact Baldor for certified data.

Close Coupled Pump Motors – TEFC

Close Coupled Pump, TEFC, Premium Efficient motors are designed to meet a wide variety of applications for circulating and transferring fluids. These motors have a JP shaft configuration and have mounting that is designed to support the pump unit. These motors feature over-sized ball bearings with locked drive end construction to minimize endplay.



TEFC – Totally Enclosed Fan Cooled 230/460 Volts, Three Phase, 1 - 50 Hp

| Hp | kW | RPM | Frame | Catalog No. | Amps @ High V | | Full Load Torque Lb. Ft. | Efficiency % | | | Power Factor % | | | Bearings | | Volt Code | "C" Dim. | Conn. Diag. No. |
|----------------------------|------|------|-------|-------------|---------------|--------------|--------------------------|--------------|------|-----------|----------------|-----|-----------|----------|------|-----------|----------|-----------------|
| | | | | | Full Load | Locked Rotor | | 1/2 | 3/4 | Full Load | 1/2 | 3/4 | Full Load | DE | ODE | | | |
| C-Face Foot Mounted | | | | | | | | | | | | | | | | | | |
| 1 | 0.75 | 1760 | 143JM | EJMM3546T | 1.5 | 12.1 | 3 | 82.1 | 84.8 | 85.5 | 49 | 62 | 71 | 6206 | 6203 | E | 15.43 | CD0005 |
| 1 1/2 | 1.1 | 3500 | 143JM | EJMM3550T | 1.9 | 17.9 | 2.2 | 82.2 | 84.4 | 84 | 67 | 79 | 85 | 6206 | 6203 | E | 15.43 | CD0005 |
| 1 1/2 | 1.1 | 1760 | 145JM | EJMM3554T | 2.2 | 18.3 | 4.5 | 84.5 | 86.8 | 86.5 | 51 | 65 | 73 | 6206 | 6203 | E | 15.43 | CD0005 |
| 2 | 1.5 | 3490 | 145JM | EJMM3555T | 2.5 | 25.9 | 3 | 83.5 | 85.9 | 85.5 | 75 | 84 | 88 | 6206 | 6203 | E | 15.43 | CD0005 |
| 2 | 1.5 | 1755 | 145JM | EJMM3558T | 2.9 | 24.3 | 6 | 84.2 | 86.4 | 86.5 | 51 | 64 | 73 | 6206 | 6203 | E | 16.31 | CD0005 |
| 3 | 2.2 | 3450 | 143JM | EJMM3559T | 3.6 | 33 | 4.5 | 87.9 | 88.2 | 86.5 | 81 | 88 | 92 | 6206 | 6203 | E | 16.31 | CD0005 |
| 3 | 2.2 | 3450 | 182JM | EJMM3610T | 3.6 | 33 | 4.5 | 87.9 | 88.2 | 86.5 | 81 | 88 | 92 | 6207 | 6203 | E | 16.84 | CD0005 |
| 3 | 2.2 | 1760 | 182JM | EJMM3611T | 4.2 | 32 | 8.9 | 87.8 | 89.5 | 89.5 | 54 | 68 | 75 | 6207 | 6205 | E | 18.06 | CD0005 |
| 5 | 3.7 | 3450 | 184JM | EJMM3613T | 5.9 | 57.2 | 7.6 | 88.4 | 89.1 | 88.5 | 81 | 88 | 91 | 6207 | 6205 | E | 18.06 | CD0005 |
| 5 | 3.7 | 1750 | 184JM | EJMM3615T | 6.7 | 49.1 | 14.9 | 89.7 | 90.3 | 89.5 | 60 | 72 | 78 | 6207 | 6205 | E | 19.56 | CD0005 |
| 7 1/2 | 5.6 | 3450 | 184JM | EJMM3616T | 8.4 | 91 | 11.4 | 90.6 | 90.7 | 89.5 | 85 | 90 | 93 | 6207 | 6205 | E | 19.56 | CD0005 |
| 7 1/2 | 5.6 | 3470 | 213JM | EJMM3709T | 8.6 | 63.1 | 11.1 | 89.2 | 90.1 | 89.5 | 80 | 87 | 90 | 6309 | 6206 | F | 19.81 | CD0005 |
| 7 1/2 | 5.6 | 1770 | 213JM | EJMM3710T | 9.4 | 70.1 | 22.4 | 92.2 | 92.7 | 91.7 | 63 | 75 | 81 | 6309 | 6206 | E1 | 20.94 | CD0005 |
| 10 | 7.5 | 3490 | 215JM | EJMM3711T | 11.8 | 78.5 | 15 | 91 | 91.3 | 90.2 | 74 | 84 | 87 | 6309 | 6206 | E | 19.81 | CD0005 |
| 10 | 7.5 | 1770 | 215JM | EJMM3714T | 12 | 103 | 29.5 | 92.1 | 92.4 | 91.7 | 66 | 79 | 85 | 6309 | 6206 | E | 22.44 | CD0005 |
| 10 | 7.5 | 1770 | 215JP | EJPM3714T | 12 | 103 | 29.5 | 92.1 | 92.4 | 91.7 | 66 | 79 | 85 | 6309 | 6206 | E | 26.29 | CD0005 |
| 15 | 11 | 3520 | 254JM | EJMM2394T | 17.5 | 110 | 22.1 | 91 | 91.6 | 91 | 77 | 85 | 87 | 6309 | 6208 | E1 | 25.3 | CD0180 |
| 15 | 11 | 3525 | 254JP | EJPM2394T | 17.8 | 131 | 22.2 | 90.4 | 91.3 | 91 | 73 | 82 | 86 | 6309 | 6208 | E | 28.16 | CD0180 |
| 15 | 11 | 1765 | 254JM | EJMM2333T | 18.5 | 122.9 | 44.6 | 91.9 | 92.6 | 92.4 | 66 | 77 | 82 | 6309 | 6208 | E1 | 25.3 | CD0005 |
| 15 | 11 | 1765 | 254JP | EJPM2333T | 18.5 | 122.9 | 44.6 | 91.9 | 92.6 | 92.4 | 66 | 77 | 82 | 6309 | 6208 | E | 28.04 | CD0005 |
| 20 | 15 | 3520 | 256JM | EJMM4106T | 23 | 161 | 29.6 | 92.2 | 92.4 | 91 | 78 | 86 | 89 | 6309 | 6208 | E1 | 25.3 | CD0005 |
| 20 | 15 | 3510 | 256JP | EJPM4106T | 23 | 159 | 29.8 | 92.2 | 92.1 | 91 | 78 | 85 | 89 | 6309 | 6208 | E | 28.16 | CD0180 |
| 20 | 15 | 1765 | 256JM | EJMM2334T | 24 | 175 | 59 | 92.8 | 93.1 | 93 | 69 | 80 | 84 | 6309 | 6208 | E1 | 25.3 | CD0005 |
| 20 | 15 | 1765 | 256JP | EJPM2334T | 24 | 121 | 59 | 92.8 | 93.1 | 93 | 69 | 80 | 84 | 6309 | 6208 | E1 | 28.16 | CD0005 |
| 25 | 19 | 3525 | 284JM | EJMM4107T | 29 | 249 | 37 | 89.2 | 91.2 | 91.7 | 75 | 83 | 90 | 6312 | 6208 | E1 | 26.96 | CD0005 |
| 25 | 19 | 3525 | 284JP | EJPM4107T | 29 | 249 | 37 | 89.2 | 91.2 | 91.7 | 75 | 83 | 90 | 6312 | 9208 | E1 | 29.84 | CD0005 |
| 25 | 19 | 1770 | 284JM | EJMM4103T | 30 | 186 | 74.2 | 92.3 | 93.5 | 93.6 | 73 | 81 | 85 | 6312 | 6309 | E1 | 28.64 | CD0005 |
| 25 | 19 | 1770 | 284JP | EJPM4103T | 30 | 186 | 74.2 | 92.3 | 93.5 | 93.6 | 73 | 81 | 85 | 6312 | 6309 | E1 | 31.51 | CD0005 |
| 30 | 22 | 3520 | 286JM | EJMM4108T | 33 | 214 | 44.5 | 92.8 | 93.2 | 91.7 | 83 | 89 | 91 | 6312 | 6309 | E | 28.64 | CD0180 |
| 30 | 22 | 3520 | 286JP | EJPM4108T | 35 | 211 | 45.1 | 92.3 | 92.9 | 91.7 | 77 | 85 | 87 | 6312 | 6309 | E | 31.51 | CD0180 |
| 30 | 22 | 1770 | 286JM | EJMM4104T | 36 | 235 | 89.1 | 93.7 | 94.3 | 93.6 | 66 | 75 | 83 | 6312 | 6309 | E1 | 28.64 | CD0005 |
| 30 | 22 | 1770 | 286JP | EJPM4104T | 36 | 235 | 89.1 | 93.7 | 94.3 | 93.6 | 66 | 75 | 73 | 6312 | 6309 | E1 | 31.51 | CD0005 |
| 40 | 30 | 3530 | 324JM | EJMM4109T | 45 | 324 | 59.5 | 93.4 | 93.7 | 92.4 | 82 | 88 | 90 | 6312 | 6309 | E | 30.64 | CD0180 |
| 40 | 30 | 3530 | 324JP | EJPM4109T | 45 | 324 | 59.5 | 93.4 | 93.7 | 92.4 | 82 | 88 | 90 | 6312 | 6309 | E | 33.51 | CD0180 |
| 40 | 30 | 1775 | 324JM | EJMM4110T | 48 | 338 | 118 | 93.5 | 94.2 | 94.1 | 69 | 78 | 83 | 6312 | 6311 | E1 | 30.65 | CD0180 |
| 40 | 30 | 1775 | 324JP | EJPM4110T | 48 | 338 | 118 | 93.5 | 94.2 | 94.1 | 69 | 78 | 83 | 6312 | 6311 | E1 | 33.41 | CD0180 |
| 50 | 37 | 3540 | 326JM | EJMM4114T | 56 | 431 | 74.1 | 93.5 | 94.3 | 93 | 78 | 85 | 89 | 6312 | 6311 | E | 30.65 | CD0180 |
| 50 | 37 | 3540 | 326JP | EJPM4114T | 56 | 431 | 74.1 | 93.5 | 94.3 | 93 | 78 | 85 | 89 | 6312 | 6311 | E1 | 33.41 | CD0180 |
| 50 | 37 | 1775 | 326JM | EJMM4115T | 57 | 392 | 149 | 94.4 | 94.9 | 94.5 | 73 | 82 | 85 | 6312 | 6311 | E1 | 30.65 | CD0180 |
| 50 | 37 | 1775 | 326JP | EJPM4115T | 57 | 392 | 149 | 94.4 | 94.9 | 94.5 | 73 | 82 | 85 | 6312 | 6311 | E1 | 33.41 | CD0180 |
| C-Face Footless | | | | | | | | | | | | | | | | | | |
| 1 | 0.75 | 1760 | 143JM | VEJMM3546T | 1.5 | 12.1 | 3 | 82.1 | 84.8 | 85.5 | 49 | 62 | 71 | 6206 | 6203 | E | 14.43 | CD0005 |
| 1 1/2 | 1.1 | 1760 | 145JM | VEJMM3554T | 2.2 | 18.3 | 4.5 | 84.5 | 86.8 | 86.5 | 51 | 65 | 73 | 6206 | 6203 | E | 15.43 | CD0005 |
| 2 | 1.5 | 1755 | 145JM | VEJMM3558T | 2.9 | 24.3 | 6 | 84.2 | 86.4 | 86.5 | 51 | 64 | 73 | 6206 | 6203 | E | 16.31 | CD0005 |
| 3 | 2.2 | 1760 | 182JM | VEJMM3611T | 4.2 | 32 | 8.9 | 87.8 | 89.5 | 89.5 | 54 | 68 | 75 | 6207 | 6205 | E | 18.05 | CD0005 |
| 5 | 3.7 | 1750 | 184JM | VEJMM3615T | 6.7 | 49.1 | 14.9 | 89.7 | 90.3 | 89.5 | 60 | 72 | 78 | 6207 | 6205 | E | 19.7 | CD0005 |
| 7 1/2 | 5.6 | 1770 | 213JM | VEJMM3710T | 9.4 | 70.1 | 22.4 | 92.2 | 92.7 | 91.7 | 63 | 75 | 81 | 6309 | 6206 | E1 | 20.92 | CD0005 |
| 10 | 7.5 | 1770 | 215JM | VEJMM3714T | 12 | 103 | 29.5 | 92.1 | 92.4 | 91.7 | 66 | 79 | 85 | 6309 | 6206 | E | 22.4 | CD0005 |

NOTE: Volt Code: E=208-230/460 volts; E1=230/460 volts, usable at 208 volts; F=230/460 volts.

See page 86 for Layout drawing. See pages 93 for Connection Diagrams.

Efficiencies shown are nominal. Data subject to change without notice. Contact Baldor for certified data.

Shaded ratings are cast iron frames.

Close Coupled Pump Motors – ODP



These motors are designed and manufactured to meet the needs of circulating and transferring fluid applications. The motor flange and shaft are designed to support the pump unit. Close coupled Pump motors include Over-sized ball bearings with locked drive end construction to minimize endplay. Open Drip Proof frame designs include rodent screens on both ends. These Super-E motors meet NEMA Premium Efficiency requirements, have a 1.15 service factor and Class F insulation.



ODP - Open Drip Proof 230/460 Volts, Three Phase, 1 - 50 Hp

| Hp | kW | RPM | Frame | Catalog No. | Amps @ High V | | Full Load Torque Lb. Ft. | Efficiency % | | | Power Factor % | | | Bearings | | Volt Code | "C" Dim. | Conn. Diag. No. |
|----------------------------|------|------|-------|-------------|---------------|--------------|--------------------------|--------------|------|-----------|----------------|-----|-----------|----------|------|-----------|----------|-----------------|
| | | | | | Full Load | Locked Rotor | | 1/2 | 3/4 | Full Load | 1/2 | 3/4 | Full Load | DE | ODE | | | |
| C-Face Foot Mounted | | | | | | | | | | | | | | | | | | |
| 1 | 0.75 | 1760 | 143JM | EJMM3116T | 1.5 | 12.1 | 3 | 82.1 | 84.8 | 85.5 | 49 | 62 | 71 | 6206 | 6203 | E | 13.75 | CD0005 |
| 1 1/2 | 1.1 | 1755 | 145JM | EJMM3154T | 2.2 | 17.5 | 4.5 | 83.5 | 86 | 86.5 | 50 | 63 | 72 | 6206 | 6203 | F | 13.75 | CD0005 |
| 2 | 1.5 | 3450 | 145JM | EJMM3155T | 2.5 | 21.5 | 3 | 85.2 | 86.8 | 85.5 | 72 | 82 | 87 | 6206 | 6203 | E | 13.75 | CD0005 |
| 2 | 1.5 | 1750 | 145JM | EJMM3157T | 2.9 | 24.3 | 6 | 84.4 | 86.6 | 86.5 | 51 | 64 | 73 | 6206 | 6203 | F | 14.25 | CD0005 |
| 3 | 2.2 | 3450 | 145JM | EJMM3158T | 3.8 | 32.5 | 4.5 | 83.8 | 85.4 | 85.5 | 72 | 82 | 87 | 6206 | 6203 | E1 | 15.13 | CD0005 |
| 3 | 2.2 | 1765 | 182JM | EJMM3211T | 4.2 | 32.3 | 8.9 | 87.5 | 89.5 | 89.5 | 53 | 66 | 73 | 6207 | 6205 | E1 | 16.5 | CD0005 |
| 5 | 3.7 | 3450 | 182JM | EJMM3212T | 6 | 50.7 | 7.7 | 86.7 | 87.6 | 86.5 | 81 | 88 | 91 | 6207 | 6205 | E | 15.12 | CD0005 |
| 5 | 3.7 | 1750 | 184JM | EJMM3218T | 6.6 | 44.8 | 15 | 89.7 | 90.2 | 89.5 | 64 | 75 | 80 | 6207 | 6205 | E | 18 | CD0005 |
| 7 1/2 | 5.6 | 3450 | 184JM | EJMM3219T | 8.6 | 86.3 | 11.3 | 88.1 | 89.2 | 88.5 | 80 | 87 | 91 | 6207 | 6205 | E | 16.5 | CD0005 |
| 7 1/2 | 5.6 | 1770 | 213JM | EJMM3311T | 9.7 | 68.2 | 22.1 | 90.5 | 91.4 | 91 | 92 | 73 | 79 | 6309 | 6206 | E1 | 18.19 | CD0005 |
| 10 | 7.5 | 3500 | 213JM | EJMM3312T | 11.4 | 98 | 15 | 90.9 | 92 | 90.2 | 81 | 87 | 90 | 6309 | 6206 | E | 19.31 | CD0005 |
| 10 | 7.5 | 3500 | 213JP | EJPM3312T | 11.4 | 98 | 15 | 90.9 | 92.4 | 90.2 | 86 | 89 | 90 | 6309 | 6206 | E | 22.07 | CD0005 |
| 10 | 7.5 | 1770 | 215JM | EJMM3313T | 12.5 | 88.3 | 29.7 | 91.6 | 92.3 | 91.7 | 66 | 77 | 82 | 6309 | 6206 | E1 | 19.31 | CD0005 |
| 10 | 7.5 | 1770 | 215JP | EJPM3313T | 12.5 | 88.3 | 29.7 | 91.7 | 92.2 | 91.7 | 66 | 77 | 82 | 6309 | 6206 | E | 22.07 | CD0005 |
| 15 | 11 | 3525 | 215JM | EJMM3314T | 17.5 | 143 | 22.5 | 91.9 | 92.3 | 90.2 | 80 | 87 | 89 | 6309 | 6206 | E | 18.19 | CD0005 |
| 15 | 11 | 3525 | 215JP | EJPM3314T | 17.5 | 143 | 22.5 | 91.9 | 92.3 | 90.2 | 80 | 87 | 89 | 6309 | 6206 | E | 20.94 | CD0005 |
| 15 | 11 | 1765 | 254JM | EJMM2513T | 17.7 | 118 | 44.6 | 93.3 | 93.5 | 93 | 70 | 81 | 86 | 6309 | 6208 | E1 | 23.19 | CD0180 |
| 15 | 11 | 1765 | 254JP | EJPM2513T | 17.7 | 211 | 44.8 | 93.7 | 93.7 | 93 | 82 | 88 | 90 | 6309 | 6208 | E | 26.06 | CD0180 |
| 20 | 15 | 3510 | 254JM | EJMM2514T | 23.5 | 153 | 29.6 | 90.1 | 91.2 | 91 | 74 | 83 | 87 | 6309 | 6208 | E1 | 23.19 | CD0180 |
| 20 | 15 | 3525 | 254JP | EJPM2514T | 23.5 | 139 | 30 | 91.4 | 91.8 | 91 | 80 | 86 | 88 | 6309 | 6208 | E1 | 26.06 | CD0180 |
| 20 | 15 | 1765 | 256JM | EJMM2515T | 23.5 | 160.8 | 59.4 | 92.5 | 93.2 | 93 | 71 | 81 | 86 | 6309 | 6208 | E1 | 23.19 | CD0180 |
| 20 | 15 | 1765 | 256JP | EJPM2515T | 23.5 | 160.8 | 59.4 | 92.5 | 93.2 | 93 | 71 | 81 | 86 | 6309 | 6208 | E1 | 26.06 | CD0180 |
| 25 | 19 | 3515 | 256JM | EJMM2516T | 28 | 197 | 37.2 | 91.8 | 92.3 | 91.7 | 79 | 86 | 89 | 6309 | 6208 | E1 | 23.19 | CD0180 |
| 25 | 19 | 3530 | 256JP | EJPM2516T | 29 | 204 | 37 | 93.2 | 92.9 | 91.7 | 77 | 83 | 87 | 6309 | 6208 | E1 | 26.06 | CD0180 |
| 25 | 19 | 1760 | 284JM | EJMM2531T | 29 | 180 | 74 | 93.2 | 93.9 | 93.6 | 72 | 82 | 86 | 6312 | 6309 | F | 24.69 | CD0180 |
| 25 | 19 | 1760 | 284JP | EJPM2531T | 29 | 180 | 74 | 93.2 | 93.9 | 93.6 | 72 | 82 | 86 | 6312 | 6309 | E1 | 27.57 | CD0180 |
| 30 | 22 | 3510 | 284JM | EJMM2534T | 33 | 207 | 45 | 92.5 | 92.6 | 91.7 | 87 | 91 | 92 | 6312 | 6208 | F | 26.56 | CD0005 |
| 30 | 22 | 3510 | 284JP | EJPM2534T | 33 | 207 | 45 | 92.5 | 92.6 | 91.7 | 87 | 91 | 92 | 6312 | 6208 | F | 29.44 | CD0005 |
| 30 | 22 | 1770 | 286JM | EJMM2535T | 35 | 223.6 | 88.9 | 93.6 | 94.2 | 94.1 | 72 | 82 | 85 | 6312 | 6309 | F | 25.94 | CD0005 |
| 30 | 22 | 1770 | 286JP | EJPM2535T | 35 | 223.6 | 88.9 | 93.6 | 94.2 | 94.1 | 72 | 82 | 85 | 6312 | 6309 | E1 | 28.82 | CD0005 |
| 40 | 30 | 3510 | 286JM | EJMM2538T | 45 | 326 | 60.7 | 94.1 | 93.8 | 92.4 | 82 | 88 | 90 | 6312 | 6208 | F | 26.56 | CD0180 |
| 40 | 30 | 3510 | 286JP | EJPM2538T | 45 | 326 | 60.7 | 94.1 | 93.8 | 92.4 | 82 | 88 | 90 | 6312 | 6208 | F | 29.44 | CD0180 |
| 40 | 30 | 1770 | 324JM | EJMM2539T | 49 | 330 | 119 | 94 | 94.5 | 94.1 | 65 | 76 | 82 | 6312 | 6309 | F | 27.44 | CD0005 |
| 40 | 30 | 1775 | 324JP | EJPM2539T | 47 | 280 | 118 | 93.6 | 94.4 | 94.1 | 76 | 82 | 84 | 6312 | 6311 | E1 | 29.82 | CD0180 |
| 50 | 37 | 3530 | 324JM | EJMM2542T | 55 | 408 | 74.2 | 94.7 | 94.8 | 93 | 82 | 87 | 90 | 6312 | 6309 | E | 27.44 | CD0180 |
| 50 | 37 | 3530 | 324JP | EJPM2542T | 55 | 408 | 74.2 | 94.7 | 94.8 | 93 | 82 | 87 | 90 | 6312 | 6309 | F | 30.31 | CD0180 |
| 50 | 37 | 1775 | 326JM | EJMM2543T | 57 | 378 | 148 | 94.5 | 94.9 | 94.5 | 75 | 84 | 87 | 6312 | 6311 | F | 27.94 | CD0180 |
| 50 | 37 | 1775 | 326JP | EJPM2543T | 57 | 378 | 148 | 94.5 | 94.9 | 94.5 | 75 | 84 | 87 | 6312 | 6311 | E1 | 30.82 | CD0180 |
| C-Face Footless | | | | | | | | | | | | | | | | | | |
| 1 | 0.75 | 1760 | 143JM | VEJMM3116T | 1.5 | 12.1 | 3 | 82.1 | 84.8 | 85.5 | 49 | 62 | 71 | 6206 | 6203 | E | 14.43 | CD0005 |
| 1 1/2 | 1.1 | 1755 | 145JM | VEJMM3154T | 2.2 | 17.5 | 4.5 | 83.5 | 86 | 86.5 | 50 | 63 | 72 | 6206 | 6203 | F | 15.43 | CD0005 |
| 2 | 1.5 | 1750 | 145JM | VEJMM3157T | 2.9 | 24.3 | 6 | 84.4 | 86.6 | 86.5 | 51 | 64 | 73 | 6206 | 6203 | F | 15.43 | CD0005 |
| 3 | 2.2 | 1765 | 184JM | VEJMM3211T | 4.2 | 32.3 | 8.9 | 87.5 | 89.5 | 89.5 | 53 | 66 | 73 | 6207 | 6205 | E1 | 18.06 | CD0005 |
| 5 | 3.7 | 1750 | 184JM | VEJMM3218T | 6.6 | 44.8 | 15 | 89.7 | 90.2 | 89.5 | 64 | 75 | 80 | 6207 | 6205 | E | 19.56 | CD0005 |
| 7 1/2 | 5.6 | 1770 | 213JM | VEJMM3311T | 9.6 | 67.5 | 22.2 | 89.6 | 91.5 | 91 | 61 | 74 | 80 | 6309 | 6206 | E1 | 19.78 | CD0005 |
| 10 | 7.5 | 1770 | 215JM | VEJMM3313T | 12 | 100 | 26.6 | 92.4 | 92.3 | 91.7 | 63 | 77 | 84 | 6309 | 6206 | E | 22.41 | CD0005 |

NOTE: Volt Code: E = 208-230/460V, 60Hz; E1 = 230/460V, 60Hz, usable at 208V; F = 230/460V, 60Hz
See page 88 for Layout drawing. See pages 93 for Connection Diagrams.
Efficiencies shown are nominal. Data subject to change without notice. Contact Baldor for certified data.

Close-Coupled Pump SSE Super-E® Stainless Steel Encapsulated Motors

SSE Stainless steel pump motors are well suited to commercial and industrial water pumps, food processing and applications that expose the motor to high pressure washdown and corrosive environments. Their rugged frame design includes stainless steel motor frame, endplates, conduit box, shaft and base. Moisture resistant insulation system. Endplate rabbets have O-ring seals. Conduit box is welded to the motor frame. Patented bearing seal to protect motor bearings. Epoxy encapsulation, Class H insulation. Nameplate information is laser etched onto the frame. NEMA Premium® efficiency. 3 year warranty.



TEFC – Totally Enclosed Fan Cooled, TENV – Totally Enclosed Non-Ventilated 230/460 Volts, Three Phase, 1 - 10 Hp

| Hp | kW | RPM | Frame | Encl. | Catalog No. | Amps @ High V | | Full Load Torque Lb. Ft. | Efficiency % | | | Power Factor % | | | Bearings | | Volt Code | "C" Dim. | Conn. Diag. No. |
|-------|------|------|-------|-------|---------------|---------------|--------------|--------------------------|--------------|------|-----------|----------------|-----|-----------|----------|------|-----------|----------|-----------------|
| | | | | | | Full Load | Locked Rotor | | 1/2 | 3/4 | Full Load | 1/2 | 3/4 | Full Load | DE | ODE | | | |
| 1 | 0.75 | 1760 | 143JM | TENV | JMSSEWDM3546T | 1.5 | 15 | 2.98 | 84.4 | 87.2 | 87.8 | 49 | 63 | 72 | 6206 | 6205 | E | 14.94 | CD0005 |
| 1 1/2 | 1.1 | 3500 | 143JM | TENV | JMSSEWDM3550T | 1.8 | 20.6 | 2.31 | 82.3 | 85.2 | 86.1 | 77 | 86 | 92 | 6206 | 6205 | E | 15.82 | CD0005 |
| 1 1/2 | 1.1 | 1765 | 145JM | TEFC | JMSSEWDM3554T | 2.2 | 20 | 4.49 | 86 | 87.9 | 88.5 | 52 | 66 | 74 | 6206 | 6205 | E | 16.96 | CD0005 |
| 2 | 1.5 | 3500 | 145JM | TEFC | JMSSEWDM3555T | 2.5 | 31 | 3 | 83.7 | 86 | 86.6 | 76 | 85 | 90 | 6206 | 6205 | E | 16.96 | CD0005 |
| 2 | 1.5 | 1755 | 145JM | TEFC | JMSSEWDM3558T | 2.7 | 24.1 | 5.99 | 87.3 | 88.7 | 88.8 | 55 | 69 | 77 | 6206 | 6205 | E | 18.34 | CD0005 |
| 3 | 2.2 | 3470 | 145JM | TEFC | JMSSEWDM3559T | 3.7 | 48.3 | 4.5 | 86.3 | 87.2 | 86.9 | 79 | 87 | 91 | 6206 | 6205 | E | 18.34 | CD0005 |
| 3 | 2.2 | 1760 | 182JM | TEFC | JMSSEWDM3611T | 4.2 | 34.1 | 9.04 | 88.1 | 89.6 | 89.7 | 56 | 69 | 76 | 6207 | 6206 | E1 | 19.73 | CD0005 |
| 5 | 3.7 | 3500 | 184JM | TEFC | JMSSEWDM3613T | 5.6 | 62.5 | 7.5 | 89 | 90 | 89.6 | 83 | 89 | 93 | 6207 | 6206 | E | 18.23 | CD0005 |
| 5 | 3.7 | 1750 | 184JM | TEFC | JMSSEWDM3615T | 6.5 | 48.3 | 15.2 | 90.5 | 90.7 | 89.8 | 64 | 75 | 81 | 6207 | 6206 | E | 19.73 | CD0005 |
| 7 1/2 | 5.6 | 3500 | 213JM | TEFC | JMSSEWDM3709T | 8.3 | 87 | 11.5 | 90.9 | 92.1 | 91.9 | 79 | 90 | 93 | 6309 | 6307 | E | 21.56 | CD0005 |
| 7 1/2 | 5.6 | 1770 | 213JM | TEFC | JMSSEWDM3710T | 9.5 | 73 | 22.3 | 91.1 | 92.1 | 91.7 | 65 | 75 | 81 | 6309 | 6307 | E | 22.75 | CD0005 |
| 10 | 7.5 | 3500 | 215JM | TEFC | JMSSEWDM3711T | 10.6 | 115 | 15 | 92 | 92.4 | 91.8 | 83 | 91 | 94 | 6309 | 6307 | E | 22.75 | CD0005 |
| 10 | 7.5 | 1770 | 215JM | TEFC | JMSSEWDM3714T | 12.5 | 105.2 | 29.9 | 92.5 | 93.1 | 92.8 | 65 | 76 | 81 | 6309 | 6307 | E | 24.19 | CD0180 |

NOTE: Volt Code: E = 208-230/460V, 60Hz; E1 = 230/460V, 60Hz, usable at 208V

Contact Baldor for Layout Drawings. See pages 93 for Connection Diagrams.

Efficiencies shown are nominal. Data subject to change without notice. Contact Baldor for certified data.



Vertical P-Base – TEFC Normal Thrust

These solid shaft motors are ideal for normal thrust in-line pump applications, including aerators for wastewater treatment plants, petroleum refineries, chemical plants, pulp and paper mills, and agriculture irrigation. Features include 1.15 Service Factor, cast iron frame, corrosion resistant epoxy finish, shaft seals, and dual lifting lugs. Motors are NEMA Premium® efficiency and are Inverter Ready. Motors have severe duty features.



TEFC – Totally Enclosed Fan Cooled 230/460 Volts, Three Phase, 3 - 75 Hp

| Hp | kW | RPM | Frame | Catalog No. | Amps @ High V | | F.L. Torque Lb. Ft. | Efficiency % | | | Power Factor % | | | Bearings | | Max Thrust Load Lbs. | Volt Code | "C" Dim. | Conn. Diag. No. |
|-------|-----|------|-------|-------------|---------------|-------|---------------------|--------------|------|------|----------------|-----|------|----------|------|----------------------|-----------|----------|-----------------|
| | | | | | F.L. | L.R. | | 1/2 | 3/4 | F.L. | 1/2 | 3/4 | F.L. | DE | ODE | | | | |
| 3 | 2.2 | 3500 | 182HP | VHECP3660T | 3.5 | 37.6 | 4.5 | 87.9 | 89.6 | 89.5 | 73 | 84 | 89 | 6307 | 6206 | 420 | E1 | 22.18 | CD0005 |
| 3 | 2.2 | 1755 | 182HP | VHECP3661T | 4.1 | 29.8 | 9.1 | 88.9 | 90.1 | 89.5 | 58 | 70 | 77 | 6307 | 6206 | 563 | E | 22.18 | CD0005 |
| 5 | 3.7 | 3490 | 184HP | VHECP3663T | 5.7 | 64.8 | 7.5 | 89.4 | 90.8 | 90.2 | 76 | 85 | 90 | 6307 | 6206 | 420 | E1 | 22.18 | CD0005 |
| 5 | 3.7 | 1750 | 184HP | VHECP3665T | 6.5 | 54 | 14.9 | 90.3 | 91.2 | 90.2 | 60 | 73 | 80 | 6307 | 6206 | 563 | E1 | 22.18 | CD0005 |
| 7 1/2 | 5.6 | 3525 | 213HP | VHECP3769T | 8.6 | 75 | 11.2 | 90 | 91.4 | 91 | 79 | 87 | 90 | 6309 | 6206 | 650 | E1 | 22.33 | CD0005 |
| 7 1/2 | 5.6 | 1770 | 213HP | VHECP3770T | 9.5 | 68 | 22.1 | 91.6 | 92.3 | 91.7 | 65 | 76 | 81 | 6309 | 6206 | 563 | E1 | 22.33 | CD0005 |
| 10 | 7.5 | 3500 | 215HP | VHECP3771T | 11.2 | 120 | 15 | 92.7 | 92.9 | 91.7 | 82 | 89 | 92 | 6309 | 6206 | 760 | E1 | 22.33 | CD0005 |
| 10 | 7.5 | 1760 | 215HP | VHECP3774T | 12.5 | 88.5 | 29.8 | 92.9 | 93.1 | 92.4 | 67 | 78 | 82 | 6309 | 6206 | 563 | E1 | 22.33 | CD0005 |
| 15 | 11 | 3525 | 254HP | VHECP2394T | 17.2 | 128 | 22.2 | 90.8 | 91.9 | 91.7 | 78 | 86 | 88 | 6311 | 6208 | 895 | E1 | 25.73 | CD0180 |
| 15 | 11 | 1765 | 254HP | VHECP2333T | 18.5 | 122.9 | 44.6 | 91.9 | 92.6 | 92.4 | 66 | 77 | 82 | 6311 | 6208 | 1180 | E1 | 25.73 | CD0005 |
| 20 | 15 | 3540 | 256HP | VHECP4106T | 23 | 201 | 29.7 | 91.1 | 92.3 | 92.4 | 74 | 84 | 89 | 6311 | 6208 | 895 | E1 | 25.73 | CD0180 |
| 20 | 15 | 1765 | 256HP | VHECP2334T | 24 | 175 | 59 | 92.8 | 93.1 | 93 | 69 | 80 | 84 | 6311 | 6208 | 1180 | E1 | 25.73 | CD0005 |
| 25 | 19 | 3530 | 284HP | VHECP4107T | 28 | 236 | 37.2 | 93 | 93.5 | 93 | 82 | 89 | 91 | 6311 | 6208 | 895 | E1 | 25.72 | CD0180 |
| 25 | 19 | 1770 | 284HP | VHECP4103T | 30 | 186 | 74.2 | 92.3 | 93.5 | 93.6 | 73 | 81 | 85 | 6311 | 6309 | 1180 | E1 | 30.69 | CD0005 |
| 30 | 22 | 3520 | 286HP | VHECP4108T | 33 | 281 | 44.7 | 93.2 | 93.5 | 93 | 83 | 89 | 92 | 6311 | 6208 | 895 | E1 | 25.72 | CD0180 |
| 30 | 22 | 1770 | 286HP | VHECP4104T | 36 | 246 | 89 | 93.8 | 94.4 | 94.1 | 66 | 75 | 83 | 6311 | 6309 | 1180 | E1 | 30.69 | CD0005 |
| 40 | 30 | 3540 | 324HP | VHECP4109T | 45 | 326 | 59.5 | 92.3 | 93.4 | 93.6 | 80 | 87 | 90 | 6312 | 6311 | 760 | E1 | 34.72 | CD0180 |
| 40 | 30 | 1775 | 324HP | VHECP4110T | 46 | 320 | 118 | 93.9 | 94.6 | 94.5 | 73 | 81 | 84 | 6312 | 6311 | 1360 | E1 | 34.72 | CD0180 |
| 50 | 37 | 3540 | 326HP | VHECP4114T | 56 | 403 | 74.1 | 94 | 94.5 | 94.1 | 80 | 87 | 89 | 6312 | 6311 | 760 | E | 34.72 | CD0180 |
| 50 | 37 | 1775 | 326HP | VHECP4115T | 57 | 392 | 149 | 94.4 | 94.9 | 94.5 | 73 | 82 | 85 | 6312 | 6211 | 1360 | E1 | 34.72 | CD0180 |
| 60 | 45 | 3560 | 364HP | VHECP4310T | 65.1 | 398 | 88.5 | 95.3 | 95.5 | 95 | 88 | 91 | 91 | 6313 | 6313 | 1500 | E1 | 35.25 | 416820-2 |
| 60 | 45 | 1780 | 364HP | VHECP4314T | 68 | 430 | 177 | 95.2 | 95.3 | 95 | 79 | 85 | 87 | 6313 | 6313 | 2000 | E1 | 35.25 | 416820-2 |
| 75 | 56 | 3555 | 365HP | VHECP4313T | 80.7 | 494 | 111 | 95.1 | 95.4 | 95 | 91 | 92 | 92 | 6313 | 6313 | 1500 | E1 | 35.25 | 416820-2 |
| 75 | 56 | 1780 | 365HP | VHECP4316T | 85.9 | 542 | 221 | 95.7 | 95.8 | 95.4 | 77 | 84 | 86 | 6313 | 6313 | 2000 | E1 | 35.25 | 416820-2 |

NOTE: Volt Code: E = 208-230/460V, 60Hz; E1 = 230/460V, 60Hz, usable at 208V
See page 85 for Layout drawing. See page 93 for Connection Diagrams.
Efficiencies shown are nominal. Data subject to change without notice. Contact Baldor for certified data.

Shaded ratings are cast iron frames.

HVAC Motors – TEFC with AEGIS Bearing Protection Ring



Designed and manufactured for Heating, ventilation and air conditioning blower and fan motors, pump motors, and other general purpose applications using an adjustable speed drive.

These motors are manufactured with AEGIS® bearing protection ring installed internally. They have regreaseable ball bearings. Motors have dynamically balanced rotors for reduced vibration and quiet operation and are suitable for mounting in any position. All models meet or exceed NEMA Premium® efficiencies and have a Class H insulation system and 1.15 Service Factor. Motors are Inverter Ready, and have a 3-year warranty.



TEFC – Totally Enclosed Fan Cooled Foot Mounted, 230/460 Volts, Three Phase, 1 - 100 Hp

| Hp | kW | RPM | Frame | Catalog No. | Amps @ High V | | F.L. Torque Lb. Ft. | Efficiency % | | | Power Factor % | | | Bearings | | Volt Code | "C" Dim. | Conn. Diag. No. | Notes |
|----------------------|------|------|-------|-------------|---------------|-------|---------------------|--------------|------|------|----------------|------|------|----------|------|-----------|----------|-----------------|-------|
| | | | | | F.L. | L.R. | | 1/2 | 3/4 | F.L. | 1/2 | 3/4 | F.L. | DE | ODE | | | | |
| 230/460 Volts | | | | | | | | | | | | | | | | | | | |
| 1 | 0.75 | 3450 | 56 | EM3545-G | 1.4 | 9 | 1.5 | 67.8 | 73.1 | 77 | 74 | 2 | 87 | 6205 | 6203 | F | 12.23 | CD0005 | - |
| 1 | 0.75 | 1760 | 143T | EM3546T-G | 1.5 | 12.1 | 2.97 | 81.9 | 84.8 | 85.5 | 49 | 62 | 71 | 6205 | 6203 | E | 12.31 | CD0005 | - |
| 1 | 0.75 | 1155 | 145T | EM3556T-G | 1.8 | 10.8 | 4.51 | 79.4 | 82.1 | 82.5 | 43 | 55 | 64 | 6205 | 6203 | E | 13.31 | CD0005 | - |
| 1 1/2 | 1.1 | 3500 | 143T | EM3550T-G | 1.9 | 17.9 | 2.22 | 82.2 | 84.4 | 84 | 67 | 79 | 85 | 6205 | 6203 | E | 12.29 | CD0005 | - |
| 1 1/2 | 1.1 | 1760 | 145T | EM3554T-G | 2.2 | 18.3 | 4.47 | 84.5 | 86.9 | 86.5 | 51 | 65 | 73 | 6205 | 6203 | E | 13.31 | CD0005 | - |
| 1 1/2 | 1.1 | 1165 | 182T | EM3607T-G | 2.4 | 15.8 | 6.86 | 86 | 87.5 | 87.5 | 48 | 59 | 67 | 6206 | 6205 | E | 16.54 | CD0005 | - |
| 2 | 1.5 | 3490 | 145T | EM3555T-G | 2.5 | 25.9 | 2.98 | 83.5 | 85.9 | 85.5 | 75 | 84 | 88 | 6205 | 6203 | E | 13.29 | CD0005 | - |
| 2 | 1.5 | 1755 | 145T | EM3558T-G | 2.9 | 24.3 | 5.95 | 84 | 86.5 | 86.5 | 51 | 64 | 73 | 6205 | 6203 | E | 14.19 | CD0005 | - |
| 2 | 1.5 | 1175 | 184T | EM3614T-G | 3.5 | 27.5 | 8.91 | 85.3 | 88 | 88.5 | 40 | 52 | 60 | 6206 | 6205 | E | 18.04 | CD0005 | - |
| 3 | 2.2 | 3450 | 145T | EM3559T-G | 3.5 | 39.2 | 4.59 | 87.7 | 88.3 | 87.5 | 81 | 88 | 92 | 6205 | 6203 | E | 15.54 | CD0005 | - |
| 3 | 2.2 | 3450 | 182T | EM3610T-G | 3.6 | 33 | 4.5 | 87.9 | 88.2 | 86.5 | 81 | 88 | 92 | 6206 | 6203 | E | 15.17 | CD0005 | - |
| 3 | 2.2 | 1760 | 182T | EM3611T-G | 4.2 | 32 | 8.88 | 87.8 | 89.6 | 89.5 | 55 | 68 | 75 | 6206 | 6205 | E | 16.54 | CD0005 | - |
| 3 | 2.2 | 1160 | 213T | EM3704T-G | 4.6 | 34.4 | 13.4 | 87.7 | 89.4 | 89.5 | 49 | 61 | 68 | 6307 | 6206 | F | 19.01 | CD0005 | - |
| 5 | 3.7 | 3450 | 184T | EM3613T-G | 5.9 | 57.2 | 7.64 | 88.9 | 89.4 | 88.5 | 81 | 88 | 91 | 6206 | 6205 | F | 16.54 | CD0005 | - |
| 5 | 3.7 | 1750 | 184T | EM3615T-G | 6.7 | 49.1 | 14.9 | 89.7 | 90.6 | 89.5 | 60 | 72 | 78 | 6206 | 6205 | E | 18.04 | CD0005 | - |
| 5 | 3.7 | 1160 | 215T | EM3708T-G | 7.3 | 51.6 | 22.7 | 89.8 | 90.3 | 89.5 | 55 | 66 | 72 | 6307 | 6206 | E | 19.76 | CD0005 | - |
| 7 1/2 | 5.6 | 3520 | 213T | EM3709T-G | 9 | 68.4 | 10.9 | 88.8 | 90.5 | 89.5 | 69 | 79 | 84 | 6307 | 6206 | E | 17.89 | CD0005 | - |
| 7 1/2 | 5.6 | 1770 | 213T | EM3710T-G | 9.4 | 71.6 | 22.3 | 91.6 | 92.4 | 91.7 | 62 | 75 | 81 | 6307 | 6206 | E1 | 19.01 | CD0005 | - |
| 7 1/2 | 5.6 | 1180 | 254T | EM2276T-G | 10.7 | 67 | 32.4 | 89.3 | 90.7 | 91 | 53 | 64 | 70 | 6309 | 6208 | E1 | 23.16 | CD0005 | - |
| 10 | 7.5 | 3490 | 215T | EM3711T-G | 11.8 | 78.5 | 15 | 91 | 91.3 | 90.2 | 74 | 84 | 87 | 6307 | 6206 | E | 17.89 | CD0005 | - |
| 10 | 7.5 | 1770 | 215T | EM3714T-G | 12 | 100 | 26.6 | 92.4 | 92.3 | 91.7 | 63 | 77 | 84 | 6307 | 6206 | E | 20.51 | CD0005 | - |
| 10 | 7.5 | 1180 | 256T | EM2332T-G | 14.4 | 95.1 | 44.4 | 89.9 | 91.3 | 91 | 55 | 65 | 71 | 6309 | 6208 | E1 | 23.16 | CD0180 | - |
| 15 | 11 | 3520 | 254T | EM2394T-G | 17.5 | 110 | 22.1 | 91 | 91.6 | 91 | 77 | 85 | 87 | 6309 | 6208 | E1 | 23.16 | CD0180 | - |
| 15 | 11 | 1765 | 254T | EM2333T-G | 18.5 | 122.9 | 44.6 | 91.9 | 92.6 | 92.4 | 66 | 77 | 82 | 6309 | 6208 | E1 | 23.16 | CD0005 | - |
| 15 | 11 | 1175 | 284T | EM4100T-G | 21 | 125 | 66.5 | 90.6 | 91.8 | 91.7 | 54 | 66 | 73 | 6311 | 6309 | E1 | 27.76 | CD0180 | - |
| 20 | 15 | 3520 | 256T | EM4106T-G | 23 | 161 | 29.6 | 92.2 | 92.4 | 91 | 78 | 86 | 89 | 6309 | 6208 | E1 | 23.16 | CD0005 | - |
| 20 | 15 | 1765 | 256T | EM2334T-G | 24 | 175 | 59 | 92.8 | 93.1 | 93 | 69 | 80 | 84 | 6309 | 6208 | E1 | 23.16 | CD0005 | - |
| 20 | 15 | 1180 | 286T | EM4102T-G | 27 | 165 | 89.4 | 91.1 | 91.9 | 91.7 | 60 | 71 | 77 | 6311 | 6309 | E | 27.76 | CD0180 | - |
| 25 | 19 | 3525 | 284TS | EM4107T-G | 29 | 249 | 37 | 89.2 | 91.2 | 91.7 | 75 | 83 | 90 | 6311 | 6208 | F | 24.7 | CD0005 | - |
| 25 | 19 | 1770 | 284T | EM4103T-G | 30 | 187.6 | 74.2 | 92.4 | 93.6 | 93.6 | 72 | 81 | 84 | 6311 | 6309 | E1 | 27.76 | CD0005 | - |
| 25 | 19 | 1180 | 324T | EM4111T-G | 32 | 220 | 112 | 92.6 | 93.3 | 93 | 63 | 73 | 79 | 6312 | 6309 | E1 | 30.39 | CD0180 | - |
| 30 | 22 | 3520 | 286TS | EM4108T-G | 34 | 288 | 44.5 | 90.8 | 91.9 | 91.7 | 81 | 87 | 90 | 6311 | 6208 | F | 24.7 | CD0180 | - |
| 30 | 22 | 1760 | 286T | EM4104T-G | 38 | 270 | 88.7 | 92.3 | 93.5 | 93.6 | 63 | 73 | 80 | 6311 | 6309 | F | 27.76 | CD0180 | - |
| 30 | 22 | 1180 | 326T | EM4117T-G | 39 | 243 | 133 | 92.5 | 93.2 | 93 | 62 | 73 | 78 | 6312 | 6311 | E1 | 30.28 | CD0005 | - |
| 40 | 30 | 3530 | 324TS | EM4109T-G | 46 | 305 | 59.2 | 91.6 | 92.6 | 92.4 | 79 | 86 | 88 | 6312 | 6311 | E1 | 28.87 | CD0180 | - |
| 40 | 30 | 1770 | 324T | EM4110T-G | 48 | 349 | 118 | 93.7 | 94.5 | 94.1 | 69 | 79 | 83 | 6312 | 6311 | E1 | 30.28 | CD0180 | - |
| 40 | 30 | 1190 | 364T | EM4308T-G | 49.4 | 290 | 177 | 93.6 | 94.3 | 94.1 | 69 | 77.2 | 80.5 | 6313 | 6313 | F | 33.44 | 416820-2 | - |
| 50 | 37 | 3540 | 326TS | EM4114T-G | 56 | 408 | 74.4 | 93.8 | 94.2 | 93 | 82 | 88 | 90 | 6312 | 6311 | E | 28.87 | CD0180 | - |
| 50 | 37 | 1775 | 326T | EM4115T-G | 58 | 395 | 147 | 94.3 | 94.8 | 94.5 | 74 | 83 | 85 | 6312 | 6311 | F | 30.28 | CD0180 | - |
| 50 | 37 | 1185 | 365T | EM4312T-G | 61.7 | 345 | 221 | 93.9 | 94.4 | 94.1 | 70 | 77.8 | 80.6 | 6313 | 6313 | F | 33.44 | 416820-2 | - |
| 60 | 45 | 3560 | 364TS | EM4310T-G | 66.3 | 398 | 88.5 | 95.3 | 95.5 | 95 | 88.2 | 90.7 | 90.7 | 6313 | 6313 | F | 31.31 | 416820-2 | - |
| 60 | 45 | 1780 | 364T | EM4314T-G | 68 | 430 | 177 | 95.2 | 95.3 | 95 | 78.7 | 85 | 87 | 6313 | 6313 | F | 33.44 | 416820-2 | - |
| 75 | 56 | 3555 | 365TS | EM4313T-G | 81.9 | 494 | 111 | 95.1 | 95.4 | 95 | 90.8 | 92.1 | 91.5 | 6313 | 6313 | F | 31.31 | 416820-2 | - |
| 75 | 56 | 1780 | 365T | EM4316T-G | 85.9 | 542 | 221 | 95.7 | 95.8 | 95.4 | 77 | 83.5 | 85.6 | 6313 | 6313 | F | 33.44 | 416820-2 | - |
| 100 | 75 | 1785 | 405T | EM4400T-G | 112 | 725 | 295 | 95.4 | 95.7 | 95.4 | 82.5 | 86.7 | 87.4 | 6316 | 6316 | F | 38.31 | 416820-2 | - |

NOTE: Volt Code: E = 208-230/460V, 60Hz; E1 = 230/460V, 60Hz, usable at 208V; F = 230/460V
Contact Baldor for Layout Drawings. See pages 93 for Connection Diagrams.

Shaded ratings are cast iron frames.

Efficiencies shown are nominal. Data subject to change without notice. Contact Baldor for certified data.

HVAC Motors – TEFC with AEGIS Bearing Protection Ring



Designed and manufactured for Heating, ventilation and air conditioning blower and fan motors, pump motors, and other general purpose applications using an adjustable speed drive.

These motors are manufactured with AEGIS® bearing protection ring installed internally. They have regreaseable ball bearings. Motors have dynamically balanced rotors for reduced vibration and quiet operation and are suitable for mounting in any position. All models meet or exceed NEMA Premium® efficiencies and have a Class H insulation system and 1.15 Service Factor. Motors are Inverter Ready, and have a 3-year warranty.



TEFC – Totally Enclosed Fan Cooled Foot Mounted, 575 Volts, Three Phase, 1 - 50 Hp

| Hp | kW | RPM | Frame | Catalog No. | Amps @ High V | | F.L. Torque Lb. Ft. | Efficiency % | | | Power Factor % | | | Bearings | | Voltage | “C” Dim. | Conn. Diag. No. | Notes |
|------------------|------|------|-------|-------------------|---------------|------|---------------------|--------------|------|------|----------------|-----|------|----------|------|---------|----------|-----------------|-------|
| | | | | | F.L. | L.R. | | 1/2 | 3/4 | F.L. | 1/2 | 3/4 | F.L. | DE | ODE | | | | |
| 575 Volts | | | | | | | | | | | | | | | | | | | |
| 1 | 0.75 | 1760 | 143T | EM3546T-5G | 1.2 | 9.66 | 2.97 | 81.9 | 84.8 | 85.5 | 49 | 62 | 71 | 6205 | 6203 | 575 | 12.31 | CD0006 | - |
| 1 1/2 | 1.1 | 1760 | 145T | EM3554T-5G | 1.8 | 14.6 | 4.47 | 84.5 | 87 | 86.5 | 51 | 65 | 73 | 6205 | 6203 | 575 | 13.31 | CD0006 | - |
| 2 | 1.5 | 1755 | 145T | EM3558T-5G | 2.4 | 19.6 | 5.95 | 83.8 | 86.4 | 86.5 | 50 | 64 | 73 | 6205 | 6203 | 575 | 14.19 | CD0006 | - |
| 3 | 2.2 | 1760 | 182T | EM3611T-5G | 3.3 | 25.9 | 8.88 | 87.7 | 89.5 | 89.5 | 54 | 67 | 75 | 6206 | 6205 | 575 | 16.54 | CD0006 | - |
| 5 | 3.7 | 1750 | 184T | EM3615T-5G | 5.3 | 39.3 | 14.9 | 89.6 | 90.5 | 89.5 | 60 | 72 | 78 | 6206 | 6205 | 575 | 18.04 | CD0006 | - |
| 7 1/2 | 5.6 | 1770 | 213T | EM3710T-5G | 7.6 | 58.5 | 22.2 | 91.1 | 92.3 | 91.7 | 61 | 74 | 81 | 6307 | 6206 | 575 | 19.01 | CD0006 | 35 |
| 10 | 7.5 | 1770 | 215T | EM3714T-5G | 9.6 | 83.9 | 29.5 | 92 | 92.7 | 91.7 | 65 | 78 | 85 | 6307 | 6206 | 575 | 20.51 | CD0006 | 35 |
| 15 | 11 | 1765 | 254T | EM2333T-5G | 14.8 | 99 | 44.5 | 91.3 | 92.5 | 92.4 | 67 | 78 | 82 | 6309 | 6208 | 575 | 23.16 | CD0006 | - |
| 20 | 15 | 1765 | 256T | EM2334T-5G | 19.2 | 140 | 59 | 92.8 | 93.1 | 93 | 69 | 80 | 84 | 6309 | 6208 | 575 | 23.16 | CD0006 | - |
| 25 | 19 | 1770 | 284T | EM4103T-5G | 23.9 | 153 | 74.1 | 92.4 | 93.5 | 93.6 | 71 | 80 | 84 | 6311 | 6309 | 575 | 27.76 | CD0006 | - |
| 30 | 22 | 1770 | 286T | EM4104T-5G | 29 | 177 | 89.2 | 93.9 | 94.4 | 93.6 | 69 | 77 | 83 | 6311 | 6309 | 575 | 27.76 | CD0006 | - |
| 40 | 30 | 1775 | 324T | EM4110T-5G | 39 | 267 | 118 | 93.6 | 94.3 | 94.1 | 67 | 77 | 82 | 6312 | 6311 | 575 | 30.28 | CD0006 | - |
| 50 | 37 | 1775 | 326T | EM4115T-5G | 46 | 330 | 147 | 95.4 | 95 | 94.5 | 72 | 82 | 85 | 6312 | 6311 | 575 | 30.28 | CD0006 | 35 |

NOTE: 35 = Design A motor

Contact Baldor for Layout Drawings. See pages 93 for Connection Diagrams.

Efficiencies shown are nominal. Data subject to change without notice. Contact Baldor for certified data.

Shaded ratings are cast iron frames.

HVAC Motors – ODP with AEGIS Bearing Protection Ring



ODP – Open Drip Proof Foot Mounted, 230/460 and 460 Volts, Three Phase, 1 - 100 Hp

| Hp | kW | RPM | Frame | Catalog No. | Amps @ High V | | Full Load Torque Lb. Ft. | Efficiency % | | | Power Factor % | | | Bearings | | Volt Code | "C" Dim. | Conn. Diag. No. |
|-------|------|------|-------|-------------|---------------|--------------|--------------------------|--------------|------|-----------|----------------|-----|-----------|----------|------|-----------|----------|-----------------|
| | | | | | Full Load | Locked Rotor | | 1/2 | 3/4 | Full Load | 1/2 | 3/4 | Full Load | DE | ODE | | | |
| 1 | 0.75 | 1800 | 143T | EHM3116T | 1.4 | 10.8 | 3.0 | 83.3 | 85.6 | 85.5 | 57 | 70 | 78 | 6205 | 6203 | E | 11.12 | CD0005 |
| 1 1/2 | 1.1 | 1800 | 145T | EHM3154T | 2.1 | 16.7 | 4.5 | 85.4 | 87.1 | 88.5 | 56 | 69 | 76 | 6205 | 6203 | E | 12.13 | CD0005 |
| 2 | 1.5 | 1800 | 145T | EHM3157T | 2.7 | 22.9 | 6.0 | 85.6 | 86 | 86.5 | 57 | 69 | 82 | 6205 | 6203 | E | 13 | CD0005 |
| 3 | 2.2 | 1800 | 182T | EHM3211T | 4.0 | 32 | 9.0 | 89.4 | 90.4 | 90.2 | 54 | 65 | 77 | 6206 | 6205 | E | 15 | CD0005 |
| 5 | 3.7 | 1800 | 184T | EHM3218T | 6.6 | 47.7 | 15 | 90.3 | 90.8 | 90.2 | 62 | 73 | 79 | 6206 | 6205 | E | 16.5 | CD0005 |
| 7 1/2 | 5.6 | 1800 | 213T | EHM3311T | 9.6 | 67.5 | 22.2 | 91 | 92.2 | 91.7 | 61 | 74 | 79 | 6307 | 6206 | E | 16.32 | CD0005 |
| 10 | 7.5 | 1800 | 215T | EHM3313T | 12.5 | 93.5 | 29.7 | 91 | 91.7 | 91.7 | 59 | 71 | 82 | 6307 | 6206 | E | 17.45 | CD0005 |
| 15 | 11.2 | 1800 | 254T | EHM2523T | 17.7 | 211 | 44.8 | 93.7 | 93.7 | 93 | 82 | 86 | 86 | 6309 | 6208 | E | 21.69 | CD0180 |
| 20 | 15 | 1800 | 256T | EHM2515T | 23.5 | 160.8 | 59.4 | 92.5 | 93.2 | 93 | 71 | 81 | 86 | 6309 | 6208 | E1 | 21.69 | CD0180 |
| 25 | 18.7 | 1800 | 284T | EHM2531T | 30 | 190 | 74.1 | 93.4 | 94.2 | 94.1 | 69 | 79 | 83 | 6311 | 6309 | E1 | 23.81 | CD0005 |
| 30 | 22.4 | 1800 | 286T | EHM2535T | 35 | 223.6 | 88.9 | 93.6 | 94.2 | 94.1 | 72 | 82 | 85 | 6311 | 6309 | E1 | 25.06 | CD0005 |
| 40 | 30 | 1800 | 324T | EHM2539T | 46 | 302 | 118 | 94.2 | 94.8 | 94.5 | 69 | 79 | 86 | 6312 | 6311 | E1 | 26.69 | CD0005 |
| 50 | 37 | 1800 | 324T | EHM2543T | 57 | 378 | 148 | 94.5 | 94.9 | 94.5 | 75 | 84 | 87 | 6312 | 6311 | E1 | 27.69 | CD0180 |
| 60 | 45 | 1800 | 364T | EHM2547T | 68 | 464 | 177 | 94.9 | 95.3 | 95 | 77 | 85 | 88 | 6313 | 6311 | E1 | 29.94 | CD0005 |
| 75 | 56 | 1800 | 365T | EHM2551T | 85 | 512 | 222 | 95.5 | 95.7 | 95 | 78 | 84 | 87 | 6313 | 6312 | E1 | 33.72 | CD0180 |
| 100 | 75 | 1800 | 404T | EHM2555T | 113 | 742 | 295 | 94 | 94.4 | 95.4 | 72 | 81 | 85 | 6316 | 6312 | E1 | 36.97 | CD0180 |
| 1 | 0.75 | 1800 | 143T | EHFM3116T | 1.4 | 10.8 | 3.0 | 83.3 | 85.6 | 85.5 | 57 | 70 | 78 | 6205 | 6203 | E | 11.12 | CD0005 |
| 1 1/2 | 1.1 | 1800 | 145T | EHFM3154T | 2.1 | 16.7 | 4.5 | 85.4 | 87.1 | 88.5 | 56 | 69 | 76 | 6205 | 6203 | E | 12.13 | CD0005 |
| 2 | 1.5 | 1800 | 145T | EHFM3157T | 2.7 | 22.9 | 6.0 | 85.6 | 86 | 86.5 | 57 | 69 | 82 | 6205 | 6203 | E | 13 | CD0005 |
| 3 | 2.2 | 1800 | 182T | EHFM3211T | 4.0 | 32 | 9.0 | 89.4 | 90.4 | 90.2 | 54 | 65 | 77 | 6206 | 6205 | E | 15 | CD0005 |
| 5 | 3.7 | 1800 | 184T | EHFM3218T | 6.6 | 47.7 | 15 | 90.3 | 90.8 | 90.2 | 62 | 73 | 79 | 6206 | 6205 | E | 16.5 | CD0005 |
| 7 1/2 | 5.6 | 1800 | 213T | EHFM3311T | 9.6 | 67.5 | 22.2 | 91 | 92.2 | 91.7 | 61 | 74 | 79 | 6307 | 6206 | E | 16.32 | CD0005 |
| 10 | 7.5 | 1800 | 215T | EHFM3313T | 12.5 | 93.5 | 29.7 | 91 | 91.7 | 91.7 | 59 | 71 | 82 | 6307 | 6206 | E | 17.45 | CD0005 |
| 15 | 11.2 | 1800 | 254T | EHFM2523T | 17.7 | 211 | 44.8 | 93.7 | 93.7 | 93 | 82 | 86 | 86 | 6309 | 6208 | E | 21.69 | CD0180 |
| 20 | 15 | 1800 | 256T | EHFM2515T | 23.5 | 160.8 | 59.4 | 92.5 | 93.2 | 93 | 71 | 81 | 86 | 6309 | 6208 | E1 | 21.69 | CD0180 |
| 25 | 18.7 | 1800 | 284T | EHFM2531T | 30 | 190 | 74.1 | 93.4 | 94.2 | 94.1 | 69 | 79 | 83 | 6311 | 6309 | E1 | 23.81 | CD0005 |
| 30 | 22.4 | 1800 | 286T | EHFM2535T | 35 | 223.6 | 88.9 | 93.6 | 94.2 | 94.1 | 72 | 82 | 85 | 6311 | 6309 | E1 | 25.06 | CD0005 |
| 40 | 30 | 1800 | 324T | EHFM2539T | 46 | 302 | 118 | 94.2 | 94.8 | 94.5 | 69 | 79 | 86 | 6312 | 6311 | E1 | 26.69 | CD0005 |
| 50 | 37 | 1800 | 324T | EHFM2543T | 57 | 378 | 148 | 94.5 | 94.9 | 94.5 | 75 | 84 | 87 | 6312 | 6311 | E1 | 27.69 | CD0180 |
| 60 | 45 | 1800 | 364T | EHFM2547T | 68 | 464 | 177 | 94.9 | 95.3 | 95 | 77 | 85 | 88 | 6313 | 6311 | E1 | 29.94 | CD0005 |
| 75 | 56 | 1800 | 365T | EHFM2551T | 85 | 512 | 222 | 95.5 | 95.7 | 95 | 78 | 84 | 87 | 6313 | 6312 | E1 | 33.72 | CD0180 |
| 100 | 75 | 1800 | 404T | EHFM2555T | 113 | 742 | 295 | 94 | 94.4 | 95.4 | 72 | 81 | 85 | 6316 | 6312 | E1 | 36.97 | CD0180 |

NOTE: Volt Code: E = 208-230/460V, 60Hz; E1 = 230/460V, 60Hz, usable at 208V; F = 230/460V, 60Hz, G=460V, 60Hz
Contact Baldor for Layout Drawings. See pages 93 for Connection Diagrams.
Efficiencies shown are nominal. Data subject to change without notice. Contact Baldor for certified data.

HVAC Motors – TEFC



These motors are used in Heating, ventilation and air conditioning blower and fan motors in applications suitable for an enclosed motor design. Designed and manufactured with heavy-gauge steel frame construction, ball bearings, grease passages have plugs. Dynamically balanced rotors provide reduced vibration and quiet operation. They are suitable for mounting in any position and includes lifting provisions on all frame sizes. A bar-coded spec number label is included for convenience. All models meet NEMA Premium® efficiencies and have Class F insulation with a 1.15 service factor. Motors are Inverter Ready and have a 3-year warranty.



TEFC – Totally Enclosed Fan Cooled Foot Mounted, Three Phase, 1 - 100 Hp

| Hp | kW | RPM | Frame | Catalog No. | Amps @ High V | | F.L. Torque Lb. Ft. | Efficiency % | | | Power Factor % | | | Bearings | | Volt Code | "C" Dim. | Conn. Diag. No. |
|----------------------|------|------|-------|--------------------|---------------|-------|---------------------|--------------|------|------|----------------|-----|------|----------|------|-----------|----------|-----------------|
| | | | | | F.L. | L.R. | | 1/2 | 3/4 | F.L. | 1/2 | 3/4 | F.L. | DE | ODE | | | |
| 230/460 Volts | | | | | | | | | | | | | | | | | | |
| 1 | 0.75 | 1760 | 143T | EHM3546T | 1.5 | 12.1 | 2.97 | 82.1 | 84.8 | 85.5 | 49 | 62 | 71 | 6205 | 6203 | E | 12.31 | CD0005 |
| 1 1/2 | 1.1 | 1760 | 145T | EHM3554T | 2.2 | 18.3 | 4.47 | 84.5 | 86.8 | 86.5 | 51 | 65 | 73 | 6205 | 6203 | E | 13.29 | CD0005 |
| 2 | 1.5 | 1750 | 145T | EHM3558T | 2.9 | 23.7 | 6.01 | 85.4 | 86.9 | 86.5 | 53 | 67 | 75 | 6205 | 6203 | E | 13.29 | CD0005 |
| 3 | 2.2 | 1760 | 182T | EHM3611T | 4.2 | 32 | 8.88 | 87.8 | 89.5 | 89.5 | 54 | 68 | 75 | 6206 | 6205 | E | 16.54 | CD0005 |
| 5 | 3.7 | 1750 | 184T | EHM3615T | 6.7 | 49.1 | 14.9 | 89.7 | 90.3 | 89.5 | 60 | 72 | 78 | 6206 | 6205 | E | 18.04 | CD0005 |
| 7 1/2 | 5.6 | 1770 | 213T | EHM3710T | 9.4 | 71.6 | 22.2 | 91.8 | 92.4 | 91.7 | 62 | 75 | 81 | 6307 | 6206 | E | 19.03 | CD0005 |
| 10 | 7.5 | 1770 | 215T | EHM3714T | 12 | 103 | 29.5 | 92.1 | 92.4 | 91.7 | 66 | 79 | 85 | 6307 | 6206 | E | 20.53 | CD0005 |
| 15 | 11 | 1765 | 254T | EHM2333T | 18.5 | 122.9 | 44.6 | 91.9 | 92.6 | 92.4 | 66 | 77 | 82 | 6309 | 6208 | E | 23.16 | CD0005 |
| 20 | 15 | 1765 | 256T | EHM2334T | 24 | 175 | 59 | 92.8 | 93.1 | 93 | 69 | 80 | 84 | 6309 | 6208 | E | 23.16 | CD0005 |
| 25 | 19 | 1780 | 284T | EHM4103T | 30 | 188 | 74 | 93.4 | 93.9 | 93.6 | 68 | 78 | 83 | 6311 | 6309 | E | 27.76 | CD0005 |
| 30 | 22 | 1770 | 286T | EHM4104T | 38 | 274 | 88.9 | 93.4 | 94.2 | 93.6 | 60 | 70 | 79 | 6311 | 6309 | E | 27.76 | CD0005 |
| 40 | 30 | 1775 | 324T | EHM4110T | 48 | 370 | 118 | 93.7 | 94.6 | 94.1 | 66 | 76 | 82 | 6312 | 6311 | E | 30.28 | CD0180 |
| 50 | 37 | 1775 | 326T | EHM4115T | 57 | 392 | 149 | 94.4 | 94.9 | 94.5 | 73 | 82 | 85 | 6312 | 6311 | E1 | 30.28 | CD0180 |
| 575 Volt | | | | | | | | | | | | | | | | | | |
| 1 | 0.75 | 1760 | 143T | EHM3546T-5 | 1.2 | 9.66 | 2.97 | 81.9 | 84.8 | 85.5 | 49 | 62 | 71 | 6205 | 6203 | 575 | 12.31 | CD0006 |
| 1 1/2 | 1.1 | 1760 | 145T | EHM3554T-5 | 1.8 | 14.6 | 4.47 | 84.5 | 87 | 86.5 | 51 | 65 | 74 | 6205 | 6203 | 575 | 13.29 | CD0006 |
| 2 | 1.5 | 1755 | 145T | EHM3558T-5 | 2.4 | 19.6 | 5.95 | 83.8 | 86.4 | 86.5 | 50 | 64 | 73 | 6205 | 6203 | 575 | 14.19 | CD0006 |
| 3 | 2.2 | 1760 | 182T | EHM3611T-5 | 3.3 | 25.9 | 8.88 | 87.7 | 89.5 | 89.5 | 54 | 67 | 75 | 6206 | 6205 | 575 | 16.54 | CD0006 |
| 5 | 3.7 | 1750 | 184T | EHM3615T-5 | 5.3 | 39.3 | 14.9 | 89.6 | 90.5 | 89.5 | 60 | 72 | 78 | 6206 | 6205 | 575 | 18.04 | CD0006 |
| 7 1/2 | 5.6 | 1770 | 213T | EHM3710T-5 | 7.6 | 58.5 | 22.2 | 91.1 | 92.3 | 91.7 | 61 | 74 | 81 | 6307 | 6206 | 575 | 19.03 | CD0006 |
| 10 | 7.5 | 1770 | 215T | EHM3714T-5 | 9.6 | 83.9 | 29.5 | 92 | 92.7 | 91.7 | 65 | 78 | 85 | 6307 | 6206 | 575 | 20.53 | CD0006 |
| 15 | 11 | 1765 | 254T | EHM2333T-5 | 14.8 | 99 | 44.5 | 91.3 | 92.5 | 92.4 | 67 | 78 | 82 | 6309 | 6208 | 575 | 23.16 | CD0006 |
| 20 | 15 | 1765 | 256T | EHM2334T-5 | 19.2 | 140 | 59 | 92.8 | 93.1 | 93 | 69 | 80 | 84 | 6309 | 6208 | 575 | 23.16 | CD0006 |
| 25 | 19 | 1770 | 284T | EHM4103T-5 | 23.9 | 153 | 74.1 | 92.4 | 93.5 | 93.6 | 71 | 80 | 84 | 6311 | 6309 | 575 | 27.76 | CD0006 |
| 30 | 22 | 1770 | 286T | EHM4104T-5 | 29 | 177 | 89.2 | 93.9 | 94.4 | 93.6 | 69 | 77 | 84 | 6311 | 6309 | 575 | 27.76 | CD0006 |
| 40 | 30 | 1775 | 324T | EHM4110T-5 | 39 | 267 | 118 | 93.6 | 94.3 | 94.1 | 67 | 77 | 82 | 6312 | 6311 | 575 | 30.28 | CD0006 |
| 50 | 37 | 1775 | 326T | EHM4115T-5 | 45.6 | 318 | 149 | 94.4 | 94.9 | 94.5 | 81 | 80 | 88 | 6312 | 6311 | 575 | 30.28 | CD0006 |
| 200 Volt | | | | | | | | | | | | | | | | | | |
| 15 | 11 | 1765 | 254T | EHFM2523T-8 | 40.7 | 40.7 | 44.6 | 93.3 | 93.5 | 93 | 70 | 81 | 86 | 6309 | 6208 | 200 | 21.69 | CD0695 |

NOTE: Volt Code: E = 208-230/460V, 60Hz; E1 = 230/460V, 60Hz, usable at 208V

Contact Baldor for Layout Drawings. See pages 93 for Connection Diagrams.

Efficiencies shown are nominal. Data subject to change without notice. Contact Baldor for certified data.

Shaded ratings are cast iron frames.

HVAC Motors – ODP



These motors are used in Heating, ventilation and air conditioning blower and fan motors in applications suitable for an open motor design. Designed with heavy-gauge steel frame construction, ball bearings, grease passages have plugs. The motors are dynamically balanced rotors for reduced vibration and quiet operation. They are suitable for mounting in any position and include lifting provisions on all frame sizes. A bar-coded spec number label is included for convenience. All models meet NEMA Premium® efficiencies and have Class F insulation with 1.15 service factor that operates within class “B” temperature limits at rated horsepower. Motors are Inverter Ready and have a 3-year warranty.



ODP – Open Drip Proof – Foot Mounted, Three Phase, 1 - 100 Hp

| Hp | kW | RPM | Frame | Catalog No. | Amps @ High V | | F.L. Torque Lb. Ft. | Efficiency % | | | Power Factor % | | | Bearings | | Volt Code | “C” Dim. | Conn. Diag. No. |
|-------------------------------|------|------|-------|-------------------|---------------|-------|---------------------|--------------|------|------|----------------|-----|------|----------|------|-----------|----------|-----------------|
| | | | | | F.L. | L.R. | | 1/2 | 3/4 | F.L. | 1/2 | 3/4 | F.L. | DE | ODE | | | |
| F1 Mount, 230/460 Volt | | | | | | | | | | | | | | | | | | |
| 1 | 0.75 | 1760 | 143T | EHM3116T | 1.5 | 12.1 | 3 | 82.1 | 84.8 | 85.5 | 49 | 62 | 71 | 6205 | 6203 | E | 11.12 | CD0005 |
| 1 1/2 | 1.1 | 1755 | 145T | EHM3154T | 2.2 | 17.5 | 4.5 | 83.5 | 86 | 86.5 | 50 | 63 | 72 | 6205 | 6203 | E1 | 11.62 | CD0005 |
| 2 | 1.5 | 1750 | 145T | EHM3157T | 2.9 | 24.3 | 6 | 84.4 | 86.6 | 86.5 | 51 | 64 | 73 | 6205 | 6203 | E1 | 12.13 | CD0005 |
| 3 | 2.2 | 1765 | 182T | EHM3211T | 4.2 | 32.3 | 8.9 | 87.5 | 89.5 | 89.5 | 53 | 66 | 73 | 6206 | 6205 | E1 | 15 | CD0005 |
| 5 | 3.7 | 1750 | 184T | EHM3218T | 6.6 | 44.8 | 15 | 89.7 | 90.2 | 89.5 | 64 | 75 | 80 | 6206 | 6205 | E | 16.5 | CD0005 |
| 5 | 3.7 | 1750 | 184T | EHM3218TA | 6.6 | 44.8 | 15 | 89.8 | 90.2 | 89.5 | 63 | 75 | 80 | 6206 | 6205 | E | 16.5 | CD0007 |
| 7 1/2 | 5.6 | 1770 | 213T | EHM3311T | 9.7 | 68.2 | 22.1 | 90.5 | 91.4 | 91 | 62 | 73 | 79 | 6307 | 6206 | E | 16.32 | CD0005 |
| 10 | 7.5 | 1770 | 215T | EHM3313T | 12.5 | 88.3 | 29.7 | 91.6 | 92.3 | 91.7 | 66 | 77 | 82 | 6307 | 6206 | E | 17.45 | CD0005 |
| 15 | 11 | 1765 | 254T | EHM2523T | 17.7 | 211 | 44.8 | 93.7 | 93.7 | 93 | 82 | 88 | 90 | 6309 | 6208 | E | 21.69 | CD0180 |
| 20 | 15 | 1765 | 256T | EHM2515T | 23.5 | 160.8 | 59.4 | 92.5 | 93.2 | 93 | 71 | 81 | 86 | 6309 | 6208 | E1 | 21.69 | CD0180 |
| 25 | 19 | 1760 | 284T | EHM2531T | 29 | 180 | 74 | 93.2 | 93.9 | 93.6 | 72 | 82 | 86 | 6311 | 6309 | E1 | 23.81 | CD0180 |
| 30 | 22 | 1770 | 286T | EHM2535T | 35 | 223.6 | 88.9 | 93.6 | 94.2 | 94.1 | 72 | 82 | 85 | 6311 | 6309 | E1 | 25.06 | CD0005 |
| 40 | 30 | 1775 | 324T | EHM2539T | 46 | 302 | 118 | 94.2 | 94.8 | 94.1 | 69 | 79 | 85 | 6312 | 6311 | E1 | 26.69 | CD0005 |
| 50 | 37 | 1775 | 326T | EHM2543T | 57 | 378 | 148 | 94.5 | 94.9 | 94.5 | 75 | 84 | 87 | 6312 | 6311 | E1 | 27.69 | CD0180 |
| 60 | 45 | 1775 | 364T | EHM2547T | 68 | 464 | 177 | 94.9 | 95.3 | 95 | 77 | 85 | 88 | 6313 | 6311 | E | 29.94 | CD0005 |
| 75 | 56 | 1775 | 365T | EHM2551T | 87 | 512 | 222 | 95.5 | 95.7 | 95 | 78 | 84 | 87 | 6313 | 6312 | F | 33.72 | CD0180 |
| 100 | 75 | 1780 | 404T | EHM2555T | 113 | 725 | 295 | 95.4 | 95.8 | 95.4 | 72 | 81 | 87 | 6316 | 6312 | E | 36.97 | CD0180 |
| F2 Mount, 230/460 Volt | | | | | | | | | | | | | | | | | | |
| 1 | 0.75 | 1760 | 143T | EHFM3116T | 1.5 | 12.1 | 3 | 82.1 | 84.8 | 85.5 | 49 | 62 | 71 | 6205 | 6203 | E | 11.12 | CD0005 |
| 1 1/2 | 1.1 | 1755 | 145T | EHFM3154T | 2.2 | 17.5 | 4.5 | 83.5 | 86 | 86.5 | 50 | 63 | 72 | 6205 | 6203 | E1 | 11.62 | CD0005 |
| 2 | 1.5 | 1725 | 145T | EHFM3157T | 2.7 | 19.6 | 6 | 87.9 | 88.3 | 86.5 | 63 | 74 | 80 | 6205 | 6203 | E | 13 | CD0005 |
| 3 | 2.2 | 1765 | 182T | EHFM3211T | 4.2 | 32.3 | 8.9 | 87.5 | 89.5 | 89.5 | 53 | 66 | 73 | 6206 | 6205 | E1 | 15 | CD0005 |
| 5 | 3.7 | 1750 | 184T | EHFM3218T | 6.6 | 44.8 | 15 | 89.7 | 90.2 | 89.5 | 64 | 75 | 80 | 6206 | 6205 | E | 16.5 | CD0005 |
| 7 1/2 | 5.6 | 1770 | 213T | EHFM3311T | 9.7 | 68.2 | 22.1 | 90.5 | 91.4 | 91 | 62 | 73 | 79 | 6307 | 6206 | E | 16.32 | CD0005 |
| 10 | 7.5 | 1770 | 215T | EHFM3313T | 12.5 | 88.3 | 29.7 | 91.6 | 92.3 | 91.7 | 66 | 77 | 82 | 6307 | 6206 | E | 17.45 | CD0005 |
| 15 | 11 | 1765 | 254T | EHFM2523T | 17.7 | 211 | 44.8 | 93.7 | 93.7 | 93 | 82 | 88 | 90 | 6309 | 6208 | E | 21.69 | CD0180 |
| 20 | 15 | 1765 | 256T | EHFM2515T | 23.5 | 160.8 | 59.4 | 92.5 | 93.2 | 93 | 71 | 81 | 86 | 6309 | 6208 | E1 | 21.69 | CD0180 |
| 25 | 19 | 1760 | 284T | EHFM2531T | 29 | 180 | 74 | 93.2 | 93.9 | 93.6 | 72 | 82 | 86 | 6311 | 6309 | E1 | 23.81 | CD0180 |
| 30 | 22 | 1770 | 286T | EHFM2535T | 35 | 223.6 | 88.9 | 93.6 | 94.2 | 94.1 | 72 | 82 | 85 | 6311 | 6309 | E1 | 25.06 | CD0005 |
| 40 | 30 | 1770 | 324T | EHFM2539T | 49 | 330 | 119 | 94 | 94.5 | 94.1 | 65 | 76 | 82 | 6312 | 6309 | E1 | 27.19 | CD0005 |
| 50 | 37 | 1775 | 326T | EHFM2543T | 57 | 378 | 148 | 94.5 | 94.9 | 94.5 | 75 | 84 | 87 | 6312 | 6311 | E1 | 27.69 | CD0180 |
| 60 | 45 | 1775 | 364T | EHFM2547T | 68 | 470 | 177 | 94.9 | 95.3 | 95 | 77 | 85 | 87 | 6313 | 6311 | E1 | 30.69 | CD0180 |
| 75 | 56 | 1775 | 365T | EHFM2551T | 87 | 512 | 222 | 95.5 | 95.7 | 95 | 78 | 84 | 87 | 6313 | 6312 | F | 33.72 | CD0180 |
| 100 | 75 | 1780 | 404T | EHFM2555T | 113 | 725 | 295 | 95.4 | 95.8 | 95.4 | 72 | 81 | 87 | 6316 | 6312 | E | 36.97 | CD0180 |
| F1 Mount, 200 Volt | | | | | | | | | | | | | | | | | | |
| 1 | 0.75 | 1760 | 143T | EHM3116T-8 | 3.5 | 3.5 | 2.97 | 82.3 | 84.6 | 85.5 | 50 | 62 | 71 | 6205 | 6203 | 200 | 11.12 | CD0006 |
| 1 1/2 | 1.1 | 1755 | 145T | EHM3154T-8 | 5.1 | 5.1 | 4.46 | 83.1 | 85.9 | 86.5 | 51 | 64 | 73 | 6205 | 6203 | 200 | 11.62 | CD0006 |
| 2 | 1.5 | 1750 | 145T | EHM3157T-8 | 6.5 | 6.5 | 6.04 | 84.5 | 86.5 | 86.5 | 56 | 69 | 77 | 6205 | 6203 | 200 | 12.13 | CD0006 |
| 3 | 2.2 | 1765 | 182T | EHM3211T-8 | 9.7 | 9.7 | 8.85 | 87.4 | 89.4 | 89.5 | 53 | 66 | 73 | 6206 | 6205 | 200 | 15 | CD0006 |
| 5 | 3.7 | 1750 | 184T | EHM3218T-8 | 15.3 | 15.3 | 15 | 89.1 | 89.9 | 89.5 | 63 | 74 | 79 | 6206 | 6205 | 200 | 16.5 | CD0006 |
| 7 1/2 | 5.6 | 1770 | 213T | EHM3311T-8 | 22.2 | 22.2 | 22.2 | 90.4 | 91.2 | 91 | 63 | 74 | 80 | 6307 | 6206 | 200 | 16.32 | CD0006 |
| 10 | 7.5 | 1770 | 215T | EHM3313T-8 | 29.5 | 29.5 | 29.7 | 91.7 | 92.2 | 91.7 | 62 | 74 | 80 | 6307 | 6206 | 200 | 17.45 | CD0006 |
| 15 | 11 | 1765 | 254T | EHM2523T-8 | 40.7 | 40.7 | 44.6 | 93.3 | 93.5 | 93 | 70 | 81 | 86 | 6309 | 6208 | 200 | 21.69 | CD0695 |
| 20 | 15 | 1765 | 256T | EHM2515T-8 | 54.3 | 54.3 | 59 | 92.1 | 93 | 93 | 65 | 75 | 85 | 6309 | 6208 | 200 | 21.69 | CD0695 |
| 25 | 19 | 1770 | 284T | EHM2531T-8 | 69.5 | 69.5 | 74.1 | 93.4 | 94.2 | 93.6 | 69 | 79 | 83 | 6311 | 6309 | 200 | 23.81 | CD0695 |
| 30 | 22 | 1770 | 286T | EHM2535T-8 | 81 | 81 | 88.9 | 93.6 | 94.2 | 94.1 | 72 | 82 | 85 | 6311 | 6309 | 200 | 25.06 | CD0006 |
| 40 | 30 | 1775 | 324T | EHM2539T-8 | 108 | 108 | 118 | 93.6 | 92.4 | 94.1 | 76 | 85 | 84 | 6312 | 6311 | 200 | 26.69 | CD0006 |
| 50 | 37 | 1775 | 326T | EHM2543T-8 | 132 | 132 | 148 | 93.4 | 94.2 | 94.5 | 69 | 79 | 87 | 6312 | 6311 | 200 | 27.69 | CD0006 |

NOTE: Volt Code: E = 208-230/460V, 60Hz; E1 = 230/460V, 60Hz, usable at 208V; F = 230/460V, 60Hz
 Contact Baldor for Layout Drawings. See pages 93 for Connection Diagrams.
 Efficiencies shown are nominal. Data subject to change without notice. Contact Baldor for certified data.

HVAC Motors – ODP with Resilient Base



ODP – Open Drip Proof 208-230/460 Volt, Three Phase, 3 - 5 Hp

| Hp | kW | RPM | Frame | Catalog No. | Amps @ High V | | Full Load Torque Lb. Ft. | Efficiency % | | | Power Factor % | | | Bearings | | “C” Dim. | Conn. Diag. No. |
|----|-----|------|-------|-------------|---------------|--------------|--------------------------|--------------|------|-----------|----------------|-----|-----------|----------|------|----------|-----------------|
| | | | | | Full Load | Locked Rotor | | 1/2 | 3/4 | Full Load | 1/2 | 3/4 | Full Load | DE | ODE | | |
| 3 | 2.2 | 3450 | 56HZ | ERM3158TA | 3.8 | 32.5 | 4.5 | 84.3 | 86 | 85.5 | 72 | 82 | 87 | 6205 | 6203 | 13.64 | CD0005 |
| 5 | 3.7 | 3450 | 145TY | ERHM3162TA | 6.1 | 60.4 | 7.65 | 88.5 | 88.4 | 86.5 | 76 | 85 | 89 | 6205 | 6203 | 15.02 | CD0007 |

NOTE: Contact Baldor for Layout Drawings. See pages 93 for Connection Diagrams. Efficiencies shown are nominal. Data subject to change without notice. Contact Baldor for certified data.

Super-E® Chiller/Cooling Tower Motors



Chiller/Cooling Tower motors are for use in the airstream on chillers and cooling towers and are a direct replacement for most OEM applications. Designed for wet, high humidity environments they feature: corrosion resistant epoxy finish; double sealed bearings filled with moisture resistant grease; shaft seal/slinger; moisture resistant copper windings double dipped and baked; stainless steel nameplates and corrosion resistant hardware. “ECTM” model Super-E® motors meet NEMA Premium® efficiency, have Class F insulation with 1.15 service factor and operate within class “B” temperature limits at rated horsepower.



TEAO - Totally Enclosed Air Over Foot Mounted, 230/460 Volts, Three Phase, 5 - 75 Hp

| Hp | kW | RPM | Frame | Catalog No. | Amps @ High V | | Full Load Torque Lb. Ft. | Efficiency % | | | Power Factor % | | | Bearings | | Volt Code | “C” Dim. | Conn. Diag. No. | Airflow Ft/Min |
|-------|-----|------|-------|-------------|---------------|--------------|--------------------------|--------------|------|-----------|----------------|-----|-----------|----------|------|-----------|----------|-----------------|----------------|
| | | | | | Full Load | Locked Rotor | | 1/2 | 3/4 | Full Load | 1/2 | 3/4 | Full Load | DE | ODE | | | | |
| 5 | 3.7 | 1750 | 184T | ECTM3665T | 6.6 | 45.5 | 15 | 89.6 | 89.6 | 89.5 | 62 | 74 | 79 | 6206 | 6205 | E | 13.68 | CD0005 | 1200 |
| 5 | 3.7 | 1160 | 215T | ECTM3768T | 7.3 | 51.9 | 22.8 | 90.1 | 90.8 | 90.2 | 54 | 65 | 72 | 6307 | 6206 | E1 | 19.54 | CD0005 | 1200 |
| 7 1/2 | 5.6 | 1770 | 213T | ECTM3770T | 9.5 | 68 | 22.1 | 91.1 | 91.9 | 91.7 | 65 | 76 | 81 | 6307 | 6206 | E | 19.54 | CD0005 | 1500 |
| 7 1/2 | 5.6 | 1180 | 254T | ECTM2276T | 10.7 | 67 | 32.4 | 89.3 | 90.7 | 91 | 53 | 64 | 70 | 6309 | 6208 | E1 | 20.75 | CD0005 | 1500 |
| 10 | 7.5 | 1760 | 215T | ECTM3774T | 12.2 | 81 | 29.8 | 92.5 | 92.9 | 91.7 | 71 | 80 | 83 | 6307 | 6206 | E | 19.54 | CD0005 | 1500 |
| 10 | 7.5 | 1180 | 256T | ECTM2332T | 14.4 | 95.1 | 44.4 | 89.9 | 91.3 | 91 | 55 | 65 | 71 | 6309 | 6208 | E1 | 20.75 | CD0180 | 1500 |
| 15 | 11 | 1765 | 254T | ECTM2333T | 18.5 | 122.9 | 44.6 | 91.9 | 92.6 | 92.4 | 66 | 77 | 82 | 6309 | 6208 | E1 | 20.75 | CD0005 | 1500 |
| 15 | 11 | 1180 | 284T | ECTM4100T | 20 | 118 | 65.7 | 90.6 | 92 | 91.7 | 58 | 69 | 75 | 6311 | 6309 | F | 25.63 | CD0180 | 1500 |
| 20 | 15 | 1765 | 256T | ECTM2334T | 24 | 175 | 59 | 92.8 | 93.1 | 93 | 69 | 80 | 84 | 6309 | 6208 | E1 | 20.75 | CD0005 | 1500 |
| 20 | 15 | 1180 | 286T | ECTM4102T | 27 | 165 | 89.4 | 91.1 | 91.9 | 91.7 | 60 | 71 | 77 | 6311 | 6309 | E1 | 25.63 | CD0180 | 1500 |
| 25 | 19 | 1770 | 284T | ECTM4103T | 30 | 186 | 74.2 | 92.3 | 93.5 | 93.6 | 73 | 81 | 85 | 6311 | 6309 | E1 | 25.63 | CD0005 | 1500 |
| 25 | 19 | 1180 | 324T | ECTM4111T | 32 | 198 | 111 | 92.8 | 93.5 | 93 | 65 | 75 | 79 | 6312 | 6311 | E1 | 28.38 | CD0180 | 1500 |
| 30 | 22 | 1760 | 286T | ECTM4104T | 38 | 270 | 88.7 | 92.3 | 93.5 | 93.6 | 63 | 73 | 80 | 6311 | 6309 | F | 25.63 | CD0180 | 1500 |
| 30 | 22 | 1180 | 326T | ECTM4117T | 39 | 243 | 133 | 92.5 | 93.2 | 93 | 62 | 73 | 78 | 6312 | 6311 | E1 | 28.38 | CD0005 | 1500 |
| 40 | 30 | 1775 | 324T | ECTM4110T | 48 | 338 | 118 | 93.5 | 94.2 | 94.1 | 69 | 78 | 82 | 6312 | 6311 | E1 | 28.38 | CD0180 | 1500 |
| 40 | 30 | 1190 | 364T | ECTM4308T | 49.4 | 290 | 177 | 93.6 | 94.3 | 94.1 | 69 | 77 | 81 | 6313 | 6313 | E1 | 29.7 | 416820-2 | 2000 |
| 50 | 37 | 1775 | 326T | ECTM4115T | 57 | 392 | 149 | 94.4 | 94.9 | 94.5 | 73 | 82 | 85 | 6312 | 6311 | E1 | 28.38 | CD0180 | 2000 |
| 50 | 37 | 1185 | 365T | ECTM4312T | 61.7 | 345 | 221 | 93.9 | 94.4 | 94.1 | 70 | 78 | 81 | 6313 | 6313 | E1 | 29.7 | 416820-2 | 2000 |
| 60 | 45 | 1780 | 364T | ECTM4314T | 68 | 447 | 177 | 94.7 | 95.2 | 95 | 74 | 82 | 86 | 6313 | 6313 | E1 | 29.7 | 416820-2 | 2000 |
| 60 | 45 | 1185 | 404T | ECTM4403T | 69 | 455 | 265 | 94 | 94.7 | 95 | 69 | 78 | 83 | 6316 | 6316 | F | 34.68 | 416820-2 | 2000 |
| 75 | 56 | 1780 | 365T | ECTM4316T | 85.9 | 649 | 222 | 94.9 | 95.5 | 95.4 | 73 | 81 | 85 | 6313 | 6313 | E1 | 29.7 | 416820-2 | 2000 |

NOTE: Volt Code: E = 208-230/460 Volts, E1 = 230/460 Volts, 60 Hz, usable at 208 Volts. See page 90 for Layout drawing. See pages 93 for Connection Diagrams. Efficiencies shown are nominal. Data subject to change without notice. Contact Baldor for certified data.

Shaded ratings are cast iron frames.

Super-E® Premium Efficient Motors

Single Phase – TEFC

Baldor•Reliance Super-E single phase motors provide energy savings on pump, fan, conveyor, machine tool, gear reducer and other applications where continuous operation is required. Rugged enclosure includes a heavy gauge steel frames and a heavy duty base seam welded to the frame, ball bearings and gasketed conduit box and capacitor cover. The Super-E electrical design is capacitor start/capacitor run and includes low loss electrical grade lamination steel, dynamically balanced rotors, a “Snap Action” starting switch and 1.15 service factor.



TEFC – Totally Enclosed Fan Cooled

Foot Mounted, 115/230 Volts, Single Phase, 1/4 - 5 Hp

| Hp | kW | RPM | Frame | Catalog No. | Amps @ High V | | Full Load Torque Lb. Ft. | Efficiency % | | | Power Factor % | | | Bearings | | Volt Code | “C” Dim. | Conn. Diag. No. | Notes |
|-------|------|------|--------|-------------|---------------|--------------|--------------------------|--------------|------|-----------|----------------|-----|-----------|----------|------|-----------|----------|-----------------|-------|
| | | | | | Full Load | Locked Rotor | | 1/2 | 3/4 | Full Load | 1/2 | 3/4 | Full Load | DE | ODE | | | | |
| 1/4 | 0.18 | 1745 | 48 | EL3403 | 1.25 | 9.1 | 0.75 | 62.6 | 70.8 | 74 | 73 | 79 | 89 | 6203 | 6203 | B | 11.35 | CD0055 | 13 |
| 1/3 | 0.25 | 3450 | 48 | EL3405 | 1.6 | 14.5 | 0.49 | 57.6 | 66.3 | 72 | 88 | 93 | 96 | 6203 | 6203 | A | 11.35 | CD0055 | 13 |
| 1/3 | 0.25 | 1740 | 56 | EL3501 | 1.6 | 11 | 1 | 68.6 | 75.5 | 77 | 80 | 83 | 88 | 6203 | 6203 | B | 11.97 | CD0055 | 13 |
| 1/2 | 0.37 | 3450 | 56 | EL3503 | 2.5 | 20 | 0.75 | 66.6 | 72.5 | 68 | 72 | 83 | 84 | 6203 | 6203 | B | 11.97 | CD0055 | 12 |
| 1/2 | 0.37 | 1745 | 56 | EL3504 | 2.3 | 18.1 | 1.5 | 72.4 | 76.5 | 78.5 | 79 | 87 | 89 | 6203 | 6203 | B | 11.97 | CD0055 | 12 |
| 3/4 | 0.56 | 3450 | 56 | EL3506 | 3.9 | 28.8 | 1.15 | 64.9 | 70.4 | 72 | 72 | 81 | 86 | 6203 | 6203 | B | 11.97 | CD0055 | 12 |
| 3/4 | 0.56 | 1755 | 56 | EL3507 | 3.15 | 30 | 2.25 | 79.8 | 83.8 | 82.5 | 78 | 85 | 90 | 6205 | 6203 | A | 13.25 | CD0055 | 12 |
| 1 | 0.75 | 3450 | 56/56H | EL3509 | 4.7 | 38 | 1.5 | 63.9 | 70.8 | 74 | 91 | 94 | 94 | 6205 | 6203 | A | 12.93 | CD0055 | 12 |
| 1 | 0.75 | 1760 | 56H | EL3510 | 4.25 | 40 | 3 | 77 | 83.2 | 82.5 | 84 | 87 | 91 | 6205 | 6203 | B | 13.81 | CD0055 | 36 |
| 1 1/2 | 1.1 | 1760 | 56H | EL3514 | 6.3 | 51 | 4.5 | 84.4 | 86.2 | 84 | 85 | 92 | 94 | 6205 | 6203 | B | 15.18 | CD0055 | 36 |
| 1 1/2 | 1.1 | 1760 | 145T | EL3514T | 6.3 | 51 | 4.5 | 84.4 | 86.2 | 86.2 | 85 | 92 | 94 | 6205 | 6203 | B | 15.55 | CD0055 | - |
| 2 | 1.5 | 3450 | 145T | EL3515T | 8.3 | 58.5 | 2.99 | 72.7 | 77.8 | 77 | 97 | 98 | 96 | 6205 | 6203 | A | 14.18 | CD0055 | - |
| 2 | 1.5 | 1740 | 182T | EL3605T | 8.8 | 62.4 | 6.1 | 82.1 | 84 | 82.5 | 82 | 87 | 90 | 6206 | 6205 | B | 16.56 | CD0055 | - |
| 3 | 2.2 | 3450 | 182T | EL3606T | 12.4 | 83.7 | 4.71 | 81.2 | 82.8 | 82 | 99 | 99 | 98 | 6206 | 6205 | B | 16.56 | CD0055 | 2 |
| 3 | 2.2 | 1755 | 184T | EL3609T | 11.8 | 85 | 9 | 83.1 | 85.9 | 85.5 | 96 | 97 | 96 | 6206 | 6205 | C | 18.06 | CD0017A02 | - |
| 5 | 3.7 | 3450 | 184T | EL3608T | 19.4 | 145 | 7.52 | 85.4 | 86.6 | 85 | 99 | 99 | 98 | 6206 | 6205 | C | 18.06 | CD0017A02 | 2 |
| 5 | 3.7 | 1735 | 182T | EL3612T | 19.1 | 127 | 15 | 83.6 | 86.8 | 86.5 | 96 | 97 | 97 | 6206 | 6205 | C | 18.06 | CD0017A02 | 2 |

NOTE: Volt Code: A= 115/208-230V, 60Hz; B = 115/230V, 60Hz; C = 230V, 60Hz; D=208-230V, 60Hz
2 = 1.00 Service Factor
12 = 1.25 Service Factor
13 = 1.35 Service Factor
36 = Can mount as NEMA 56, 143T & 145T frames with NEMA 56 frame shaft dimensions.
 See page 92 for Layout drawing. See page 94 for Connection Diagrams.
 Efficiencies shown are nominal. Data subject to change without notice. Contact Baldor for certified data.

Super-E® Premium Efficient Motors

Single Phase – ODP



ODP – Open Drip Proof Foot Mounted, 115/230 Volts, Single Phase, 1/4 - 5 Hp

| Hp | kW | RPM | Frame | Catalog No. | Amps @ High V | | Full Load Torque Lb. Ft. | Efficiency % | | | Power Factor % | | | Bearings | | Volt Code | "C" Dim. | Conn. Diag. No. | Notes |
|-------|------|------|-------|-------------|---------------|--------------|--------------------------|--------------|------|-----------|----------------|-----|-----------|----------|------|-----------|----------|-----------------|-------|
| | | | | | Full Load | Locked Rotor | | 1/2 | 3/4 | Full Load | 1/2 | 3/4 | Full Load | DE | ODE | | | | |
| 1/4 | 0.18 | 1745 | 48 | EL1203 | 1.3 | 9.1 | 0.75 | 62.2 | 69.5 | 74 | 73 | 80 | 89 | 6203 | 6203 | B | 9.76 | CD0055 | 13 |
| 1/3 | 0.25 | 3450 | 48 | EL1205 | 1.6 | 14.5 | 0.49 | 57.6 | 66.3 | 72 | 88 | 93 | 96 | 6203 | 6203 | A | 9.76 | CD0055 | 13 |
| 1/3 | 0.25 | 1740 | 56 | EL1301 | 1.6 | 11 | 1 | 68.6 | 75.5 | 77 | 74 | 82 | 88 | 6203 | 6203 | B | 10.13 | CD0055 | 13 |
| 1/2 | 0.37 | 3450 | 56 | EL1303 | 2.5 | 19.95 | 0.75 | 66.6 | 72.5 | 68 | 72 | 83 | 84 | 6203 | 6203 | B | 10.13 | CD0055 | 12 |
| 1/2 | 0.37 | 1745 | 56 | EL1304 | 2.3 | 18.1 | 1.5 | 73.8 | 77.7 | 78.5 | 82 | 89 | 89 | 6203 | 6203 | B | 11 | CD0055 | 12 |
| 3/4 | 0.56 | 3450 | 56 | EL1306 | 3.9 | 28.75 | 1.15 | 64.9 | 70.4 | 72 | 72 | 81 | 86 | 6203 | 6203 | B | 11 | CD0055 | 12 |
| 3/4 | 0.56 | 1755 | 56 | EL1307 | 3.3 | 33.6 | 2.25 | 80.4 | 83.6 | 84 | 75 | 82 | 90 | 6205 | 6203 | A | 12.06 | CD0055 | 12 |
| 1 | 0.75 | 3450 | 56 | EL1309 | 5.1 | 42.75 | 1.5 | 70.1 | 74.9 | 74 | 65 | 77 | 82 | 6203 | 6203 | A | 11 | CD0055 | 12 |
| 1 | 0.75 | 1755 | 56 | EL1310 | 4.3 | 40.5 | 3 | 80.7 | 83.6 | 84 | 80 | 88 | 91 | 6205 | 6203 | A | 12.94 | CD0055 | - |
| 1 1/2 | 1.1 | 3450 | 56H | EL1313 | 6.2 | 47 | 2.3 | 72.7 | 78.6 | 80 | 100 | 99 | 96 | 6203 | 6203 | A | 12.25 | CD0055 | 36 |
| 1 1/2 | 1.1 | 1755 | 56H | EL1319 | 6.3 | 55 | 4.5 | 84.9 | 86.6 | 85.5 | 67 | 79 | 94 | 6205 | 6203 | A | 14 | CD0055 | 36 |
| 1 1/2 | 1.1 | 1755 | 143T | EL1319T | 6.3 | 55 | 4.5 | 84.9 | 86.6 | 85.5 | 67 | 79 | 94 | 6205 | 6203 | A | 13 | CD0055 | - |
| 2 | 1.5 | 3450 | 56H | EL1317 | 9 | 60 | 3 | 72.9 | 79.7 | 75.5 | 93 | 95 | 93 | 6205 | 6203 | B | 11.75 | CD0055 | - |
| 2 | 1.5 | 1740 | 182T | EL1405T | 8.8 | 62.4 | 6.1 | 81.6 | 83.9 | 82.5 | 85 | 90 | 90 | 6206 | 6205 | B | 15.87 | CD0055 | - |
| 3 | 2.2 | 3450 | 182T | EL1406T | 12.3 | 78 | 4.56 | 77.6 | 81.1 | 81 | 98 | 98 | 98 | 6206 | 6205 | B | 15 | CD0055 | - |
| 3 | 2.2 | 1750 | 184T | EL1408T | 11.2 | 70.2 | 9 | 85 | 88 | 85.5 | 98 | 99 | 98 | 6206 | 6205 | D | 16.5 | CD0017A02 | - |
| 5 | 3.7 | 3450 | 184T | EL1409T | 20 | 114 | 7.39 | 79 | 82 | 81.5 | 98 | 98 | 97 | 6206 | 6205 | C | 15 | CD0017A02 | - |
| 5 | 3.7 | 1735 | 184T | EL1410T | 19.1 | 129 | 15 | 83 | 86.6 | 86.5 | 95 | 96 | 97 | 6206 | 6205 | C | 18 | CD0017A02 | - |

NOTE: Volt Code: A= 115/208-230V, 60Hz; B = 115/230V, 60Hz; C = 230V, 60Hz; D=208-230V, 60Hz

12 = 1.25 Service Factor

13 = 1.35 Service Factor

36 = Can mount as NEMA 56, 143T & 145T frames with NEMA 56 frame shaft dimensions.

See page 92 for Layout drawing. See page 94 for Connection Diagrams.

Efficiencies shown are nominal. Data subject to change without notice. Contact Baldor for certified data.

Super-E® Premium Efficient 200 Volt Motors – TEFC

These motors are typically used on pumps, fans, compressors, blowers, machine tools, conveyors and many other applications requiring 200 volt power. Features include a rugged totally enclosed Steel Band or Cast Iron frame, positively locked drive end bearing on 254T and larger, ball bearings and dynamically balanced rotors. The Super-E® electrical design meets NEMA Premium® efficiency and has a 1.15 Service Factor. 3 year warranty.



TEFC – Totally Enclosed Fan Cooled Foot Mounted, Three Phase, 1 - 50 Hp

| Hp | kW | RPM | Frame | Catalog No. | Amps @ High V | | F.L. Torque Lb. Ft. | Efficiency % | | | Power Factor % | | | Bearings | | "C" Dim. | Conn. Diag. No. | Notes |
|-------|------|------|-------|-------------|---------------|------|---------------------------|--------------|------|------|----------------|-----|------|----------|------|-------------|-----------------------|----------|
| | | | | | F.L. | L.R. | | 1/2 | 3/4 | F.L. | 1/2 | 3/4 | F.L. | DE | ODE | | | |
| 1 | 0.75 | 1760 | 143T | EM3546T-8 | 3.5 | 27.4 | 3 | 82.3 | 84.6 | 85.5 | 50 | 62 | 71 | 6205 | 6203 | 12.31 | CD0006 | 68 |
| 1 1/2 | 1.1 | 1760 | 145T | EM3554T-8 | 5 | 42.2 | 4.5 | 85.1 | 87.5 | 86.5 | 51 | 65 | 74 | 6205 | 6203 | 13.31 | CD0006 | 68 |
| 2 | 1.5 | 1750 | 145T | EM3558T-8 | 6.8 | 55.5 | 6 | 83.9 | 86.4 | 86.5 | 51 | 64 | 73 | 6205 | 6203 | 14.19 | CD0006 | 68 |
| 3 | 2.2 | 3460 | 182T | EM3660T-8 | 8.8 | 72.2 | 4.7 | 85.9 | 87.3 | 86.5 | 75 | 84 | 88 | 6206 | 6205 | 15.24 | CD0006 | 68 |
| 3 | 2.2 | 1755 | 182T | EM3661T-8 | 9.5 | 68.9 | 9 | 88.3 | 89.7 | 89.5 | 58 | 70 | 77 | 6206 | 6205 | 15.24 | CD0006 | 68 |
| 5 | 3.7 | 3475 | 184T | EM3663T-8 | 14.5 | 120 | 7.5 | 87.8 | 89.1 | 88.5 | 63 | 76 | 83 | 6206 | 6205 | 15.24 | CD0006 | 68 |
| 5 | 3.7 | 1750 | 184T | EM3665T-8 | 15.1 | 103 | 15 | 90.5 | 90.3 | 89.5 | 63 | 74 | 80 | 6206 | 6205 | 15.24 | CD0006 | 68 |
| 7 1/2 | 5.6 | 3525 | 213T | EM3769T-8 | 19.8 | 173 | 11.2 | 90 | 91.4 | 91 | 79 | 87 | 90 | 6307 | 6206 | 18.45 | CD0006 | 68 |
| 7 1/2 | 5.6 | 1770 | 213T | EM3770T-8 | 21.4 | 148 | 22.1 | 91.5 | 92.1 | 91.7 | 68 | 78 | 82 | 6307 | 6206 | 18.45 | CD0006 | 68 |
| 10 | 7.5 | 3500 | 215T | EM3771T-8 | 26.8 | 192 | 14.9 | 92.9 | 93.1 | 90.2 | 80 | 89 | 91 | 6307 | 6206 | 18.45 | CD0006 | 68 |
| 10 | 7.5 | 1760 | 215T | EM3774T-8 | 28 | 186 | 29.8 | 92.6 | 93.1 | 91.7 | 71 | 80 | 83 | 6307 | 6206 | 18.45 | CD0006 | 68 |
| 15 | 11 | 3525 | 254T | EM2394T-8 | 40 | 262 | 22.2 | 90.6 | 91.4 | 91 | 79 | 86 | 89 | 6309 | 6208 | 23.16 | CD0006 | 68 |
| 15 | 11 | 1765 | 254T | EM2333T-8 | 42.4 | 282 | 44.6 | 91.9 | 92.6 | 92.4 | 66 | 76 | 82 | 6309 | 6208 | 23.16 | CD0006 | 30,68 |
| 20 | 15 | 3510 | 256T | EM4106T-8 | 52 | 347 | 29.9 | 92.1 | 92.1 | 91 | 80 | 87 | 90 | 6309 | 6208 | 23.16 | CD0006 | 24,69 |
| 20 | 15 | 1765 | 256T | EM2334T-8 | 55.2 | 402 | 59 | 92.8 | 93.1 | 93 | 69 | 80 | 84 | 6309 | 6208 | 23.16 | CD0695 | 24,30,69 |
| 25 | 19 | 3520 | 284TS | EM4107T-8 | 65 | 442 | 37.3 | 92.9 | 92.8 | 91.7 | 81 | 87 | 90 | 6311 | 6208 | 25.7 | CD0006 | 24,69 |
| 25 | 19 | 1770 | 284T | EM4103T-8 | 68.4 | 431 | 74.2 | 92.4 | 93.6 | 93.6 | 72 | 81 | 84 | 6311 | 6309 | 27.76 | CD0695 | 24,69 |
| 30 | 22 | 3520 | 286TS | EM4108T-8 | 76 | 600 | 44.7 | 93.2 | 93 | 91.7 | 80 | 87 | 91 | 6311 | 6208 | 24.7 | CD0695 | 24,69 |
| 30 | 22 | 1770 | 286T | EM4104T-8 | 84 | 560 | 89 | 93.5 | 94.3 | 93.6 | 64 | 73 | 82 | 6311 | 6309 | 27.76 | CD0006 | 24,69 |
| 40 | 30 | 1775 | 324T | EM4110T-8 | 111 | 758 | 118 | 93.6 | 94.4 | 94.1 | 68 | 77 | 82 | 6312 | 6311 | 30.28 | CD0006 | 24,69 |
| 50 | 37 | 1775 | 326T | EM4115T-8 | 131 | 897 | 149 | 94.4 | 94.9 | 94.5 | 71 | 81 | 88 | 6312 | 6311 | 30.28 | CD0695 | 24,69 |

NOTE: 24 = Part Winding Start or DOL

30 = Usable at 208 volts

68 = 3 lead design

69 = 6 lead suitable for part winding start on 200 volts.

See page 93 for Connection Diagrams. See page 68 for dimensions.

Efficiencies shown are nominal. Data subject to change without notice. Contact Baldor for certified data.

Shaded ratings are cast iron frames.



Super-E® Premium Efficient 200 Volt Motors – ODP

These motors are typically used on pumps, fans, compressors, blowers, machine tools, conveyors and many other applications requiring 200 volt power. Features include a rugged Open design Steel Band or Cast Iron frame, positively locked drive end bearing on 254T and larger, ball bearings and dynamically balanced rotors. The Super-E® electrical design meets NEMA Premium® efficiency and has a 1.15 Service Factor. 3 year warranty.



ODP – Open Drip Proof Foot Mounted, Three Phase, 1 - 100 Hp

| Hp | kW | RPM | Frame | Catalog No. | Amps @ High V | | F.L. Torque Lb. Ft. | Efficiency % | | | Power Factor % | | | Bearings | | “C” Dim. | Conn. Diag. No. | Notes | |
|--------------------|------|------|-------|-------------------|---------------|------|---------------------------|--------------|------|------|----------------|-----|------|----------|------|-------------|-----------------------|-------|--|
| | | | | | F.L. | L.R. | | 1/2 | 3/4 | F.L. | 1/2 | 3/4 | F.L. | DE | ODE | | | | |
| F1 Mounting | | | | | | | | | | | | | | | | | | | |
| 1 | 0.75 | 1760 | 143T | EM3116T-8 | 3.5 | 27.4 | 3 | 82.3 | 84.6 | 85.5 | 50 | 62 | 71 | 6205 | 6203 | 11.12 | CD0006 | 68 | |
| 1 1/2 | 1.1 | 1755 | 145T | EM3154T-8 | 5.1 | 39.6 | 4.5 | 83.1 | 85.9 | 86.5 | 51 | 64 | 73 | 6205 | 6203 | 11.62 | CD0006 | 68 | |
| 2 | 1.5 | 1750 | 145T | EM3157T-8 | 6.5 | 49.1 | 6 | 84.5 | 86.5 | 86.5 | 56 | 69 | 77 | 6205 | 6203 | 12.12 | CD0006 | 68 | |
| 3 | 2.2 | 1765 | 182T | EM3211T-8 | 9.7 | 75.1 | 8.9 | 87.4 | 89.4 | 89.5 | 53 | 66 | 73 | 6206 | 6205 | 15 | CD0006 | 68 | |
| 5 | 3.7 | 1750 | 184T | EM3218T-8 | 15.3 | 105 | 15 | 89.1 | 89.9 | 89.5 | 63 | 74 | 79 | 6206 | 6205 | 16.5 | CD0006 | 68 | |
| 7 1/2 | 5.6 | 1770 | 213T | EM3311T-8 | 22.2 | 154 | 22.2 | 90.5 | 91.3 | 91 | 63 | 74 | 80 | 6307 | 6206 | 16.32 | CD0006 | 68 | |
| 10 | 7.5 | 1770 | 215T | EM3313T-8 | 29.5 | 215 | 29.7 | 91.7 | 92.2 | 91.7 | 62 | 74 | 80 | 6307 | 6206 | 17.45 | CD0006 | 68 | |
| 15 | 11 | 1765 | 254T | EM2513T-8 | 40.7 | 271 | 44.6 | 93.3 | 93.5 | 93 | 70 | 81 | 86 | 6309 | 6208 | 21.69 | CD0006 | 68 | |
| 20 | 15 | 3510 | 254T | EM2514T-8 | 52.3 | 336 | 29.9 | 93.5 | 93.3 | 91 | 72 | 81 | 89 | 6309 | 6208 | 21.69 | CD0695 | 24,69 | |
| 20 | 15 | 1765 | 256T | EM2515T-8 | 54.3 | 373 | 59 | 92.1 | 93 | 93 | 65 | 75 | 85 | 6309 | 6208 | 21.69 | CD0695 | 24,69 | |
| 25 | 19 | 3520 | 256T | EM2516T-8 | 63.2 | 475 | 37 | 91.3 | 92.8 | 91.7 | 78 | 85 | 91 | 6309 | 6208 | 21.69 | CD0695 | 24,69 | |
| 25 | 19 | 1770 | 284T | EM2531T-8 | 69.5 | 438 | 74.1 | 93.4 | 94.2 | 93.6 | 69 | 79 | 83 | 6311 | 6309 | 23.81 | CD0695 | 24,69 | |
| 30 | 22 | 1770 | 286T | EM2535T-8 | 81 | 514 | 88.9 | 93.6 | 94.2 | 94.1 | 72 | 82 | 85 | 6311 | 6309 | 25.06 | CD0695 | 24,69 | |
| 40 | 30 | 3540 | 286TS | EM2538T-8 | 105 | 825 | 59.8 | 94.4 | 94.7 | 92.4 | 79 | 85 | 88 | 6311 | 6309 | 23.69 | CD0695 | 24,69 | |
| 40 | 30 | 1775 | 324T | EM2539T-8 | 107 | 730 | 118 | 93.1 | 94.2 | 94.1 | 67 | 78 | 85 | 6312 | 6311 | 26.69 | CD0695 | 24,69 | |
| 50 | 37 | 1775 | 326T | EM2543T-8 | 132 | 877 | 148 | 93.6 | 94.4 | 94.5 | 70 | 80 | 87 | 6312 | 6311 | 27.69 | CD0695 | 24,69 | |
| 60 | 45 | 1775 | 364T | EM2547T-8 | 160 | 1080 | 177 | 94.9 | 95.3 | 95 | 77 | 85 | 87 | 6313 | 6311 | 30.69 | CD0695 | 24,69 | |
| 75 | 56 | 1780 | 365T | EM2551T-8 | 199 | 1175 | 222 | 95.4 | 95.7 | 95 | 76 | 83 | 86 | 6313 | 6313 | 29.7 | 416820-15 | 24,69 | |
| 100 | 75 | 1780 | 404T | EM2555T-8 | 263 | 1745 | 295 | 95.4 | 95.8 | 95.4 | 69 | 79 | 86 | 6316 | 6312 | 36.97 | CD0695 | 24,69 | |
| F2 Mounting | | | | | | | | | | | | | | | | | | | |
| 2 | 1.5 | 1750 | 145T | EFM3157T-8 | 6.5 | 49.1 | 6 | 84.5 | 86.5 | 86.5 | 56 | 69 | 77 | 6205 | 6203 | 12.12 | CD0006 | 68 | |
| 3 | 2.2 | 1765 | 182T | EFM3211T-8 | 9.7 | 75.1 | 8.9 | 87.4 | 89.4 | 89.5 | 53 | 66 | 73 | 6206 | 6205 | 15 | CD0006 | 68 | |
| 5 | 3.7 | 1750 | 184T | EFM3218T-8 | 15.3 | 105 | 15 | 89.1 | 89.9 | 89.5 | 63 | 74 | 79 | 6206 | 6205 | 16.5 | CD0006 | 68 | |
| 7 1/2 | 5.6 | 1770 | 213T | EFM3311T-8 | 22.3 | 157 | 22.1 | 89.6 | 91.3 | 91 | 62 | 73 | 79 | 6307 | 6206 | 16.32 | CD0006 | 68 | |
| 10 | 7.5 | 1770 | 215T | EFM3313T-8 | 29.5 | 215 | 29.7 | 91.7 | 92.2 | 91.7 | 62 | 74 | 80 | 6307 | 6206 | 17.45 | CD0006 | 68 | |
| 15 | 11 | 1765 | 254T | EFM2513T-8 | 40.7 | 271 | 44.6 | 93.3 | 93.5 | 93 | 70 | 81 | 86 | 6309 | 6208 | 21.69 | CD0006 | 68 | |
| 20 | 15 | 1765 | 256T | EFM2515T-8 | 54.3 | 373 | 59 | 92.1 | 93 | 93 | 65 | 75 | 85 | 6309 | 6208 | 21.69 | CD0695 | 24,69 | |

NOTE: 24 = Part Winding Start or DOL.

68 = 3 lead design

69 = 6 lead suitable for part winding start on 200 volts.

See page 93 for Connection Diagrams. See page 77 for dimensions.

Efficiencies shown are nominal. Data subject to change without notice. Contact Baldor for certified data.

Shaded ratings are cast iron frames.

Unit Handling Motors



These Baldor•Reliance motors are designed and manufactured for use in Unit and baggage handling, conveyors, packaging equipment, machine tools, hoists, elevators and door operators.

Motors are a Super-E® design with NEMA Premium® efficiency, Class F insulation, 1.15 service factor and are Inverter Ready. 143-145TY and 143-145TCY frame motors have a special base with 56, 143 and 145 slots used on OEM conveyors. 56-140 frames have low profile F3 top-mounted conduit box. 3 year warranty on Super-E® motors. UL/CSA recognized and CE certified.



TEFC – Totally Enclosed Fan Cooled 208-230/460 & 575 Volt, Three Phase, 1/2 - 7 1/2 Hp

| Hp | kW | RPM | Frame | Catalog No. | Amps @ High V | | F.L. Torque Lb. Ft. | Efficiency % | | | Power Factor % | | | Bearings | | "C" Dim. | Conn. Diag. No. |
|---|------|------|--------|--------------|---------------|------|---------------------|--------------|------|------|----------------|-----|------|----------|------|----------|-----------------|
| | | | | | F.L. | L.R. | | 1/2 | 3/4 | F.L. | 1/2 | 3/4 | F.L. | DE | ODE | | |
| C-Face Foot Mounted - 208-230/460 Volt | | | | | | | | | | | | | | | | | |
| 1 | 0.75 | 1760 | 143TCY | CEUHM3546T | 1.5 | 12.1 | 3 | 82.1 | 84.8 | 85.5 | 49 | 62 | 71 | 6205 | 6203 | 13.29 | CD0005 |
| 1 1/2 | 1.1 | 1760 | 145TYC | CEUHM3554T | 2.2 | 18.3 | 4.5 | 84.5 | 86.8 | 86.5 | 51 | 65 | 73 | 6205 | 6203 | 13.29 | CD0005 |
| 2 | 1.5 | 1755 | 145TCY | CEUHM3558T | 2.9 | 24.3 | 6 | 84.2 | 86.4 | 86.5 | 51 | 64 | 73 | 6205 | 6203 | 14.17 | CD0005 |
| 3 | 2.2 | 1760 | 182TC | CEUHM3611T | 4.2 | 32 | 8.9 | 87.8 | 89.5 | 89.5 | 54 | 68 | 75 | 6206 | 6205 | 16.55 | CD0005 |
| 5 | 3.7 | 1750 | 184TC | CEUHM3615T | 6.7 | 49.1 | 14.9 | 89.7 | 90.3 | 89.5 | 60 | 72 | 78 | 6206 | 6205 | 18.05 | CD0005 |
| C-Face Footless - 208-230/460 Volt | | | | | | | | | | | | | | | | | |
| 1/2 | 0.37 | 1735 | 56C | VEUHM3538 | 0.8 | 5.6 | 1.5 | 80.3 | 82.5 | 82.5 | 52 | 65 | 74 | 6205 | 6203 | 13.23 | CD0005 |
| 1/2 | 0.37 | 1750 | 56C | VEUHM3542 | 1.1 | 9.7 | 2.2 | 80.3 | 83.8 | 84 | 49 | 63 | 72 | 6205 | 6203 | 13.23 | CD0005 |
| 1 | 0.75 | 1760 | 56C | VEUHM3546 | 1.5 | 12.1 | 3 | 82.1 | 84.8 | 85.5 | 49 | 62 | 71 | 6205 | 6203 | 13.23 | CD0005 |
| 1 | 0.75 | 1760 | 143TC | VEUHM3546T | 1.5 | 12.1 | 3 | 82.1 | 84.8 | 85.5 | 49 | 62 | 71 | 6205 | 6203 | 13.29 | CD0005 |
| 1 1/2 | 1.1 | 1760 | 145TC | VEUHM3554T | 2.2 | 18.3 | 4.5 | 84.5 | 86.8 | 86.5 | 51 | 65 | 73 | 6205 | 6203 | 13.29 | CD0005 |
| 2 | 1.5 | 1755 | 145TC | VEUHM3558T | 2.9 | 24.3 | 6 | 84.2 | 86.4 | 86.5 | 51 | 64 | 73 | 6205 | 6203 | 14.17 | CD0005 |
| 3 | 2.2 | 1760 | 182TC | VEUHM3611T | 4.2 | 32 | 8.9 | 87.8 | 89.5 | 89.5 | 54 | 68 | 75 | 6206 | 6205 | 16.55 | CD0005 |
| 5 | 3.7 | 1750 | 184TC | VEUHM3615T | 6.7 | 49.1 | 14.9 | 89.7 | 90.3 | 89.5 | 60 | 72 | 78 | 6206 | 6205 | 18.05 | CD0005 |
| 7 1/2 | 5.6 | 1770 | 213TC | VEUHM3710T | 9.4 | 71.6 | 22.3 | 91.8 | 92.4 | 91.7 | 62 | 75 | 81 | 6307 | 6206 | 19.76 | CD0005 |
| C-Face Footless - 575 Volt | | | | | | | | | | | | | | | | | |
| 1 | 0.75 | 1760 | 143TC | VEUHM3546T-5 | 1.2 | 9.7 | 3 | 81.9 | 84.8 | 85.5 | 49 | 62 | 71 | 6205 | 6203 | 13.29 | CD0006 |
| 1 1/2 | 1.1 | 1760 | 145TC | VEUHM3554T-5 | 1.8 | 14.6 | 4.5 | 84.5 | 87 | 86.5 | 51 | 65 | 74 | 6205 | 6203 | 13.29 | CD0006 |
| 2 | 1.5 | 1755 | 145TC | VEUHM3558T-5 | 2.4 | 19.6 | 6 | 83.8 | 86.4 | 86.5 | 50 | 64 | 73 | 6205 | 6203 | 14.17 | CD0006 |

NOTE: See page 91 for Layout drawing. See page 93 for Connection Diagrams.
Efficiencies shown are nominal. Data subject to change without notice. Contact Baldor for certified data.

Unit Handling D-Series Brake Motors

These Baldor•Reliance motors are designed and manufactured for use in Unit and baggage handling, conveyors, packaging equipment, machine tools, hoists, elevators and door operators.

Motors are a Super-E® design with NEMA Premium® efficiency, Class F insulation, 1.15 service factor and are Inverter Ready. Dodge “D” Series brakes are spring set, magnetically released power off type brakes flange mounted to the motor. Brakes are single phase with built-in rectifier to DC. Brakes have a manual release lever. Leads are brought to the motor conduit box for connecting to the motor leads (56-140 frames) or connecting separately (180-210 frames). 56-140 frames have low profile F3 top-mounted conduit box. D series brake motors can be universally mounted. Inverter ready.

143-145TY and 143-145TCY frame motors have a special base with 56, 143 and 145 slots used on OEM conveyors. UL/CSA recognized and CE certified.



TEFC – Totally Enclosed Fan Cooled 208-230/460 & 575 Volt, Three Phase, 1/2 - 7 1/2 Hp

| Hp | kW | RPM | Frame | Catalog No. | Amps @ High V | | F.L. Torque Lb. Ft. | Efficiency % | | | Power Factor % | | | Bearings | | Volt Code | “C” Dim. | Conn. Diag. No. | Brake Rating Lb-Ft² |
|---|------|------|--------|--------------|---------------|------|---------------------|--------------|------|------|----------------|-----|------|----------|------|-----------|----------|-----------------|---------------------|
| | | | | | F.L. | L.R. | | 1/2 | 3/4 | F.L. | 1/2 | 3/4 | F.L. | DE | ODE | | | | |
| Foot Mounted - 208-230/460 Volt | | | | | | | | | | | | | | | | | | | |
| 2 | 1.5 | 1750 | 145TY | EBM3558T-D | 2.9 | 23.7 | 6 | 85.4 | 86.9 | 86.5 | 53 | 67 | 75 | 6205 | 6205 | E | 17.35 | CD0005 | 10 |
| 3 | 2.2 | 1760 | 182T | EBM3611T-D | 4.1 | 32 | 9 | 89.1 | 90 | 89.5 | 58 | 73 | 77 | 6206 | 6205 | E | 21.64 | CD0005 | 15 |
| 5 | 3.7 | 1750 | 184T | EBM3615T-D | 6.7 | 49.1 | 14.9 | 89.7 | 90.3 | 89.5 | 60 | 72 | 78 | 6206 | 6205 | E | 23.14 | CD0005 | 25 |
| 7 1/2 | 5.6 | 1770 | 213T | EBM3710T-D | 9.4 | 71.6 | 22.3 | 91.8 | 92.4 | 91.7 | 62 | 75 | 81 | 6307 | 6206 | E | 25.42 | CD0005 | 25 |
| 10 | 7.5 | 1770 | 215T | EBM3714T-D | 12 | 103 | 29.5 | 92.1 | 92.4 | 91.7 | 66 | 79 | 85 | 6307 | 6206 | E | 26.92 | CD0005 | 50 |
| C-Face Foot Mounted - 208-230/460 Volt | | | | | | | | | | | | | | | | | | | |
| 2 | 1.5 | 1750 | 145TCY | CEBM3558T-D | 2.9 | 23.7 | 6 | 85.4 | 86.9 | 86.5 | 53 | 67 | 75 | 6205 | 6205 | E | 17.35 | CD0005 | 10 |
| 3 | 2.2 | 1760 | 182TC | CEBM3611T-D | 4.1 | 32 | 9 | 89.1 | 90 | 89.5 | 58 | 73 | 77 | 6206 | 6205 | E | 21.64 | CD0005 | 15 |
| 5 | 3.7 | 1750 | 184TC | CEBM3615T-D | 6.7 | 49.1 | 14.9 | 89.7 | 90.3 | 89.5 | 60 | 72 | 78 | 6206 | 6205 | E | 23.14 | CD0005 | 25 |
| 7 1/2 | 5.6 | 1770 | 213TC | CEBM3710T-D | 9.4 | 71.6 | 22.3 | 91.8 | 92.4 | 91.7 | 62 | 75 | 81 | 6307 | 6206 | E | 26.17 | CD0005 | 25 |
| 10 | 7.5 | 1770 | 215TC | CEBM3714T-D | 12 | 103 | 29.5 | 92.1 | 92.4 | 91.7 | 66 | 79 | 85 | 6307 | 6206 | E | 27.67 | CD0005 | 35 |
| C-Face Footless - 208-230/460 Volt | | | | | | | | | | | | | | | | | | | |
| 1 | 0.75 | 1760 | 56C | VEBM3546-D | 1.5 | 12.1 | 3 | 82.1 | 84.8 | 85.5 | 49 | 62 | 71 | 6205 | 6205 | E | 16.29 | CD0005 | 6 |
| 1 | 0.75 | 1760 | 143TC | VEBM3546T-D | 1.5 | 12.1 | 3 | 82.1 | 84.8 | 85.5 | 49 | 62 | 71 | 6205 | 6205 | E | 16.35 | CD0005 | 6 |
| 1 1/2 | 1.1 | 1760 | 56C | VEBM3554-D | 2.2 | 18.3 | 4.5 | 84.5 | 86.8 | 86.5 | 51 | 65 | 73 | 6205 | 6205 | E | 17.29 | CD0005 | 10 |
| 1 1/2 | 1.1 | 1760 | 145TC | VEBM3554T-D | 2.2 | 18.3 | 4.5 | 84.5 | 86.8 | 86.5 | 51 | 65 | 73 | 6205 | 6205 | E | 17.35 | CD0005 | 10 |
| 2 | 1.5 | 1755 | 145TC | VEBM3558T-D | 2.9 | 24.3 | 6 | 84.2 | 86.4 | 86.5 | 51 | 64 | 73 | 6205 | 6205 | E | 18.23 | CD0005 | 10 |
| 3 | 2.2 | 1760 | 182TC | VEBM3611T-D | 4.2 | 32 | 8.9 | 87.8 | 89.5 | 89.5 | 54 | 68 | 75 | 6206 | 6205 | E | 21.64 | CD0005 | 15 |
| 5 | 3.7 | 1750 | 184TC | VEBM3615T-D | 6.7 | 49.1 | 14.9 | 89.7 | 90.3 | 89.5 | 60 | 72 | 78 | 6206 | 6205 | E | 23.14 | CD0005 | 15 |
| 7 1/2 | 5.6 | 1770 | 213TC | VEBM3710T-D | 9.4 | 71.6 | 22.3 | 91.8 | 92.4 | 91.7 | 62 | 75 | 81 | 6307 | 6206 | E | 26.17 | CD0005 | 25 |
| C-Face Footless - 575 Volt | | | | | | | | | | | | | | | | | | | |
| 1 | 0.75 | 1760 | 143TC | VEBM3546T-5D | 1.2 | 9.66 | 3 | 81.9 | 84.8 | 85.5 | 49 | 62 | 71 | 6205 | 6205 | E | 16.35 | CD0006 | 6 |
| 2 | 1.5 | 1755 | 184TC | VEBM3558T-5D | 2.4 | 19.6 | 6 | 83.8 | 86.4 | 86.5 | 50 | 64 | 73 | 6205 | 6205 | H | 18.23 | CD0006 | 10 |
| 3 | 2.2 | 1760 | 182TC | VEBM3611T-5D | 3.1 | 25.6 | 9 | 89.1 | 90 | 89.5 | 58 | 71 | 77 | 6206 | 6205 | H | 21.64 | CD0006 | 15 |
| 5 | 3.7 | 1750 | 184TC | VEBM3615T-5D | 5.2 | 38 | 15 | 89.8 | 90.5 | 89.5 | 61 | 73 | 81 | 6206 | 6205 | H | 23.14 | CD0006 | 15 |
| 1 1/2 | 1.1 | 1760 | 145TC | VEBM3554T-5D | 1.8 | 14.6 | 4.5 | 84.5 | 87 | 86.5 | 51 | 65 | 74 | 6205 | 6205 | H | 17.35 | CD0006 | 10 |

NOTE: Contact Baldor for Layout Drawings. See page 93 for Connection Diagrams. Efficiencies shown are nominal. Data subject to change without notice. Contact Baldor for certified data.

Super-E® Brake Motors – TEFC



Baldor•Reliance Super-E Brake motors are designed and built for industrial Machine tools, conveyors, door operators, speed reducers, any application requiring quick stops and positive hold.

Available in TEFC and ODP enclosures, they feature Spring-set brakes with a power off manual release that resets automatically. Class F insulated with 1.15 service factor. Motors have NEMA Premium® Efficiency and are suitable for inverter use. 230/460V brakes are connected in conduit box allowing for separate connection when used with an inverter.



TEFC – Totally Enclosed Fan Cooled 230/460 Volts, Three Phase, 1/2 - 30 Hp

| Hp | kW | RPM | Frame | Catalog No. | Amps @ High V | | Full Load Torque Lb. Ft. | Efficiency % | | | Power Factor % | | | Bearings | | Volt Code | “C” Dim. | Conn. Diag. No. | Brake Rating | Notes |
|------------------------|------|------|-------|-------------------|---------------|--------------|--------------------------|--------------|------|-----------|----------------|-----|-----------|----------|------|-----------|----------|-----------------|--------------|-------|
| | | | | | Full Load | Locked Rotor | | 1/2 | 3/4 | Full Load | 1/2 | 3/4 | Full Load | DE | ODE | | | | | |
| Foot Mounted | | | | | | | | | | | | | | | | | | | | |
| 1 | 0.75 | 1760 | 1760 | EBM3546 | 1.5 | 12.1 | 3 | 82.1 | 84.8 | 85.5 | 49 | 62 | 71 | 6205 | 6203 | E | 16.8 | CD0005 | 6 | 41 |
| 1 | 0.75 | 1760 | 1760 | EBM3546T | 1.5 | 12.1 | 3 | 82.1 | 84.8 | 85.5 | 49 | 62 | 71 | 6205 | 6203 | E | 17.86 | CD0005 | 6 | 41 |
| 1 1/2 | 1.1 | 1760 | 1760 | EBM3554T | 2.2 | 18.3 | 4.5 | 84.5 | 86.8 | 86.5 | 51 | 65 | 73 | 6205 | 6203 | E | 17.86 | CD0005 | 10 | 41 |
| 2 | 1.5 | 1755 | 1755 | EBM3558T | 2.9 | 24.3 | 6 | 84.2 | 86.4 | 86.5 | 51 | 64 | 73 | 6205 | 6203 | E | 18.74 | CD0005 | 10 | 41 |
| 3 | 2.2 | 1760 | 1760 | EBM3611T | 4.2 | 32 | 8.9 | 87.8 | 89.5 | 89.5 | 54 | 68 | 75 | 6206 | 6205 | E | 21.12 | CD0005 | 15 | 41 |
| 5 | 3.7 | 1750 | 1750 | EBM3615T | 6.7 | 49.1 | 14.9 | 89.7 | 90.3 | 89.5 | 60 | 72 | 78 | 6206 | 6205 | E | 22.65 | CD0005 | 25 | 40 |
| 7 1/2 | 5.6 | 1770 | 1770 | EBM3710T | 9.4 | 70.1 | 22.4 | 92.2 | 92.7 | 91.7 | 63 | 75 | 81 | 6307 | 6306 | E1 | 27.2 | CD0005 | 35 | 40 |
| 10 | 7.5 | 1770 | 1770 | EBM3714T | 12 | 103 | 29.5 | 92.1 | 92.4 | 91.7 | 66 | 79 | 85 | 6307 | 6306 | E | 29.19 | CD0005 | 50 | 40 |
| 15 | 11 | 1765 | 1765 | EBM2333T | 18.5 | 122.9 | 44.6 | 91.9 | 92.6 | 92.4 | 66 | 77 | 82 | 6309 | 6208 | E1 | 33.07 | CD0005 | 75 | 30 |
| 20 | 15 | 1765 | 1765 | EBM2334T | 24 | 175 | 59 | 92.8 | 93.1 | 93 | 69 | 80 | 84 | 6309 | 6208 | E1 | 33.57 | CD0005 | 105 | 30 |
| 25 | 19 | 1770 | 1770 | EBM4103T | 30 | 186 | 74.2 | 92.3 | 93.5 | 93.6 | 73 | 81 | 85 | 6311 | 6309 | E1 | 39.66 | CD0005 | 105 | 30 |
| 30 | 22 | 1780 | 1780 | EBM4104T | 37 | 216 | 90 | 93.5 | 94.1 | 93.6 | 67 | 78 | 82 | 6311 | 6309 | E1 | 42.84 | CD0005 | 125 | 30 |
| C-Face Footless | | | | | | | | | | | | | | | | | | | | |
| 1/2 | 0.37 | 1765 | 1765 | VEBMM3538 | 0.9 | 7.5 | 1.5 | 77.9 | 81.9 | 84 | 41 | 54 | 64 | 6205 | 6203 | F | 15.26 | CD0005 | 3 | 41,60 |
| 3/4 | 0.56 | 1750 | 1750 | VEBMM3542 | 1.1 | 9.7 | 2.2 | 80.3 | 83.8 | 84 | 49 | 63 | 72 | 6205 | 6203 | E | 15.26 | CD0005 | 6 | 41,60 |
| 1 | 0.75 | 1760 | 1760 | VEBMM3546 | 1.5 | 12.1 | 3 | 82.1 | 84.8 | 85.5 | 49 | 62 | 71 | 6205 | 6203 | E | 16.8 | CD0005 | 6 | 41 |
| 1 | 0.75 | 1760 | 1760 | VEBMM3546T | 1.5 | 12.1 | 3 | 82.1 | 84.8 | 85.5 | 49 | 62 | 71 | 6205 | 6203 | E | 17.86 | CD0005 | 6 | 41 |
| 1 1/2 | 1.1 | 1760 | 1760 | VEBMM3554 | 2.2 | 18.3 | 4.5 | 84.5 | 86.8 | 86.5 | 51 | 65 | 73 | 6205 | 6203 | E | 17.8 | CD0005 | 6 | 41 |
| 1 1/2 | 1.1 | 1760 | 1760 | VEBMM3554T | 2.2 | 18.3 | 4.5 | 84.5 | 86.8 | 86.5 | 51 | 65 | 73 | 6205 | 6203 | E | 17.86 | CD0005 | 10 | 41 |
| 2 | 1.5 | 1755 | 1755 | VEBMM3558 | 2.9 | 24.3 | 6 | 84.2 | 86.4 | 86.5 | 51 | 64 | 73 | 6205 | 6203 | E | 18.67 | CD0005 | 6 | 41 |
| 2 | 1.5 | 1755 | 1755 | VEBMM3558T | 2.9 | 24.3 | 6 | 84.2 | 86.4 | 86.5 | 51 | 64 | 73 | 6205 | 6203 | E | 18.74 | CD0005 | 10 | 41 |
| 3 | 2.2 | 1760 | 1760 | VEBMM3611T | 4.2 | 32 | 8.9 | 87.8 | 89.5 | 89.5 | 54 | 68 | 75 | 6206 | 6205 | E | 21.11 | CD0005 | 15 | 41 |
| 5 | 3.7 | 1750 | 1750 | VEBMM3615T | 6.7 | 49.1 | 14.9 | 89.7 | 90.3 | 89.5 | 60 | 72 | 78 | 6206 | 6205 | E | 23.06 | CD0005 | 25 | 40 |
| 7 1/2 | 5.6 | 1770 | 1770 | VEBMM3710T | 9.4 | 70.1 | 22.4 | 92.2 | 92.7 | 91.7 | 63 | 75 | 81 | 6307 | 6306 | E1 | 27.95 | CD0005 | 35 | 40 |
| 10 | 7.5 | 1770 | 1770 | VEBMM3714T | 12 | 103 | 29.5 | 92.1 | 92.4 | 91.7 | 66 | 79 | 85 | 6307 | 6306 | E | 29.95 | CD0005 | 50 | 40 |

NOTE: Volt Code: E = 208-230/460V, 60Hz; E1 = 230/460V, 60Hz, usable at 208V, F=230/460V, 60Hz

Shaded ratings are cast iron frames.

40 = Brakes may be mounted for vertical mounting with brake below the motor.

41 = Brakes may be mounted for vertical mounting with brake above or below the motor.

60 = TENV - Totally Enclosed Non-Ventilated Enclosure

See page 84 for Layout drawings. See page 93 for Connection Diagram.

Efficiencies shown are nominal. Data subject to change without notice. Contact Baldor for certified data.



Super-E® Brake Motors – ODP

Baldor•Reliance Super-E Brake motors are designed and built for industrial Machine tools, conveyors, door operators, speed reducers, any application requiring quick stops and positive hold.

Available in TEFC and ODP enclosures, they feature Spring-set brakes with a power off manual release that resets automatically. Class F insulated with 1.15 service factor. Motors have NEMA Premium® Efficiency and are suitable for inverter use. 230/460V brakes are connected in conduit box allowing for separate connection when used with an inverter.



ODP – Open Drip Proof 230/460 Volt, Three Phase, 1 - 15 Hp

| Hp | kW | RPM | Frame | Catalog No. | Amps @ High V | | Full Load Torque Lb. Ft. | Efficiency % | | | Power Factor % | | | Bearings | | Volt Code | “C” Dim. | Conn. Diag. No. | Brake Rating | Notes |
|---------------------|------|------|-------|-----------------|---------------|--------------|--------------------------|--------------|------|-----------|----------------|-----|-----------|----------|------|-----------|----------|-----------------|--------------|-------|
| | | | | | Full Load | Locked Rotor | | 1/2 | 3/4 | Full Load | 1/2 | 3/4 | Full Load | DE | ODE | | | | | |
| Foot Mounted | | | | | | | | | | | | | | | | | | | | |
| 1 | 0.75 | 1765 | 143T | EBM3116T | 1.5 | 15 | 3 | 83.6 | 86.7 | 87.5 | 48 | 60 | 70 | 6205 | 6203 | E | 16.37 | CD0005 | 6 | 41 |
| 1 1/2 | 1.1 | 1755 | 145T | EBM3154T | 2.2 | 17.5 | 4.5 | 83.5 | 86 | 86.5 | 50 | 63 | 72 | 6205 | 6203 | E1 | 16.37 | CD0005 | 10 | 41 |
| 2 | 1.5 | 1750 | 145T | EBM3157T | 2.9 | 24.3 | 6 | 84.4 | 86.6 | 86.5 | 51 | 64 | 73 | 6205 | 6203 | E1 | 16.37 | CD0005 | 10 | 41 |
| 3 | 2.2 | 1765 | 182T | EBM3211T | 4.2 | 32.3 | 8.9 | 87.6 | 89.6 | 89.5 | 53 | 66 | 73 | 6206 | 6205 | E | 19.57 | CD0005 | 15 | 41 |
| 5 | 3.7 | 1750 | 184T | EBM3218T | 6.4 | 48 | 15 | 89.8 | 90.5 | 89.5 | 61 | 73 | 81 | 6206 | 6205 | E | 21.52 | CD0005 | 25 | 40 |
| 5 | 3.7 | 1750 | 184T | EBM3248T | 6.4 | 48 | 15 | 89.8 | 90.5 | 89.5 | 61 | 73 | 81 | 6206 | 6205 | E | 21.06 | CD0005 | 15 | 41 |
| 7 1/2 | 5.6 | 1770 | 213T | EBM3311T | 9.7 | 68.2 | 22.1 | 90.5 | 91.4 | 91 | 62 | 73 | 79 | 6307 | 6306 | E | 24.45 | CD0005 | 35 | 40 |
| 10 | 7.5 | 1770 | 215T | EBM3313T | 12.5 | 88.3 | 29.7 | 91.6 | 92.3 | 91.7 | 66 | 77 | 82 | 6307 | 6306 | E | 26.08 | CD0005 | 50 | 40 |
| 15 | 11.2 | 1765 | 254T | EBM2513T | 17.7 | 211 | 44.8 | 93.7 | 93.7 | 93 | 82 | 88 | 90 | 6309 | 6309 | E | 29.88 | CD0180 | 75 | 40 |

Brakes are internally connected on 215T and smaller. Brake should be separately connected when motor is used with any electronic soft start or adjustable speed drive.

NOTE: Volt Code: E = 208-230/460V, 60Hz; E1 = 230/460V, 60Hz, usable at 208V

40 = Brakes may be mounted for vertical mounting with brake below the motor.

41 = Brakes may be mounted for vertical mounting with brake above or below the motor.

Contact Baldor for Layout Drawings. See page 93 for Connection Diagram.

Efficiencies shown are nominal. Data subject to change without notice. Contact Baldor for certified data.

Super-E® Washdown Duty Brake Motors



Baldor Super-E Washdown Duty brake motors meet or exceed NEMA Premium® efficiency and are built to the standards of Baldor's white Washdown Duty motors. These brake motors have their spring-set brakes mounted opposite the drive end, allowing a NEMA-standard BA dimension. Brake coils are connected inside the conduit box allowing easy access for separate connection when used with an adjustable speed drive. Inverter Spike Resistant insulation system.



TEFC – Totally Enclosed Fan Cooled, TENV – Totally Enclosed Non-Ventilated C-Face, Foot Mounted, 230/460 Volt, 1/2 - 5 Hp

| Hp | kW | RPM | Frame | Encl. | Catalog No. | Amps @ High V | | Full Load Torque Lb. Ft. | Efficiency % | | | Power Factor % | | | Bearings | | Volt Code | "C" Dim. | Conn. Diag. No. | Brake Rating Lb-Ft² |
|-------|------|------|-------|-------|-------------|---------------|--------------|--------------------------|--------------|------|-----------|----------------|-----|-----------|----------|------|-----------|----------|-----------------|---------------------|
| | | | | | | Full Load | Locked Rotor | | 1/2 | 3/4 | Full Load | 1/2 | 3/4 | Full Load | DE | ODE | | | | |
| 1/2 | 0.37 | 1765 | 56C | TENV | CEWDBM3538 | 0.9 | 7.5 | 1.49 | 77.6 | 81.5 | 83.8 | 41 | 53 | 63 | 6205 | 6203 | E | 15.31 | CD0005 | 3 |
| 3/4 | 0.56 | 1750 | 56C | TENV | CEWDBM3542 | 1.1 | 9.7 | 2.22 | 80.3 | 83.8 | 84.5 | 49 | 63 | 72 | 6205 | 6203 | E1 | 15.31 | CD0005 | 6 |
| 1 | 0.75 | 1745 | 56C | TENV | CEWDBM3546 | 1.5 | 13.5 | 3 | 83.4 | 85.4 | 85.5 | 53 | 67 | 76 | 6205 | 6203 | E | 16.31 | CD0005 | 6 |
| 1 | 0.75 | 1745 | 143TC | TENV | CEWDBM3546T | 1.5 | 13.5 | 3 | 83.4 | 85.4 | 85.5 | 53 | 67 | 76 | 6205 | 6203 | E | 16.81 | CD0005 | 6 |
| 1 1/2 | 1.1 | 1755 | 145TC | TENV | CEWDBM3554T | 2.1 | 20 | 4.45 | 87.0 | 88.3 | 88.8 | 54 | 68 | 76 | 6205 | 6203 | E | 18.14 | CD0005 | 10 |
| 2 | 1.5 | 1755 | 145TC | TEFC | CEWDBM3558T | 2.9 | 24.3 | 5.95 | 84.2 | 86.4 | 87.3 | 51 | 64 | 73 | 6205 | 6203 | E | 19.44 | CD0005 | 10 |
| 3 | 2.2 | 1760 | 182TC | TEFC | CEWDBM3611T | 4.2 | 32 | 8.88 | 87.8 | 89.5 | 89.6 | 54 | 68 | 75 | 6206 | 6205 | E | 21.80 | CD0005 | 15 |
| 5 | 3.7 | 1750 | 184TC | TEFC | CEWDBM3615T | 6.7 | 49.1 | 14.9 | 89.7 | 90.3 | 89.8 | 60 | 72 | 78 | 6206 | 6205 | E | 23.30 | CD0005 | 25 |

NOTE: Volt Code: E = 208-230/460V, 60Hz; E1 = 230/460V, 60Hz, usable at 208V

See page 83 for Layout drawings. See page 93 for Connection Diagram.

Efficiencies shown are nominal. Data subject to change without notice. Contact Baldor for certified data.

Super-E® Explosion Proof Brake Motors



In hazardous location applications requiring quick stops and holds, Baldor offers explosion proof brake motors from stock in 3/4 hp through 3 hp, NEMA frames 56C through 215TC. These 3-phase motors are C-face mounted, and feature a spring-set brake. In the event of a power outage, a manual release allows continued operation, and then resets automatically when power is restored. Explosion-proof brakes require external connections. UL and CSA approved for Division 1, Class I, Group D; Class I, Group D, Class II, Group F & G.



All brake motors can be mounted horizontally or vertically. Brakes that have 20 lb-ft. static torque ratings or smaller may be mounted for vertical mounting with brake above or below the motor. Brakes 20 lb-ft. and larger may be mounted for vertical mounting with brake below the motor.

TEFC – Totally Enclosed Fan Cooled, TENV – Totally Enclosed Non-Ventilated C-Face, Foot Mounted, 230/460 Volt, 1/2 - 5 Hp

| Hp | kW | RPM | Frame | Catalog No. | XP Class & Group | XP Temp Code | Amps @ High V | | Full Load Torque Lb. Ft. | Efficiency % | | | Power Factor % | | | Volt Code | "C" Dim. | Conn. Diag. No. | Brake Rating Lb-Ft² |
|----------------------------|-----|------|-------|-------------|------------------|--------------|---------------|--------------|--------------------------|--------------|------|-----------|----------------|------|-----------|-----------|----------|-----------------|---------------------|
| | | | | | | | Full Load | Locked Rotor | | 1/2 | 3/4 | Full Load | 1/2 | 3/4 | Full Load | | | | |
| C-Face Foot Mounted | | | | | | | | | | | | | | | | | | | |
| 3 | 2.2 | 1800 | 182TC | CEBM7142T | Ⓜ | T3C | 4.1 | 32 | 8.9 | 87 | 89.1 | 89.5 | 53.7 | 65.7 | 73 | 230/460 | 27.22 | 416820-1 | 15 |
| 5 | 3.7 | 1800 | 184TC | CEBM7144T | Ⓜ | T3C | 6.5 | 46 | 14.9 | 88 | 89.5 | 89.5 | 54.5 | 66.5 | 73.7 | 230/460 | 27.22 | 416820-1 | 25 |

NOTE: Ⓜ Class I, Group D, Class II, Group F & G

Contact Baldor for Layout Drawings. See page 93 for Connection Diagram.

Efficiencies shown are nominal. Data subject to change without notice. Contact Baldor for certified data.

Shaded ratings are cast iron frames.

Adjustable Speed Capabilities for Even Greater Energy Efficiency

Super-E® Motors

Super-E motors are Inverter-Ready and meet NEMA MG 1 Part 31.4.4.2. Super-E motors are suitable for use with inverter drives. Motor inverter setup is unique to each specific application. Proper setup and wiring procedures must be closely followed.

Application Considerations

It is necessary that motor-drive applications are commissioned by persons familiar with the operation and setup of adjustable speed drives, applicable electrical codes and any other regulations.

Each drive must be tuned to the motor for the specific application. System operating parameters must be checked, including voltage at motor power leads, to insure that motor/drive setup has been successfully completed.

Applications that are not properly setup can lead to substandard performance and failure of system components. In some installations, shaft grounding and isolated bearings may prevent bearing fluting and are available as an option or through Mod Express.

Reference the chart below for constant torque and variable torque capabilities for each product family. Torque performance depends upon proper drive setup.

Motors 48 body style and smaller are suitable for maximum 230V inverter operation.

Efficiency Savings

Significant energy savings can be achieved when applying Inverter Ready motors such as the Baldor Super-E to centrifugal load applications (fan and centrifugal pump) and running at reduced speed taking advantage of the affinity laws where motor load and corresponding energy consumption is reduced by the cube of the speed.



| Family | Enclosure | Frame Size | Constant Torque | Variable Torque | Comments |
|---|-----------|--------------------|-----------------|-----------------|-----------------------------------|
| Super E Motors 230, 460 and 575 Volts (2) | | | | | |
| EM | TEFC | 56-210 (1) | 20:1 | 20:1 | General Purpose Premium Efficient |
| | | 250-320 | 10:1 | 20:1 | |
| | | 360-400 | 4:1 | 20:1 | |
| | | 444-449 | 2:1 | 20:1 | |
| EM | ODP | 56-210 (1) | 10:1 | 20:1 | General Purpose Premium Efficient |
| | | 250-320 | 5:1 | 20:1 | |
| | | 360 - 449 | 2:1 | 20:1 | |
| ECP/XEX and ECP8/841XL (3) | TEFC | 140 | 20:1 | 20:1 | Severe Duty Premium Efficient |
| | | 180-210 | 10:1 | 20:1 | |
| | | 250-400 | 4:1 | 20:1 | |
| | | 444-449 | 2:1 | 20:1 | |
| EWDM | TENV,TEFC | 56-256 (1) | 20:1 | 20:1 | Washdown Duty Premium Efficient |
| ESS/SSE | TEFC | 56-250 | 2:1 | 10:1 | Stainless Steel Washdown Duty |
| | TENV | 56-140 | 4:1 | 10:1 | |
| Standard-E Motors 230/460 and 575V (2) (4) | | | | | |
| M (TEFC) | | 56-326T frames (1) | 4:1 | 20:1 | General Purpose motors |
| | | 360T - 449T | 2:1 | 20:1 | |
| M (ODP) | | 56-326T frames (1) | 4:1 | 20:1 | |
| | | 360T - 449T | 2:1 | 20:1 | |
| CP/XT | | 145T frames | 4:1 | 20:1 | Severe Duty |
| | | 180T-445T frames | 2:1 | 20:1 | |
| | | 447T-449T frames | 2:1 | 20:1 | |
| WDM | | 56-215T frames (1) | 4:1 | 20:1 | Washdown Duty |

NOTES:

(1) Baldor type 35M frames and larger

(2) For greater speed range capabilities, please select an Inverter Duty®, Vector Duty®, V* S Master or RPM AC type motor, or contact your local Baldor Sales Office for a custom motor design.

(3) Stock IEEE-841 motors include Division 2 labeling as standard. These motors will require a nameplate change through Mod Express to add inverter duty markings to the motors.

(4) Standard-E EPAct efficient motors are suitable for use in adjustable speed applications per NEMA MG 1 Part 30.

Conduit Box Volumes – Cast Iron Frames

| Motor Frame Size | Baldor ECP Volume IN ³ | 841XL Volume IN ³ | Conduit Hole Size (NPT) |
|------------------|-----------------------------------|------------------------------|-------------------------|
| 143T/145T | 34 | 34 | 0.75 |
| 182T/184T | 38 | 38 | 1 |
| 213T/215T | 38 | 38 | 1 |
| 254T/256T | 64 | 64 | 1.25 |
| 284T/286T | 113 | 113 | 1.5 |
| 324T/326T | 259 | 259 | 2 |
| 364T/365T | 363 | 363 | 3 |
| 404T/405T | 363 | 363 | 3 |
| 444T/445T | 704 | 704 | 3 |
| 447T | 1220 | 1220 | 4 |
| 449T | 1220 | 1220 | 4 |
| 5007/5009/5011 | 4980 | — | 4 |
| 5810/5812 | 4980 | — | 4 |

NOTE: All Baldor•Reliance Severe Duty motors use a neoprene lead separator gasket between box and frame to keep contaminants and moisture out of the motor. Conduit Box lid gasket is neoprene rubber. Grounding provision is located inside the conduit box. Additional and or larger conduit boxes are available.

Conduit Box Volumes – Steel Band

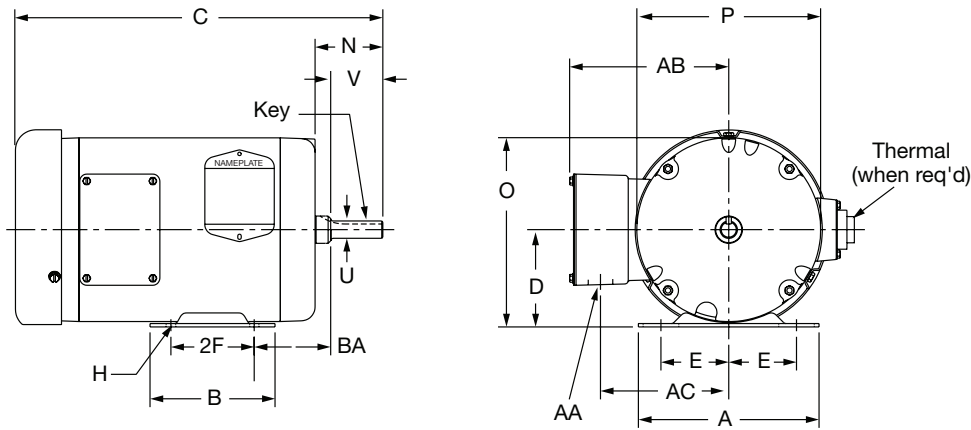
| Motor Frame Size | Baldor Volume IN ³ | UL/NEC Minimum Volume IN ³ | NPT Hole Size |
|------------------|-------------------------------|---------------------------------------|---------------|
| 56 | 10.6 | 10.5 | 0.875 |
| 143T/145T | 18.5 | 16.8 | 0.75 |
| 182T/184T | 24.9 | 16.8 | 0.75 |
| 213T/215T | 39.8 | 36.4 | 1.0 |
| 254T/256T | 79 | 36.4 | 1.25 |

Approvals UL and CSA

All NEMA 42 through 445T, equivalent IEC frame motors (Inverter and Vector Drive motors) are listed under UL recognized component file #E46145 and #E54825. All NEMA 42 through 449T frame motors are listed under CSA recognized component file #LR2262 and #LR7861. TEFC or TEBC 5000 frame motors up to 4160 volts are listed under CSA recognized component file #LR36841-7 and #LR52580.

Dimensions

Steel Band Construction – TEFC Foot Mounted – NEMA 56 - 215T



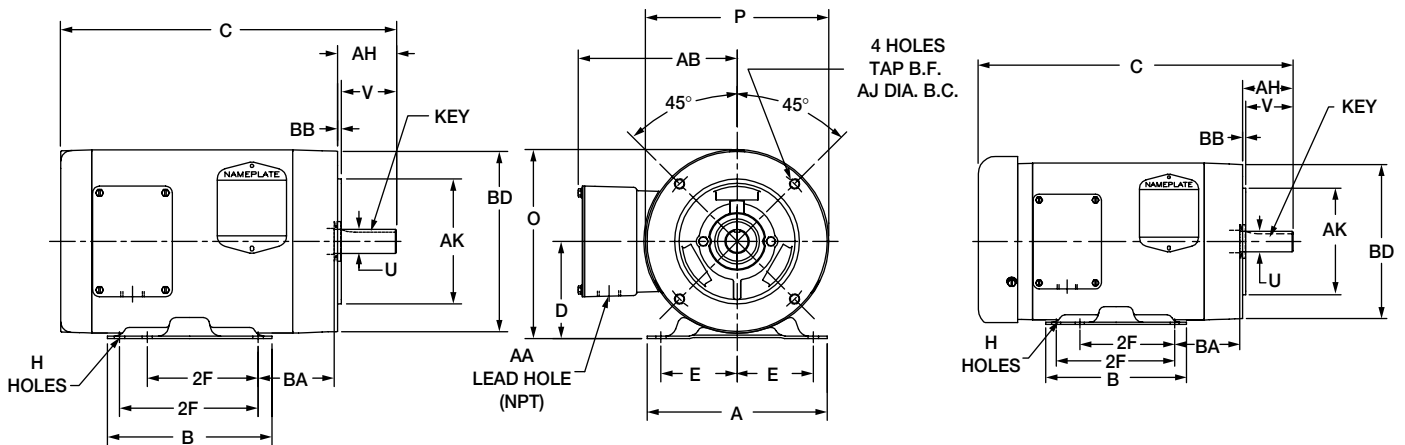
| NEMA Frame | A | B | D | E | 2F | H | Key | N | O | P | U | V | AA | AB | AC | BA |
|--------------|------|------|------|------|--------------|-----------|------|------|-------|------|-------|------|------|------|------|------|
| 56 | 6.50 | 4.50 | 3.50 | 2.44 | 3.00 | 0.34 Slot | 0.19 | 2.44 | 6.81 | 6.62 | 0.625 | 1.88 | 0.88 | 5.73 | 4.62 | 2.75 |
| 143T 145T | 6.50 | 5.94 | 3.50 | 2.75 | 4.00 5.00 | 0.34 | 0.19 | 2.50 | 6.81 | 6.62 | 0.875 | 2.25 | 0.88 | 5.73 | 4.62 | 2.25 |
| 182T 184T | 8.63 | 6.50 | 4.50 | 3.75 | 4.50 5.50 | 0.41 | 0.25 | 3.56 | 8.44 | 7.88 | 1.125 | 2.75 | 1.09 | 6.87 | 5.76 | 2.75 |
| 213T 215T | 9.50 | 8.00 | 5.25 | 4.25 | 5.50 7.00 | 0.41 | 0.31 | 3.88 | 10.03 | 9.57 | 1.375 | 3.38 | 1.38 | 8.05 | 6.79 | 3.50 |

NOTE: Drawings shown are for reference only. Please contact Baldor for a detailed dimensional drawing of the specific motor you require.

Steel Band Construction – TEFC & TENV C-Face Foot Mounted & Footless – NEMA 56 - 215TC

TENV Enclosure

TEFC Enclosure



Catalog No. starting with "C" = C-face with base.

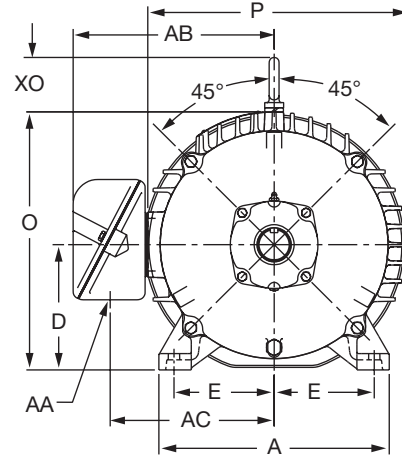
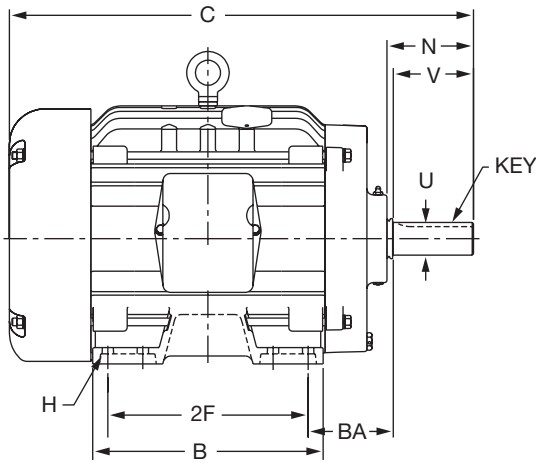
Catalog No. starting with "V" = C-face, no base.

| NEMA Frame | A | B | D | E | 2F | H | O | P | U | V | AA | AB | AH | AJ | BF TAP | AK | BA | BB | BD |
|----------------|------|------|------|------|--------------|------|-------|------|-------|------|------|------|------|------|--------|------|------|------|------|
| 56C | 6.50 | 4.50 | 3.50 | 2.44 | 3.00 | 0.34 | 6.81 | 6.62 | 0.625 | 1.88 | 0.88 | 5.74 | 2.07 | 5.88 | 3/8-16 | 4.50 | 2.75 | 0.13 | 6.50 |
| 143TC 145TC | 6.50 | 5.94 | 3.50 | 2.75 | 4.00 5.00 | 0.34 | 6.81 | 6.62 | 0.875 | 2.25 | 1.09 | 5.74 | 2.12 | 5.88 | 3/8-17 | 4.50 | 2.75 | 0.13 | 6.50 |
| 182TC 184TC | 8.63 | 6.50 | 4.50 | 3.75 | 4.50 5.50 | 0.41 | 8.44 | 7.88 | 1.125 | 2.75 | 1.09 | 6.87 | 2.62 | 7.25 | 1/2-13 | 8.5 | 3.50 | 0.25 | 8.86 |
| 213TC 215TC | 9.50 | 8.00 | 5.25 | 4.25 | 5.50 7.00 | 0.41 | 10.03 | 9.56 | 1.375 | 3.37 | 1.38 | 8.05 | 3.12 | 7.25 | 1/2-13 | 8.50 | 4.25 | 0.25 | 9.04 |

NOTE: Drawings shown are for reference only. Please contact Baldor for a detailed dimensional drawing of the specific motor you require.

Dimensions

Cast Iron Construction – TEFC Foot Mounted NEMA 143T - 449T

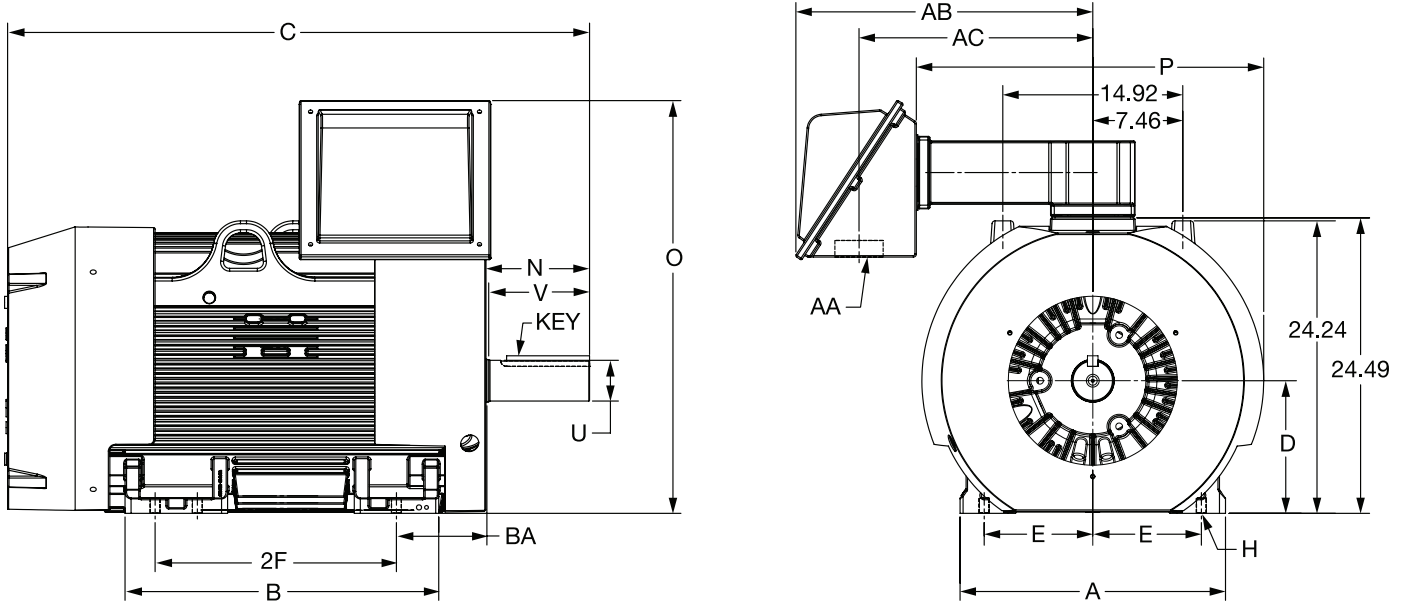


| NEMA Frame | A | B | D | E | 2F | H | Key | N | O | P | U | V | AA | AB | AC | BA |
|----------------|-------|-------|-------|------|----------------|--------|-------|------|-------|-------|-------|------|------|-------|-------|------|
| 143T 145T | 6.50 | 5.88 | 3.50 | 2.75 | 4.00 5.00 | 0.38 | 0.19 | 2.50 | 7.50 | 8.00 | 0.875 | 2.25 | 1.09 | 6.43 | 5.18 | 2.25 |
| 182T 184T | 8.62 | 6.50 | 4.50 | 3.75 | 4.50 5.50 | 0.41 | 0.25 | 2.81 | 9.23 | 9.46 | 1.125 | 2.75 | 1.09 | 7.18 | 5.93 | 2.75 |
| 213T 215T | 9.62 | 8.12 | 5.25 | 4.25 | 5.50 7.00 | 0.41 | 0.31 | 3.88 | 10.99 | 11.50 | 1.375 | 3.38 | 1.38 | 9.22 | 7.38 | 3.50 |
| 254T 256T | 11.50 | 11.50 | 6.25 | 5.00 | 8.25 10.00 | 0.53 | 0.38 | 4.32 | 12.88 | 12.94 | 1.625 | 4.00 | 1.38 | 10.04 | 8.19 | 4.25 |
| 284T 286T | 12.75 | 12.84 | 7.00 | 5.50 | 9.50 11.00 | 0.53 | 0.50 | 4.75 | 13.83 | 13.63 | 1.625 | 4.63 | 2.00 | 12.20 | 9.66 | 4.75 |
| 284TS 286TS | 12.75 | 12.84 | 7.00 | 5.50 | 9.50 11.00 | 0.53 | 0.38 | 3.37 | 13.83 | 13.63 | 1.625 | 3.25 | 2.00 | 12.20 | 9.66 | 4.75 |
| 324T 326T | 14.50 | 14.00 | 8.00 | 6.25 | 10.50 12.00 | 0.66 | 0.50 | 5.56 | 15.44 | 15.92 | 2.125 | 5.25 | 2.50 | 13.74 | 11.19 | 5.25 |
| 324TS 326TS | 14.50 | 14.00 | 8.00 | 6.25 | 10.50 12.00 | 0.66 | 0.50 | 4.06 | 15.44 | 15.92 | 1.875 | 3.75 | 2.50 | 13.74 | 11.19 | 5.25 |
| 364T 365T | 16.50 | 14.50 | 9.00 | 7.00 | 11.25 12.25 | 0.66 | 0.62 | 6.13 | 18.38 | 19.25 | 2.375 | 5.88 | 3.62 | 14.95 | 12.40 | 5.88 |
| 364TS 365TS | 16.50 | 14.50 | 9.00 | 7.00 | 11.25 12.25 | 0.66 | 0.50 | 4.00 | 18.38 | 19.25 | 1.875 | 3.75 | 3.62 | 14.95 | 12.40 | 5.88 |
| 404T 405T | 18.88 | 16.63 | 10.00 | 8.00 | 12.25 13.75 | 0.81 | 0.75 | 7.50 | 19.38 | 19.81 | 2.875 | 7.25 | 3.63 | 17.85 | 14.18 | 6.63 |
| 404TS 405TS | 19.00 | 16.00 | 10.00 | 8.00 | 12.25 13.75 | 0.81 | 0.50 | 4.50 | 21.31 | 22.50 | 2.125 | 4.00 | 3.00 | 19.31 | 15.25 | 6.62 |
| 444T 445T | 22.00 | 23.38 | 10.99 | 9.00 | 14.50 16.50 | 0.8125 | 0.875 | 8.72 | 24.24 | 26.5 | 3.375 | 8.25 | 3.00 | 22.68 | 17.87 | 7.76 |
| 444TS 445TS | 22.00 | 23.38 | 10.99 | 9.00 | 14.50 16.50 | 0.8125 | 0.625 | 4.96 | 24.24 | 26.5 | 2.375 | 4.50 | 3.00 | 22.68 | 17.87 | 7.65 |
| 445T 447T | 22.00 | 27.03 | 10.99 | 9.00 | 16.50 20.00 | 0.8125 | 0.875 | 8.59 | 24.24 | 27.57 | 3.375 | 8.25 | 4.00 | 23.86 | 18.62 | 7.66 |
| 445TS 447TS | 22.00 | 27.03 | 10.99 | 9.00 | 16.50 20.00 | 0.8125 | 0.625 | 4.84 | 24.24 | 27.57 | 2.375 | 4.50 | 4.00 | 23.86 | 18.62 | 7.68 |
| 447T 449T | 22.00 | 32.03 | 10.99 | 9.00 | 20.00 25.00 | 0.8125 | 0.875 | 8.59 | 24.24 | 27.57 | 3.375 | 8.39 | 4.00 | 23.74 | 18.5 | 7.52 |
| 447TS 449TS | 22.00 | 32.03 | 10.99 | 9.00 | 20.00 25.00 | 0.8125 | 0.625 | 4.84 | 24.24 | 27.57 | 2.375 | 4.75 | 4.00 | 23.74 | 18.62 | 7.52 |

NOTE: Drawings shown are for reference only. Please contact Baldor for a detailed dimensional drawing of the specific motor you require.

Dimensions

Dimensional Layout for Motors with Note 99 Cast Iron Construction Motors – TEFC Swing Arm Mounted Conduit Box NEMA 444T - L449T



* For General Purpose Enclosures AA is a Lead outlet hole.

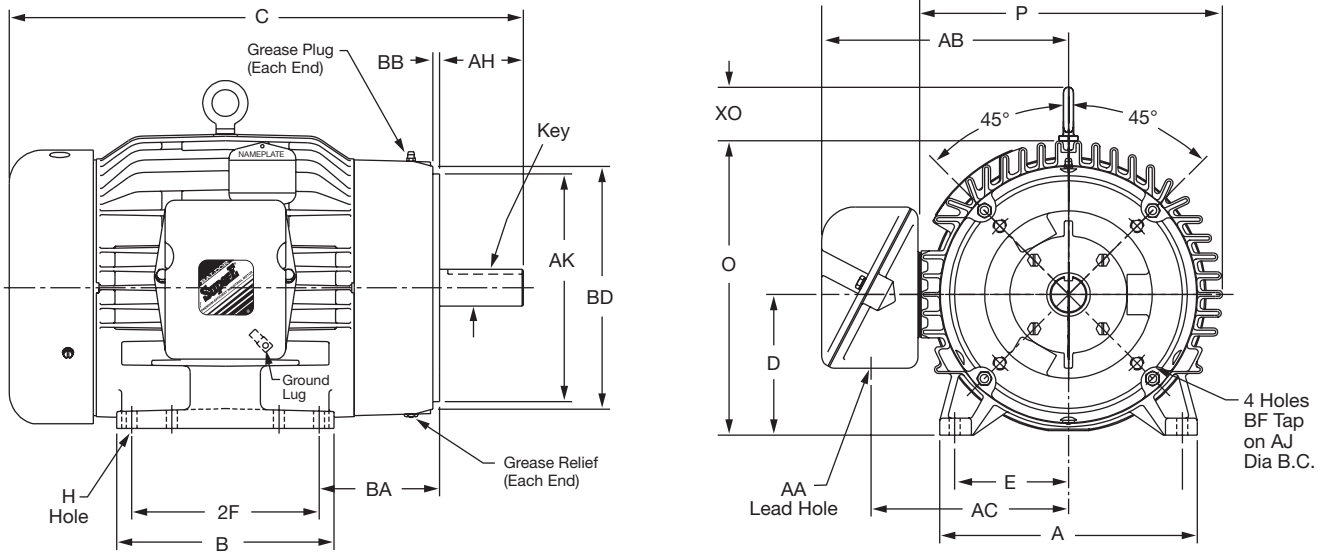
* For Severe Duty Enclosures (ECP) - AA is an N.P.T.

| NEMA Frame | A | B | D | E | 2F | H | Key | N | O | P | U | V | AA* | AB | AC | BA |
|------------|-------|-------|-------|------|-------|--------|-------|------|-------|-------|-------|------|------|-------|-------|------|
| 444T | 22.00 | 22.35 | 10.99 | 9.00 | 14.50 | 0.8125 | 0.875 | 8.72 | 33.59 | 28.78 | 3.375 | 8.36 | 3.60 | 24.55 | 19.37 | 7.66 |
| 445T | | | | | 16.50 | | | | | | | | | | | |
| 444TS | 22.00 | 22.35 | 10.99 | 9.00 | 14.50 | 0.8125 | 0.625 | 4.96 | 33.59 | 28.78 | 2.375 | 4.62 | 3.60 | 24.55 | 19.37 | 7.64 |
| 445TS | | | | | 16.50 | | | | | | | | | | | |
| 445T | 22.00 | 26.00 | 10.99 | 9.00 | 16.50 | 0.8125 | 0.875 | 8.59 | 34.21 | 28.78 | 3.375 | 8.36 | 4.00 | 24.61 | 19.37 | 7.50 |
| 447T | | | | | 20.00 | | | | | | | | | | | |
| 445TS | 22.00 | 26.00 | 10.99 | 9.00 | 16.50 | 0.8125 | 0.625 | 4.84 | 34.21 | 28.78 | 2.375 | 4.75 | 4.00 | 24.61 | 19.37 | 7.50 |
| 447TS | | | | | 20.00 | | | | | | | | | | | |
| 447T | 22.00 | 31.00 | 10.99 | 9.00 | 20.00 | 0.8125 | 0.875 | 8.59 | 34.18 | 28.63 | 3.375 | 8.50 | 4.00 | 24.47 | 19.22 | 7.51 |
| 449T | | | | | 25.00 | | | | | | | | | | | |
| 447TS | 22.00 | 31.00 | 10.99 | 9.00 | 20.00 | 0.8125 | 0.625 | 4.84 | 34.18 | 28.63 | 2.375 | 4.75 | 4.00 | 24.47 | 19.22 | 7.45 |
| 449TS | | | | | 25.00 | | | | | | | | | | | |
| 449T | 22.00 | 38.04 | 10.99 | 9.00 | 25.00 | 0.8125 | 0.875 | 8.56 | 34.21 | 28.63 | 3.375 | 8.37 | 4.00 | 24.61 | 19.37 | 7.62 |
| L449TS | | | | | 32.00 | | | | | | | | | | | |
| 449TS | 22.00 | 38.04 | 10.99 | 9.00 | 25.00 | 0.8125 | 0.625 | 4.81 | 34.21 | 28.78 | 2.375 | 4.62 | 4.00 | 24.61 | 19.37 | 7.62 |
| L449TS | | | | | 32.00 | | | | | | | | | | | |

NOTE: Drawings shown are for reference only. Please contact Baldor for a detailed dimensional drawing of the specific motor you require.

Dimensions

Cast Iron Construction – TEFC C-Face Foot Mounted NEMA 143TC - 405TC

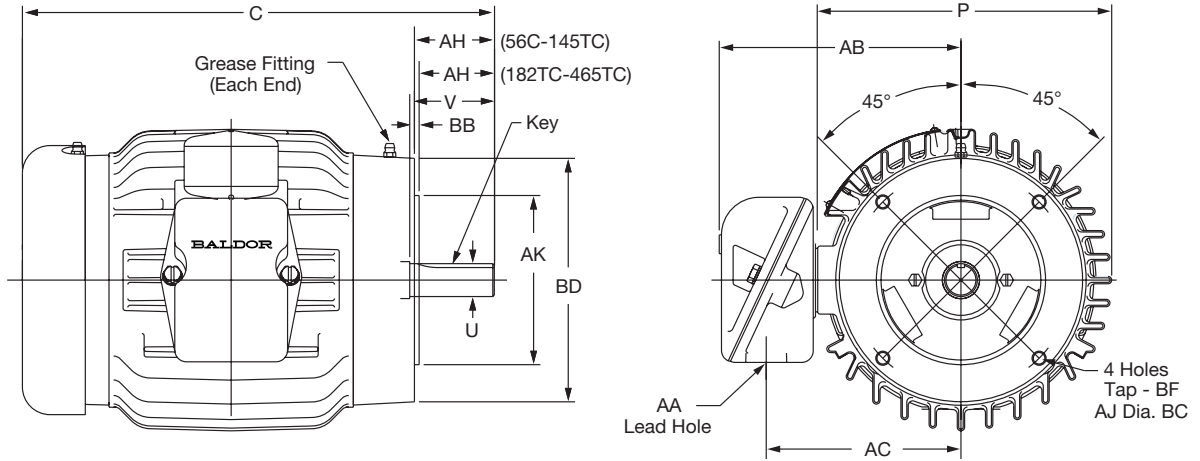


| NEMA Frame | A | B | D | E | 2F | H | Key | O | P | U | V | AA | AB | AC | AH | AJ | AK | BB | BD | BF Tap | BA |
|------------------|-------|-------|-------|------|----------------|------|-------|-------|-------|-------|------|------|-------|-------|------|-------|-------|------|-------|--------|------|
| 143TC 145TC | 6.50 | 5.88 | 3.50 | 2.75 | 4.00 5.00 | 0.38 | 0.19 | 7.50 | 8.00 | 0.875 | 2.01 | 1.09 | 6.37 | 5.19 | 2.12 | 5.88 | 4.50 | 0.13 | 6.47 | 3/8-16 | 2.75 |
| 182TC 184TC | 8.62 | 6.50 | 4.50 | 3.75 | 4.50 5.50 | 0.41 | 0.25 | 9.23 | 9.46 | 1.125 | 2.62 | 1.09 | 7.18 | 5.93 | 2.75 | 7.25 | 8.50 | 0.25 | 9.00 | 1/2-13 | 3.50 |
| 213TC 215TC | 9.62 | 8.12 | 5.25 | 4.25 | 5.50 7.00 | 0.41 | 0.31 | 10.99 | 11.50 | 1.375 | 3.38 | 1.38 | 9.21 | 7.37 | 3.13 | 7.25 | 8.50 | 0.25 | 9.06 | 1/2-13 | 4.50 |
| 254TC 256TC | 11.50 | 11.50 | 6.25 | 5.00 | 8.25 10.00 | 0.53 | 0.38 | 12.88 | 12.94 | 1.625 | 4.00 | 1.38 | 10.04 | 8.19 | 3.75 | 7.25 | 8.50 | 0.25 | 9.09 | 1/2-13 | 4.75 |
| 284TC 286TC | 12.75 | 12.84 | 7.00 | 5.50 | 9.50 11.00 | 0.53 | 0.50 | 14.44 | 15.30 | 1.875 | 4.63 | 2.00 | 13.11 | 10.56 | 4.38 | 9.00 | 10.50 | 0.25 | 11.21 | 1/2-13 | 4.75 |
| 284TSC 286TSC | 12.75 | 12.84 | 7.00 | 5.50 | 9.50 11.00 | 0.53 | 0.38 | 14.44 | 15.30 | 1.625 | 3.25 | 2.00 | 13.12 | 10.56 | 3.00 | 9.00 | 10.50 | 0.25 | 11.21 | 1/2-13 | 4.75 |
| 324TC 326TC | 14.50 | 14.00 | 8.00 | 6.25 | 10.50 12.00 | 0.66 | 0.50 | 16.25 | 17.85 | 2.125 | 5.25 | 2.50 | 14.61 | 12.06 | 5.00 | 11.00 | 12.50 | 0.25 | 13.40 | 5/8-11 | 5.25 |
| 324TSC 326TSC | 14.50 | 14.00 | 8.00 | 6.25 | 10.50 12.00 | 0.66 | 0.50 | 16.25 | 17.85 | 1.875 | 3.75 | 2.50 | 14.63 | 12.07 | 3.50 | 11.00 | 12.50 | 0.25 | 13.40 | 5/8-11 | 5.25 |
| 364TC 365TC | 17.00 | 15.00 | 9.00 | 7.00 | 11.25 12.25 | 0.69 | 0.625 | 18.50 | 19.50 | 2.375 | 5.62 | 3.00 | 18.08 | 14.00 | 5.62 | 11.00 | 12.50 | 0.25 | 13.00 | 5/8-11 | 5.88 |
| 364TSC 365TSC | 17.00 | 15.00 | 9.00 | 7.00 | 11.25 12.25 | 0.69 | 0.50 | 18.50 | 19.50 | 1.875 | 3.50 | 3.00 | 18.08 | 14.00 | 3.50 | 11.00 | 12.50 | 0.25 | 13.00 | 5/8-11 | 5.88 |
| 404TC 405TC | 18.88 | 16.63 | 10.00 | 8.00 | 12.25 13.75 | 0.81 | 0.75 | 21.31 | 22.50 | 2.875 | 7.00 | 3.00 | 19.31 | 15.25 | 7.00 | 11.00 | 12.50 | 0.25 | 13.12 | 5/8-11 | 6.62 |

NOTE: Drawings shown are for reference only. Please contact Baldor for a detailed dimensional drawing of the specific motor you require.

Dimensions

Cast Iron Construction – TEFC C-Face Footless NEMA 56C - 256TC

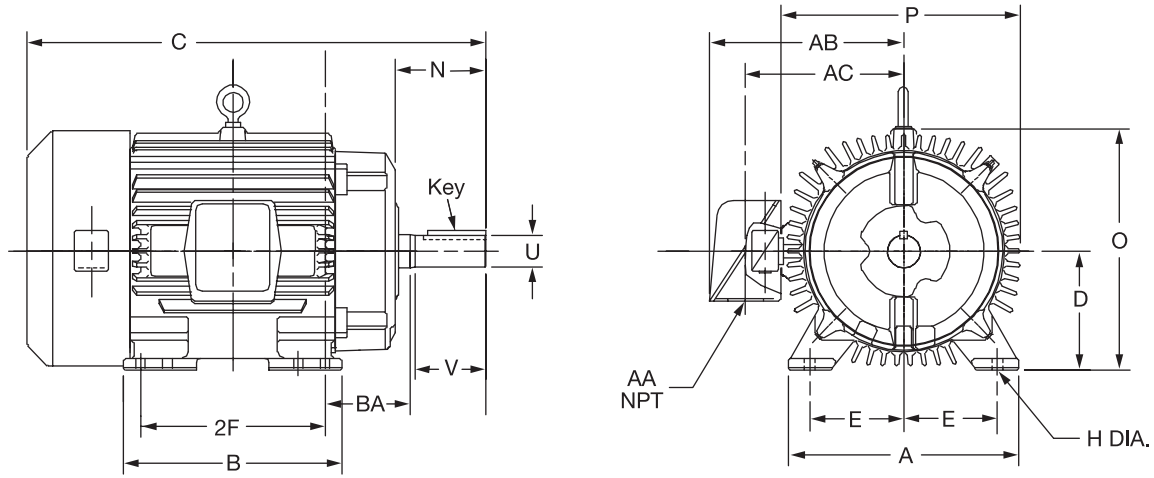


| NEMA Frame | Key | P | U | V | AA | AB | AC | AH | AJ | AK | BB | BD | BF Tap |
|----------------|------|-------|-------|------|------|-------|------|------|------|------|------|------|--------|
| 56C | 0.19 | 8.00 | 0.625 | 1.88 | 1.09 | 6.40 | 5.12 | 2.06 | 5.88 | 4.50 | 0.13 | 6.47 | 3/8-16 |
| 143TC 145TC | 0.19 | 8.00 | 0.875 | 2.25 | 1.09 | 6.36 | 5.17 | 2.12 | 5.88 | 4.50 | 0.13 | 6.47 | 3/8-16 |
| 182TC 184TC | 0.25 | 10.12 | 1.125 | 2.75 | 1.09 | 7.18 | 5.93 | 2.62 | 7.25 | 8.50 | 0.25 | 9.00 | 1/2-13 |
| 213TC 215TC | 0.31 | 11.50 | 1.375 | 3.13 | 1.38 | 9.22 | 7.38 | 3.13 | 7.25 | 8.50 | 0.25 | 9.06 | 1/2-13 |
| 254TC 256TC | 0.38 | 12.94 | 1.625 | 3.75 | 1.38 | 10.04 | 8.19 | 3.75 | 7.25 | 8.50 | 0.25 | 9.09 | 1/2-13 |

NOTE: Drawings shown are for reference only. Please contact Baldor for a detailed dimensional drawing of the specific motor you require.

Dimensions

ECP Severe Duty Motors – TEFC Foot Mounted NEMA 143T - 449T

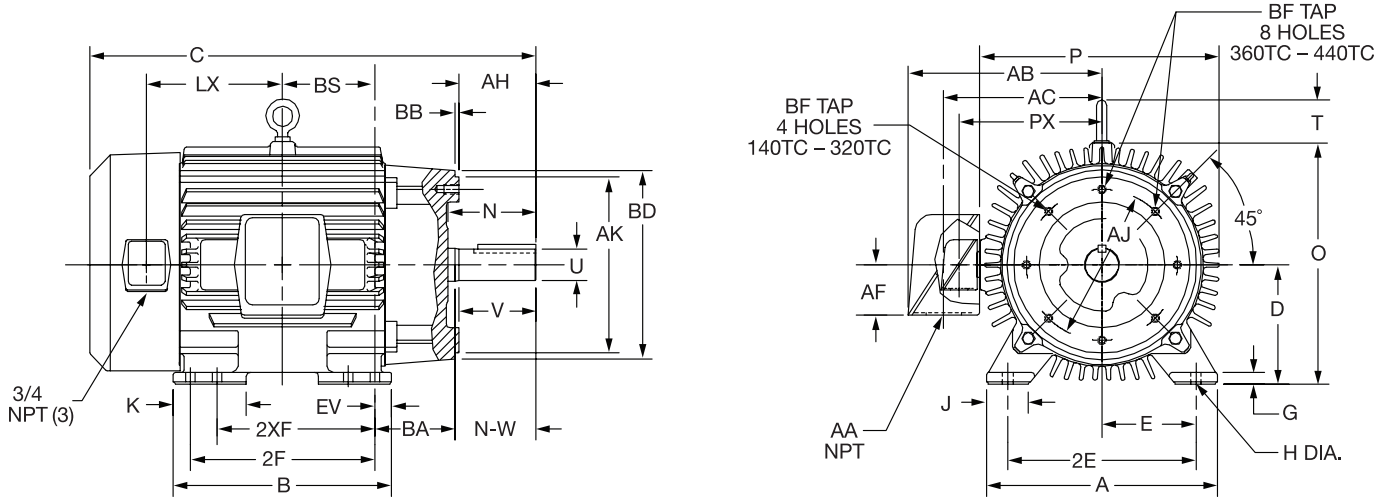


| Frame Size | A | B | D | E | 2F | H | Key | N | O | P | U | V | AA N.P.T. | AB | AC | BA |
|----------------|-------|-------|-------|------|----------------|------|-------|------|-------|-------|-------|------|-----------|-------|-------|------|
| 143T 145T | 6.50 | 5.88 | 3.50 | 3.50 | 4.00 5.00 | 0.38 | 0.19 | 2.50 | 7.50 | 8.00 | 0.875 | 2.25 | 0.75 | 6.51 | 5.06 | 2.25 |
| 182T 184T | 8.62 | 6.50 | 4.50 | 3.75 | 4.50 5.50 | 0.41 | 0.25 | 2.81 | 9.25 | 9.46 | 1.125 | 2.75 | 0.75 | 7.18 | 5.82 | 2.75 |
| 213T 215T | 9.62 | 8.12 | 5.25 | 4.25 | 5.50 7.00 | 0.41 | 0.31 | 3.88 | 10.99 | 11.50 | 1.375 | 3.38 | 1.00 | 8.86 | 7.25 | 3.50 |
| 254T 256T | 11.50 | 11.50 | 6.25 | 5.00 | 8.25 10.00 | 0.53 | 0.38 | 4.31 | 12.88 | 12.94 | 1.625 | 4.00 | 1.25 | 10.24 | 8.27 | 4.25 |
| 284T 286T | 12.76 | 12.84 | 7.00 | 5.50 | 9.50 11.00 | 0.53 | 0.50 | 4.75 | 14.44 | 15.72 | 1.875 | 4.62 | 1.50 | 12.60 | 10.25 | 4.75 |
| 284TS 286TS | 12.76 | 12.84 | 7.00 | 5.50 | 9.50 11.00 | 0.53 | 0.38 | 3.37 | 14.44 | 15.72 | 1.625 | 3.25 | 1.50 | 12.73 | 10.25 | 4.75 |
| 324T 326T | 14.50 | 14.00 | 8.00 | 6.25 | 10.50 12.00 | 0.66 | 0.50 | 5.56 | 16.25 | 17.85 | 2.125 | 5.25 | 2.00 | 14.10 | 11.75 | 5.25 |
| 324TS 326TS | 14.50 | 14.00 | 8.00 | 6.25 | 10.50 12.00 | 0.66 | 0.50 | 4.07 | 16.25 | 17.85 | 1.875 | 3.75 | 2.00 | 14.11 | 11.75 | 5.25 |
| 364T 365T | 17.00 | 15.00 | 9.00 | 7.00 | 11.25 12.25 | 0.69 | 0.625 | 6.25 | 18.50 | 19.50 | 2.375 | 5.62 | 3.00 | 18.00 | 13.81 | 5.88 |
| 364TS 365TS | 17.00 | 15.00 | 9.00 | 7.00 | 11.25 12.25 | 0.69 | 0.50 | 4.12 | 18.50 | 19.50 | 1.875 | 3.50 | 3.00 | 18.00 | 13.81 | 5.88 |
| 404T 405T | 19.00 | 16.00 | 10.00 | 8.00 | 12.25 13.75 | 0.81 | 0.75 | 7.50 | 21.31 | 22.50 | 2.875 | 7.00 | 3.00 | 19.25 | 15.06 | 6.62 |
| 404TS 405TS | 19.00 | 16.00 | 10.00 | 8.00 | 12.25 13.75 | 0.81 | 0.50 | 4.50 | 21.31 | 22.50 | 2.125 | 4.00 | 3.00 | 19.25 | 15.06 | 6.62 |
| 444T 445T | 22.00 | 23.38 | 10.99 | 9.00 | 14.50 16.50 | 0.81 | 0.875 | 8.72 | 24.24 | 26.50 | 3.375 | 8.25 | 3.00 | 22.68 | 17.87 | 7.76 |
| 444TS 445TS | 22.00 | 23.38 | 10.99 | 9.00 | 14.50 16.50 | 0.81 | 0.625 | 4.96 | 24.24 | 26.50 | 2.375 | 4.50 | 3.00 | 22.68 | 17.87 | 7.65 |
| 445T 447T | 22.00 | 27.03 | 10.99 | 9.00 | 16.50 20.00 | 0.81 | 0.875 | 8.59 | 24.24 | 27.57 | 3.375 | 8.25 | 4.00 | 23.86 | 18.62 | 7.66 |
| 445TS 447TS | 22.00 | 27.03 | 10.99 | 9.00 | 16.50 20.00 | 0.81 | 0.625 | 4.84 | 24.24 | 27.57 | 2.375 | 4.50 | 4.00 | 23.86 | 18.62 | 7.68 |
| 447T 449T | 22.00 | 32.03 | 10.99 | 9.00 | 20.00 25.00 | 0.81 | 0.875 | 8.59 | 24.24 | 27.57 | 3.375 | 8.39 | 4.00 | 23.74 | 18.5 | 7.52 |
| 447TS 449TS | 22.00 | 32.03 | 10.99 | 9.00 | 20.00 25.00 | 0.81 | 0.625 | 4.84 | 24.24 | 27.57 | 2.375 | 4.75 | 4.00 | 23.86 | 18.62 | 7.46 |

NOTE: Drawings shown are for reference only. Please contact Baldor for a detailed dimensional drawing of the specific motor you require.

Dimensions

ECP Severe Duty Motors -TEFC C-Face Foot Mounted NEMA 143TC - 326TSC

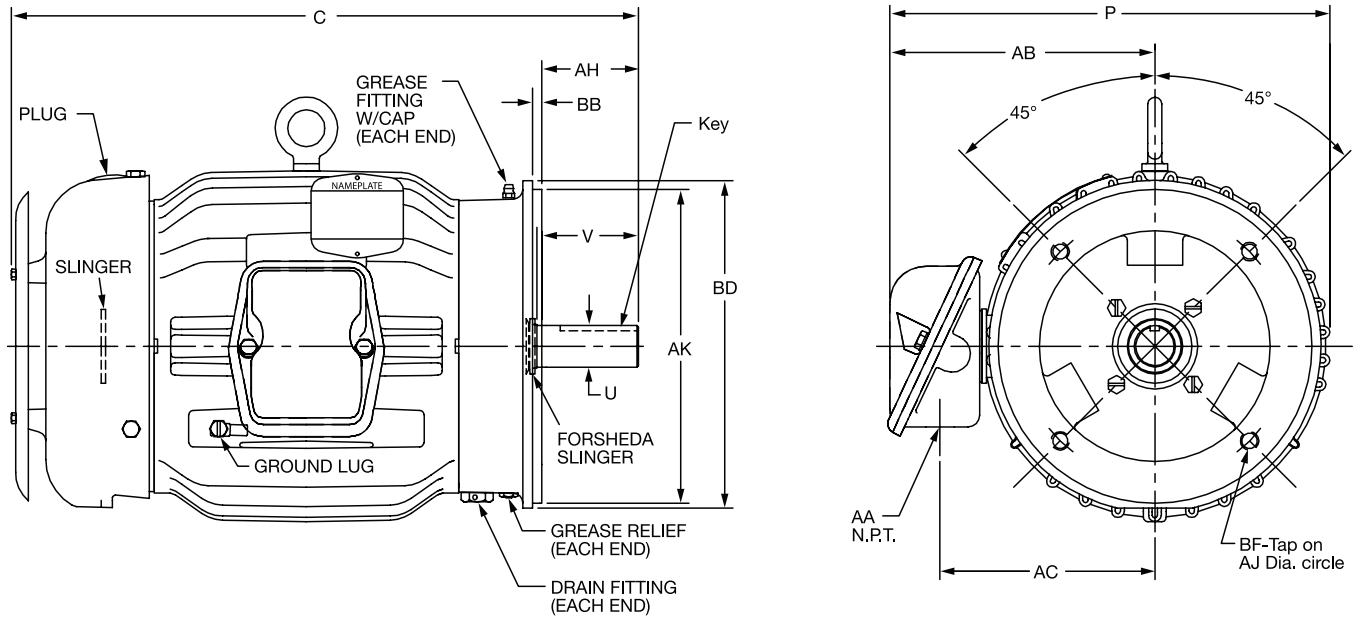


| Frame Size | A | B | D | E | 2F | H | Key | N | O | P | U | V | AA N.P.T. | AB | AC | AH | AJ | AK | BB | BD | BF Tap | BA |
|------------------|-------|-------|------|------|----------------|------|------|-------|-------|-------|------|------|-----------|-------|------|-------|-------|------|-------|--------|--------|------|
| 143TC 145TC | 6.50 | 5.88 | 3.50 | 3.50 | 4.00 5.00 | 0.38 | 0.19 | 7.48 | 8.00 | 0.875 | 2.25 | 0.75 | 6.51 | 5.05 | 2.12 | 5.88 | 4.50 | 0.13 | 6.48 | 3/8-16 | 2.75 | 2.25 |
| 182TC 184TC | 8.62 | 6.50 | 4.50 | 3.75 | 4.50 5.50 | 0.41 | 0.25 | 9.25 | 9.46 | 1.125 | 2.75 | 0.75 | 7.18 | 5.82 | 2.62 | 7.25 | 8.50 | 0.25 | 9.00 | 1/2-13 | 3.50 | 2.75 |
| 213TC 215TC | 9.62 | 8.12 | 5.25 | 4.25 | 5.50 7.00 | 0.41 | 0.31 | 10.99 | 11.50 | 1.375 | 3.37 | 1.00 | 8.86 | 7.25 | 3.12 | 7.25 | 8.50 | 0.25 | 9.06 | 1/2-13 | 4.25 | 3.50 |
| 254TC 256TC | 11.50 | 11.50 | 6.25 | 5.00 | 8.25 10.00 | 0.53 | 0.38 | 12.88 | 12.94 | 1.625 | 4.00 | 1.25 | 10.24 | 8.27 | 3.75 | 7.25 | 8.50 | 0.25 | 9.09 | 1/2-13 | 4.75 | 4.25 |
| 284TC 286TC | 12.76 | 12.84 | 7.00 | 5.50 | 9.50 11.00 | 0.53 | 0.50 | 14.44 | 15.72 | 1.875 | 4.63 | 1.50 | 12.75 | 10.25 | 4.38 | 9.00 | 10.50 | 0.25 | 11.21 | 1/2-13 | 4.75 | 4.75 |
| 284TSC 286TSC | 12.76 | 12.84 | 7.00 | 5.50 | 9.50 11.00 | 0.53 | 0.38 | 14.44 | 15.72 | 1.625 | 3.25 | 1.50 | 12.62 | 10.25 | 3.00 | 9.00 | 10.50 | 0.25 | 11.21 | 1/2-13 | 4.75 | 4.75 |
| 324TC 326TC | 14.50 | 14.00 | 8.00 | 6.25 | 10.50 12.00 | 0.66 | 0.50 | 16.47 | 17.84 | 2.125 | 5.25 | 2.00 | 14.10 | 11.74 | 5.00 | 11.00 | 12.50 | 0.25 | 13.40 | 5/8-11 | 5.25 | 5.25 |
| 324TSC 326TSC | 14.50 | 14.00 | 8.00 | 6.25 | 10.50 12.00 | 0.66 | 0.50 | 6.47 | 17.84 | 1.875 | 3.75 | 2.00 | 14.22 | 11.74 | 3.50 | 11.00 | 12.50 | 0.25 | 13.40 | 5/8-11 | 5.25 | 5.25 |

NOTE: Drawings shown are for reference only. Please contact Baldor for a detailed dimensional drawing of the specific motor you require.

Dimensions

ECP Severe Duty Motors – TEFC C-Face Footless NEMA 56C - 324TC

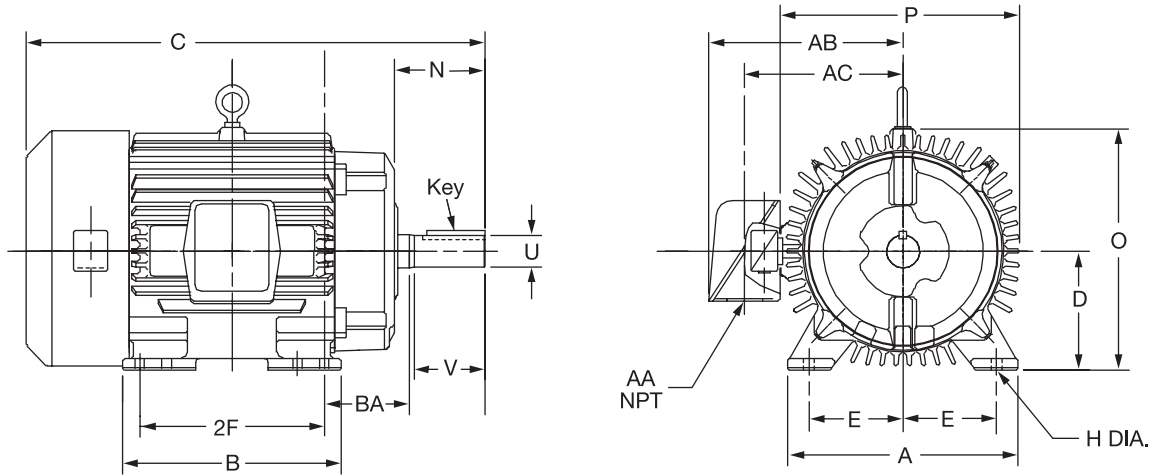


| Frame Size | Key | V | AK | BB | AA N.P.T. | AB | AC | AH | AJ | AK | BB | BD | BF Tap |
|----------------|------|-------|-------|------|--------------|-------|-------|------|-------|-------|------|-------|-----------|
| 56C | 0.19 | 8.00 | 0.625 | 1.88 | 0.75 | 6.43 | 5.07 | 2.06 | 5.88 | 4.50 | 0.13 | 6.48 | 3/8-16 |
| 143TC 145TC | 0.19 | 8.00 | 0.875 | 2.25 | 0.75 | 6.42 | 5.07 | 2.12 | 5.88 | 4.50 | 0.13 | 6.48 | 3/8-16 |
| 182TC 184TC | 0.25 | 9.46 | 1.125 | 2.75 | 0.75 | 7.18 | 5.82 | 2.62 | 7.25 | 8.50 | 0.25 | 9.00 | 1/2-13 |
| 213TC 215TC | 0.31 | 11.50 | 1.375 | 3.25 | 1.00 | 8.86 | 7.25 | 3.12 | 7.25 | 8.50 | 0.25 | 9.06 | 1/2-13 |
| 254TC 256TC | 0.38 | 12.94 | 1.625 | 3.75 | 1.25 | 10.24 | 8.19 | 3.75 | 7.25 | 8.50 | 0.25 | 9.09 | 1/2-13 |
| 284TC 286TC | 0.50 | 15.57 | 1.875 | 4.38 | 1.50 | 12.62 | 10.25 | 4.38 | 9.00 | 10.50 | 0.25 | 11.21 | 1/2-13 |
| 324TC 326TC | 0.50 | 17.34 | 2.125 | 5.25 | 2.00 | 13.60 | 11.24 | 5.00 | 11.00 | 12.50 | 0.25 | 13.40 | 5/8-11 |

NOTE: Drawings shown are for reference only. Please contact Baldor for a detailed dimensional drawing of the specific motor you require.

Dimensions

841XL and 661XL – TEFC Foot Mounted NEMA 143T - 449T

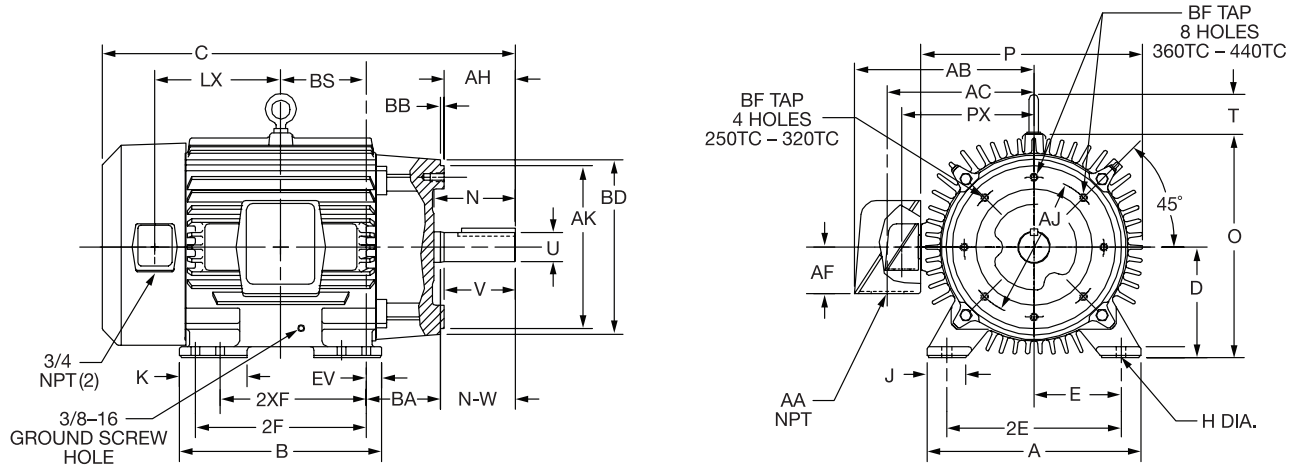


| Frame Size | A | B | D | E | 2F | H | Key | N | O | P | U | V | AA N.P.T. | AB | AC | BA |
|----------------|-------|-------|-------|------|----------------|------|-------|------|-------|-------|-------|------|-----------|-------|-------|------|
| 143T 145T | 6.50 | 5.88 | 3.50 | 2.75 | 4.00 5.00 | 0.38 | 0.19 | 2.50 | 7.48 | 8.00 | 0.875 | 2.25 | 0.75 | 7.16 | 5.05 | 2.25 |
| 182T 184T | 8.62 | 6.50 | 4.50 | 3.75 | 4.50 5.50 | 0.41 | 0.25 | 2.87 | 9.23 | 10.12 | 1.125 | 2.75 | 0.75 | 7.54 | 6.10 | 2.75 |
| 213T 215T | 9.62 | 8.12 | 5.25 | 4.25 | 5.50 7.00 | 0.41 | 0.31 | 3.88 | 10.99 | 12.12 | 1.375 | 3.38 | 1.00 | 9.37 | 7.43 | 3.50 |
| 254T 256T | 11.50 | 11.50 | 6.25 | 5.00 | 8.25 10.00 | 0.53 | 0.38 | 4.31 | 12.88 | 13.26 | 1.625 | 4.00 | 1.25 | 10.53 | 8.59 | 4.25 |
| 284T 286T | 12.75 | 12.84 | 7.00 | 5.50 | 9.50 11.00 | 0.53 | 0.50 | 4.75 | 14.44 | 15.57 | 1.875 | 4.63 | 1.50 | 12.56 | 10.25 | 4.75 |
| 284TS 286TS | 12.75 | 12.84 | 7.00 | 5.50 | 9.50 11.00 | 0.53 | 0.38 | 3.37 | 14.44 | 15.57 | 1.625 | 3.25 | 1.50 | 12.73 | 10.25 | 4.75 |
| 324T 326T | 14.50 | 14.00 | 8.00 | 6.25 | 10.50 12.00 | 0.66 | 0.50 | 5.56 | 16.25 | 17.84 | 2.125 | 5.25 | 2.00 | 14.15 | 11.74 | 5.25 |
| 324TS 326TS | 14.50 | 14.00 | 8.00 | 6.25 | 10.50 12.00 | 0.66 | 0.50 | 4.06 | 16.25 | 17.84 | 1.875 | 3.75 | 2.00 | 14.06 | 11.74 | 5.25 |
| 364T 365T | 17.00 | 15.00 | 9.00 | 7.00 | 11.25 12.25 | 0.69 | 0.63 | 6.47 | 19.12 | 19.88 | 2.375 | 5.62 | 3.00 | 17.77 | 13.82 | 6.03 |
| 364TS 365TS | 17.00 | 15.11 | 9.00 | 7.00 | 11.25 12.25 | 0.69 | 0.50 | 4.34 | 19.19 | 19.71 | 1.875 | 3.50 | 3.00 | 18.27 | 14.32 | 6.03 |
| 404T 405T | 19.00 | 16.00 | 10.00 | 8.00 | 12.25 13.75 | 0.81 | 0.75 | 7.50 | 21.31 | 22.50 | 2.875 | 7.00 | 3.00 | 19.25 | 15.06 | 6.62 |
| 404TS 405TS | 19.00 | 16.00 | 10.00 | 8.00 | 12.25 13.75 | 0.81 | 0.50 | 4.50 | 21.31 | 22.50 | 2.125 | 4.00 | 3.00 | 19.25 | 15.06 | 6.62 |
| 444T 445T | 22.00 | 23.38 | 10.99 | 9.00 | 14.50 16.50 | 0.81 | 0.875 | 8.72 | 24.24 | 26.62 | 3.375 | 8.25 | 3.00 | 23.86 | 18.62 | 7.67 |
| 444TS 445TS | 22.00 | 23.38 | 10.99 | 9.00 | 14.50 16.50 | 0.81 | 0.625 | 4.96 | 24.24 | 26.62 | 2.375 | 4.50 | 4.00 | 23.86 | 18.62 | 7.65 |
| 445T 447T | 22.00 | 27.03 | 10.99 | 9.00 | 16.50 20.00 | 0.81 | 0.875 | 8.59 | 24.24 | 27.57 | 3.375 | 8.25 | 4.00 | 23.86 | 18.62 | 7.66 |
| 445TS 447TS | 22.00 | 27.03 | 10.99 | 9.00 | 16.50 20.00 | 0.81 | 0.625 | 4.84 | 24.24 | 27.57 | 2.375 | 4.50 | 4.00 | 23.86 | 18.62 | 7.68 |
| 447T 449T | 22.00 | 32.03 | 10.99 | 9.00 | 20.00 25.00 | 0.81 | 0.875 | 8.59 | 24.24 | 27.57 | 3.375 | 8.39 | 4.00 | 23.74 | 18.50 | 7.52 |
| 447TS 449TS | 22.00 | 32.03 | 10.99 | 9.00 | 20.00 25.00 | 0.81 | 0.625 | 4.84 | 24.24 | 27.57 | 2.375 | 4.75 | 4.00 | 23.86 | 18.62 | 7.46 |

NOTE: Drawings shown are for reference only. Please contact Baldor for a detailed dimensional drawing of the specific motor you require.

Dimensions

841XL Motors – TEFC C-Face NEMA 143TC - 365TSC



C-Face Foot Mounted

| Frame Size | A | B | D | E | 2F | H | Key | O | P | U | V | AA N.P.T. | AB | AC | AH | AJ | AK | BB | BD | BF Tap | BA |
|------------------|-------|-------|------|------|----------------|------|-------|-------|-------|-------|------|-----------|-------|-------|------|-------|-------|------|-------|--------|------|
| 143TC 145TC | 6.51 | 5.88 | 3.50 | 2.75 | 4.00 5.00 | 0.38 | 0.19 | 7.48 | 8.00 | 0.875 | 2.25 | 0.75 | 6.88 | 5.31 | 2.12 | 5.88 | 4.50 | 0.13 | 6.48 | 3/8-16 | 2.75 |
| 182TC 184TC | 8.62 | 6.50 | 4.50 | 3.75 | 4.50 5.50 | 0.41 | 0.25 | 9.23 | 10.12 | 1.125 | 2.75 | 0.75 | 7.54 | 6.10 | 2.62 | 7.25 | 8.50 | 0.25 | 8.87 | 1/2-13 | 3.50 |
| 213TC 215TC | 9.62 | 8.12 | 5.25 | 4.25 | 5.50 7.00 | 0.41 | 0.31 | 10.99 | 12.18 | 1.375 | 3.37 | 1.00 | 9.37 | 7.43 | 3.12 | 7.25 | 8.50 | 0.25 | 9.06 | 1/2-13 | 4.50 |
| 254TC 256TC | 11.50 | 11.50 | 6.25 | 5.00 | 8.25 10.00 | 0.53 | 0.38 | 12.88 | 13.26 | 1.625 | 4.00 | 1.25 | 10.53 | 8.59 | 3.75 | 7.25 | 8.50 | 0.25 | 9.09 | 1/2-13 | 4.75 |
| 284TC 286TC | 12.75 | 12.84 | 7.00 | 5.50 | 9.50 11.00 | 0.53 | 0.50 | 14.44 | 15.57 | 1.875 | 4.63 | 1.50 | 12.60 | 10.25 | 4.38 | 9.00 | 10.50 | 0.25 | 11.21 | 1/2-13 | 4.75 |
| 284TSC 286TSC | 12.75 | 12.84 | 7.00 | 5.50 | 9.50 11.00 | 0.53 | 0.38 | 14.44 | 15.57 | 1.625 | 3.00 | 1.50 | 12.60 | 10.25 | 3.00 | 9.00 | 10.50 | 0.25 | 11.21 | 1/2-13 | 4.75 |
| 324TC 326TC | 14.50 | 14.00 | 8.00 | 6.25 | 10.50 12.00 | 0.66 | 0.50 | 16.25 | 17.84 | 2.125 | 5.25 | 2.00 | 14.22 | 11.74 | 5.00 | 11.00 | 12.50 | 0.25 | 13.40 | 5/8-11 | 5.25 |
| 324TSC 326TSC | 14.50 | 14.00 | 8.00 | 6.25 | 10.50 12.00 | 0.66 | 0.50 | 16.25 | 17.84 | 1.875 | 3.75 | 2.00 | 14.06 | 11.74 | 3.50 | 11.00 | 12.50 | 0.25 | 13.40 | 5/8-11 | 5.25 |
| 324TC 326TC | 17.00 | 15.00 | 9.00 | 7.00 | 11.25 12.25 | 0.69 | 0.625 | 18.50 | 19.50 | 2.375 | 5.62 | 3.00 | 18.00 | 13.81 | 5.62 | 11.00 | 12.50 | 0.25 | 13.00 | 5/8-11 | 5.88 |
| 324TSC 326TSC | 17.00 | 15.00 | 9.00 | 7.00 | 11.25 12.25 | 0.69 | 0.50 | 18.50 | 19.50 | 1.875 | 3.50 | 3.00 | 18.00 | 13.81 | 3.50 | 11.00 | 12.50 | 0.25 | 13.00 | 5/8-11 | 5.88 |

NOTE: Drawings shown are for reference only. Please contact Baldor for a detailed dimensional drawing of the specific motor you require.

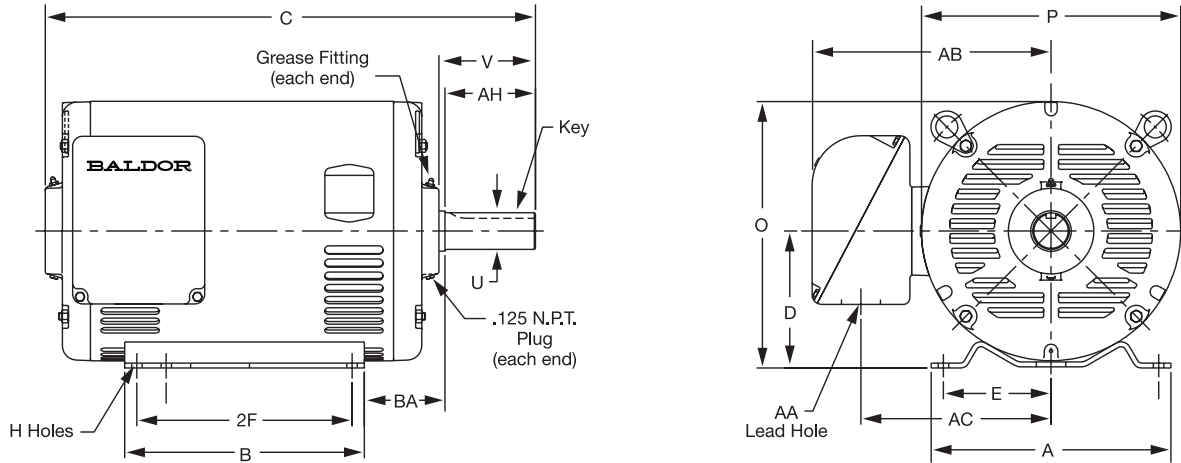
C-Face Footless

| NEMA Frame | Key | P | U | V | AA N.P.T. | AB | AC | AH | AJ | AK | BB | BD | BF Tap |
|----------------|------|-------|-------|------|-----------|-------|------|------|------|------|------|------|--------|
| 143TC 145TC | 0.19 | 8.00 | 0.875 | 2.25 | 0.75 | 6.36 | 5.31 | 2.12 | 5.88 | 4.50 | 0.13 | 6.47 | 3/8-16 |
| 182TC 184TC | 0.25 | 10.12 | 1.125 | 2.75 | 0.75 | 7.54 | 6.06 | 2.62 | 7.25 | 8.50 | 0.25 | 8.87 | 1/2-13 |
| 213TC 215TC | 0.31 | 12.12 | 1.375 | 3.12 | 1.00 | 9.37 | 7.43 | 3.12 | 7.25 | 8.50 | 0.25 | 9.06 | 1/2-13 |
| 254TC 256TC | 0.38 | 12.94 | 1.625 | 3.75 | 1.25 | 10.22 | 8.26 | 3.75 | 7.25 | 8.50 | 0.25 | 9.09 | 1/2-13 |

NOTE: Drawings shown are for reference only. Please contact Baldor for a detailed dimensional drawing of the specific motor you require.

Dimensions

Steel Band Construction – Open Drip-Proof Foot Mounted NEMA 56 through 405TS

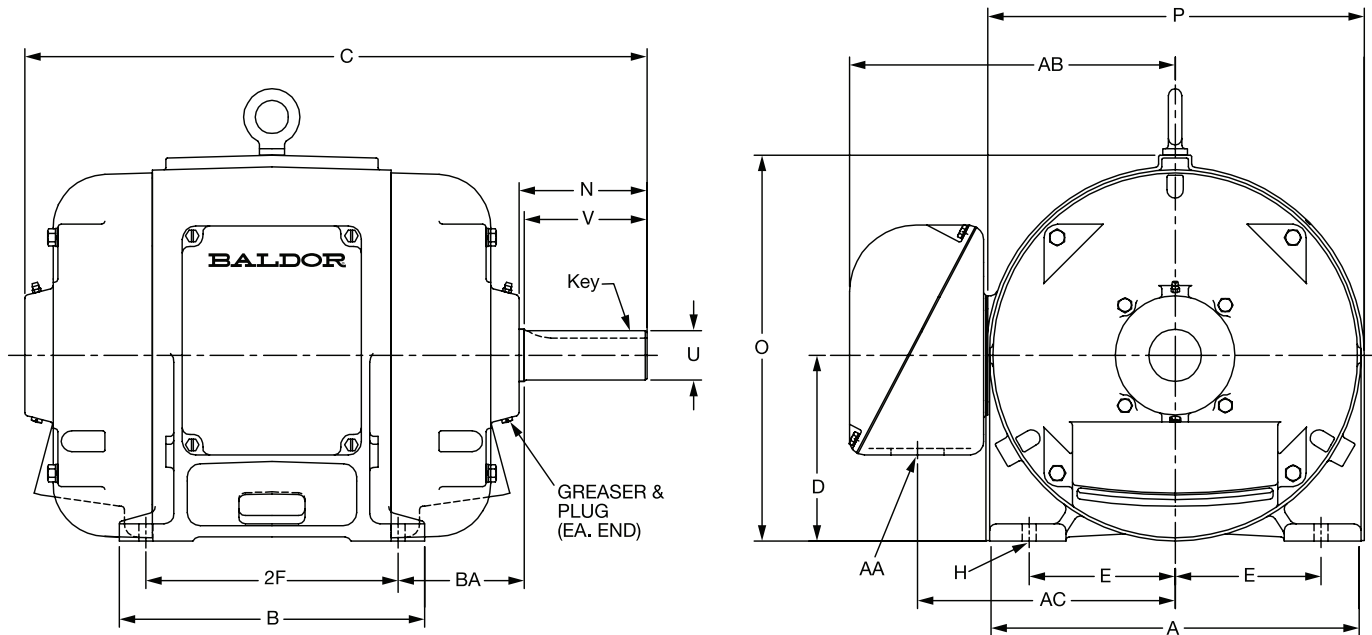


| NEMA Frame | A | B | D | E | 2F | H | Key | N | O | P | U | V | AA | AB | AC | BA |
|----------------|-------|-------|-------|------|----------------|------|------|------|-------|-------|-------|------|------|-------|-------|------|
| 56 | 6.50 | 4.50 | 3.50 | 2.44 | 3.00 | 0.34 | 0.19 | 2.44 | 6.81 | 6.62 | 0.625 | 1.88 | 0.88 | 5.61 | 4.56 | 2.75 |
| 143T 145T | 6.50 | 5.94 | 3.50 | 2.75 | 4.00 5.00 | 0.34 | 0.19 | 2.50 | 6.81 | 6.62 | 0.875 | 2.25 | 0.88 | 5.61 | 4.56 | 2.25 |
| 182T 184T | 8.63 | 6.50 | 4.50 | 3.75 | 4.50 5.50 | 0.41 | 0.25 | 3.56 | 8.44 | 7.88 | 1.125 | 2.75 | 1.09 | 6.75 | 5.70 | 2.75 |
| 213T 215T | 9.50 | 8.00 | 5.25 | 4.25 | 5.50 7.00 | 0.41 | 0.31 | 3.88 | 10.03 | 9.57 | 1.375 | 3.38 | 1.38 | 7.93 | 6.73 | 3.50 |
| 254T 256T | 11.25 | 11.25 | 6.25 | 5.00 | 8.25 10.00 | 0.53 | 0.38 | 4.31 | 12.00 | 11.69 | 1.625 | 4.00 | 1.38 | 9.49 | 7.69 | 4.25 |
| 284T 286T | 12.25 | 12.25 | 7.00 | 5.50 | 9.50 11.00 | 0.53 | 0.50 | 4.94 | 13.63 | 13.25 | 1.625 | 4.63 | 2.00 | 12.33 | 9.78 | 4.75 |
| 284TS 286TS | 12.25 | 12.25 | 7.00 | 5.50 | 9.50 11.00 | 0.53 | 0.38 | 3.56 | 13.63 | 13.25 | 1.625 | 3.25 | 2.00 | 12.33 | 9.78 | 4.75 |
| 324T 326T | 14.04 | 13.50 | 8.00 | 6.25 | 10.50 12.00 | 0.66 | 0.50 | 5.56 | 15.59 | 15.19 | 2.125 | 5.25 | 2.50 | 13.32 | 10.77 | 5.25 |
| 324TS 326TS | 14.04 | 13.50 | 8.00 | 6.25 | 10.50 12.00 | 0.66 | 0.50 | 4.06 | 15.59 | 15.19 | 1.875 | 3.75 | 2.00 | 13.22 | 10.71 | 5.25 |
| 364T 365T | 15.75 | 14.00 | 9.00 | 7.00 | 11.25 12.25 | 0.66 | 0.62 | 6.06 | 16.59 | 15.12 | 2.375 | 5.88 | 3.62 | 13.20 | 10.71 | 5.88 |
| 364TS 365TS | 15.75 | 14.00 | 9.00 | 7.00 | 11.25 12.25 | 0.66 | 0.50 | 3.94 | 16.59 | 15.19 | 1.875 | 3.75 | 3.62 | 13.20 | 10.71 | 5.88 |
| 404T 405T | 18.49 | 16.62 | 10.00 | 8.00 | 12.25 13.75 | 0.81 | 0.75 | 7.44 | 18.41 | 16.81 | 2.875 | 7.25 | 3.62 | 16.39 | 12.75 | 6.63 |
| 404TS 405TS | 18.49 | 16.62 | 10.00 | 8.00 | 12.25 13.75 | 0.81 | 0.50 | 4.44 | 18.41 | 16.81 | 2.125 | 4.25 | 3.62 | 16.39 | 12.75 | 6.63 |

NOTE: Drawings shown are for reference only. Please contact Baldor for a detailed dimensional drawing of the specific motor you require.

Dimensions

Cast Iron Construction – Open Drip-Proof Foot Mounted NEMA 254T - 449T

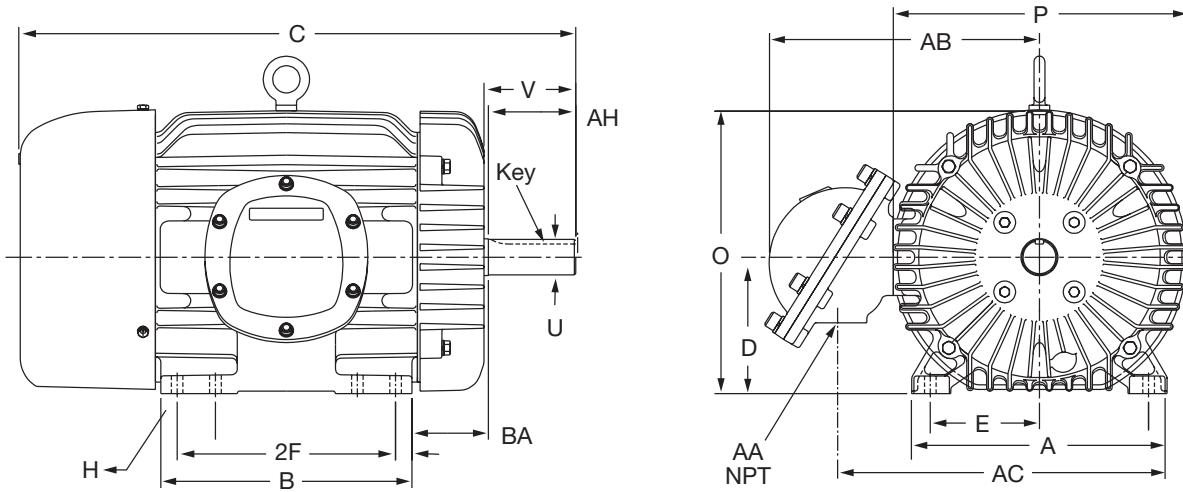


| NEMA Frame | A | B | D | E | 2F | H | Key | N | O | P | U | V | AA | AB | AC | BA |
|----------------|-------|-------|-------|------|----------------|------|-------|------|-------|-------|-------|------|------|-------|-------|------|
| 254T | 12.63 | 9.75 | 6.25 | 5.00 | 8.25 | 0.53 | 0.38 | 4.22 | 13.11 | 12.63 | 1.625 | 4.00 | 1.38 | 9.37 | 7.94 | 4.25 |
| 256T | 12.63 | 11.50 | 6.25 | 5.00 | 10.00 | 0.53 | 0.38 | 4.22 | 13.11 | 12.88 | 1.625 | 4.00 | 1.38 | 9.62 | 8.19 | 4.25 |
| 284T | 13.88 | 11.50 | 7.00 | 5.50 | 9.50 | 0.53 | 0.50 | 4.82 | 14.56 | 14.06 | 1.875 | 4.63 | 2.00 | 12.27 | 9.72 | 4.75 |
| 286T | 13.88 | 13.00 | 7.00 | 5.50 | 11.00 | 0.53 | 0.50 | 4.75 | 14.56 | 14.06 | 1.875 | 4.63 | 2.00 | 12.15 | 9.66 | 4.75 |
| 286TS | 13.88 | 13.00 | 7.00 | 5.50 | 11.00 | 0.53 | 0.38 | 3.44 | 14.56 | 14.06 | 1.625 | 3.25 | 2.00 | 12.15 | 9.66 | 4.75 |
| 324T | 15.88 | 12.88 | 8.00 | 6.25 | 10.50 | 0.66 | 0.50 | 5.38 | 16.68 | 16.21 | 2.125 | 5.25 | 2.00 | 13.19 | 10.70 | 5.25 |
| 324TS | 15.88 | 13.00 | 8.00 | 6.25 | 10.50 | 0.66 | 0.50 | 3.87 | 16.68 | 16.21 | 1.875 | 3.75 | 2.00 | 13.19 | 10.70 | 5.25 |
| 326T | 15.88 | 14.50 | 8.00 | 6.25 | 12.00 | 0.66 | 0.50 | 5.38 | 16.68 | 16.21 | 2.125 | 5.25 | 2.00 | 13.19 | 10.70 | 5.25 |
| 364T 365T | 17.00 | 14.25 | 9.00 | 7.00 | 11.25 12.25 | 0.69 | 0.625 | 6.12 | 18.30 | 19.56 | 2.375 | 5.62 | 3.00 | 18.06 | 14.00 | 5.88 |
| 364TS 365TS | 17.00 | 14.25 | 9.00 | 7.00 | 11.25 12.25 | 0.69 | 0.50 | 4.00 | 18.30 | 19.56 | 1.875 | 3.50 | 3.00 | 18.06 | 14.00 | 5.88 |
| 404T 405T | 19.00 | 16.00 | 10.00 | 8.00 | 12.25 13.75 | 0.81 | 0.75 | 7.62 | 20.56 | 21.81 | 2.875 | 7.00 | 3.00 | 19.06 | 15.00 | 6.62 |
| 404TS 405TS | 19.00 | 16.00 | 10.00 | 8.00 | 12.25 13.75 | 0.81 | 0.50 | 4.62 | 20.56 | 21.81 | 2.125 | 4.00 | 3.00 | 19.06 | 15.00 | 6.62 |
| 444T 445T | 21.00 | 19.00 | 11.00 | 9.00 | 14.50 16.50 | 0.81 | 0.875 | 8.94 | 22.91 | 23.62 | 3.375 | 8.25 | 3.00 | 22.62 | 17.38 | 7.50 |
| 444TS 445TS | 21.00 | 19.00 | 11.00 | 9.00 | 14.50 16.50 | 0.81 | 0.625 | 5.19 | 22.91 | 23.62 | 2.375 | 4.50 | 3.00 | 22.62 | 17.38 | 7.50 |
| 447T | 21.00 | 22.50 | 11.00 | 9.00 | 20.00 | 0.81 | 0.875 | 8.94 | 24.25 | 24.25 | 3.375 | 8.25 | 4.00 | 22.75 | 17.50 | 7.50 |
| 447TS | 21.00 | 22.50 | 11.00 | 9.00 | 20.00 | 0.81 | 0.625 | 5.19 | 24.25 | 24.25 | 2.375 | 4.50 | 4.00 | 22.75 | 17.50 | 7.50 |
| 449T | 21.00 | 27.50 | 11.00 | 9.00 | 25.00 | 0.81 | 0.875 | 8.94 | 24.25 | 24.25 | 3.375 | 8.39 | 4.00 | 22.75 | 17.50 | 7.50 |
| 449TS | 21.00 | 27.50 | 11.00 | 9.00 | 25.00 | 0.81 | 0.625 | 5.19 | 24.25 | 24.25 | 2.375 | 4.50 | 4.00 | 22.75 | 17.50 | 7.50 |

NOTE: Drawings shown are for reference only. Please contact Baldor for a detailed dimensional drawing of the specific motor you require.

Dimensions

Explosion Proof – TEFC Foot Mounted NEMA 143T - 365T



| NEMA Frame | A | B | D | E | 2F | H | Key | N | O | P | U | V | AA | AB | AC | BA |
|--------------------------------|-------|-------|------|------|----------------|------|------|------|-------|-------|-------|------|------|--|--|------|
| Steel Band Construction | | | | | | | | | | | | | | | | |
| 143T 145T | 6.50 | 5.94 | 3.50 | 2.75 | 4.00 5.00 | 0.34 | 0.19 | 2.46 | 7.09 | 6.69 | 0.875 | 2.25 | 0.75 | 6.92 | 5.38 | 2.25 |
| Cast Iron Construction | | | | | | | | | | | | | | | | |
| 143T 145T | 6.50 | 8.47 | 3.50 | 2.75 | 4.00 5.00 | 0.37 | 0.19 | 2.38 | 7.84 | 8.56 | 0.875 | 2.25 | 0.75 | 8.07 | 6.59 | 2.25 |
| 182T 184T | 8.63 | 8.00 | 4.50 | 3.75 | 4.50 5.50 | 0.41 | 0.25 | 3.26 | 9.56 | 10.09 | 1.125 | 2.75 | 0.75 | 8.56 | 6.53 | 2.75 |
| 213T 215T | 9.75 | 8.00 | 5.25 | 4.25 | 5.50 7.00 | 0.41 | 0.31 | 3.47 | 10.75 | 11.00 | 1.375 | 3.38 | 0.75 | 9.66 | 7.62 | 3.50 |
| 254T 256T | 11.50 | 11.50 | 6.25 | 5.00 | 8.25 10.00 | 0.53 | 0.38 | 4.20 | 12.94 | 13.38 | 1.625 | 4.00 | 1.25 | 11.21 ¹ 12.62 ² | 8.57 ¹ 9.49 ² | 4.25 |
| 284T 286T | 12.76 | 12.75 | 7.00 | 5.50 | 9.50 11.00 | 0.53 | 0.50 | 4.88 | 14.74 | 15.54 | 1.875 | 4.63 | 1.25 | 14.33 ¹ 16.52 ² | 10.69 ¹ 11.57 ² | 4.75 |
| 324T 326T | 14.50 | 14.00 | 8.00 | 6.25 | 10.50 12.00 | 0.66 | 0.50 | 5.44 | 16.68 | 17.40 | 2.125 | 5.25 | 1.50 | 15.21 ¹ 17.55 ² | 11.60 ¹ 12.48 ² | 5.25 |
| 364T 365T | 16.50 | 14.50 | 9.00 | 7.00 | 11.25 12.25 | 0.66 | 0.62 | 6.13 | 18.44 | 19.13 | 2.375 | 5.88 | 3.00 | 19.85 ² | 14.13 ² | 5.88 |

NOTE: ¹ Class I, Group C & D, Class II Group F & G

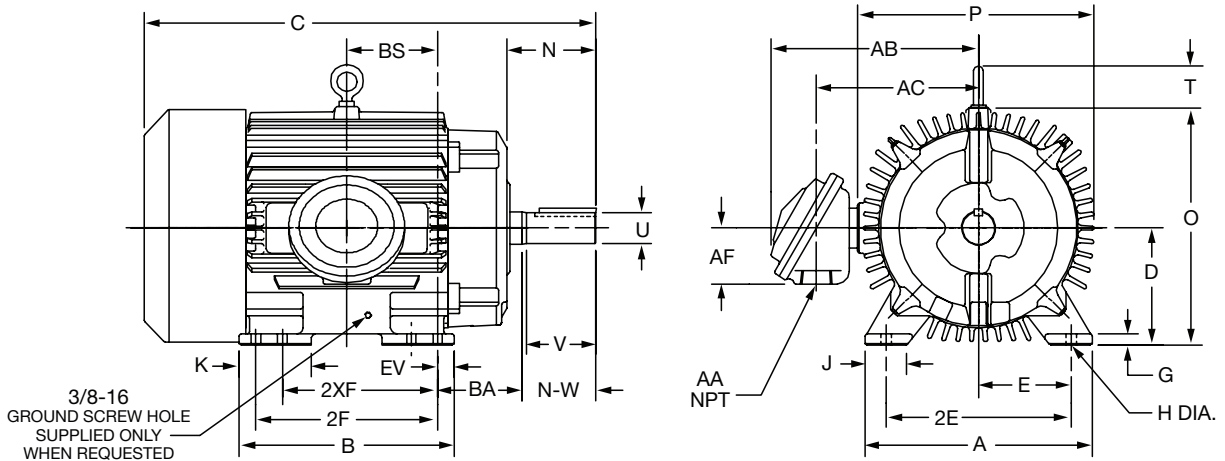
² Class I Group D, Class II Group F & G

Drawings shown are for reference only. Contact Baldor for a detailed dimensional drawing of the specific motor you require.

Drawings may also be available from our CD-ROM or at www.baldor.com.

Dimensions

Severe Duty Explosion Proof – TEFC Foot Mounted NEMA 182T - 445T

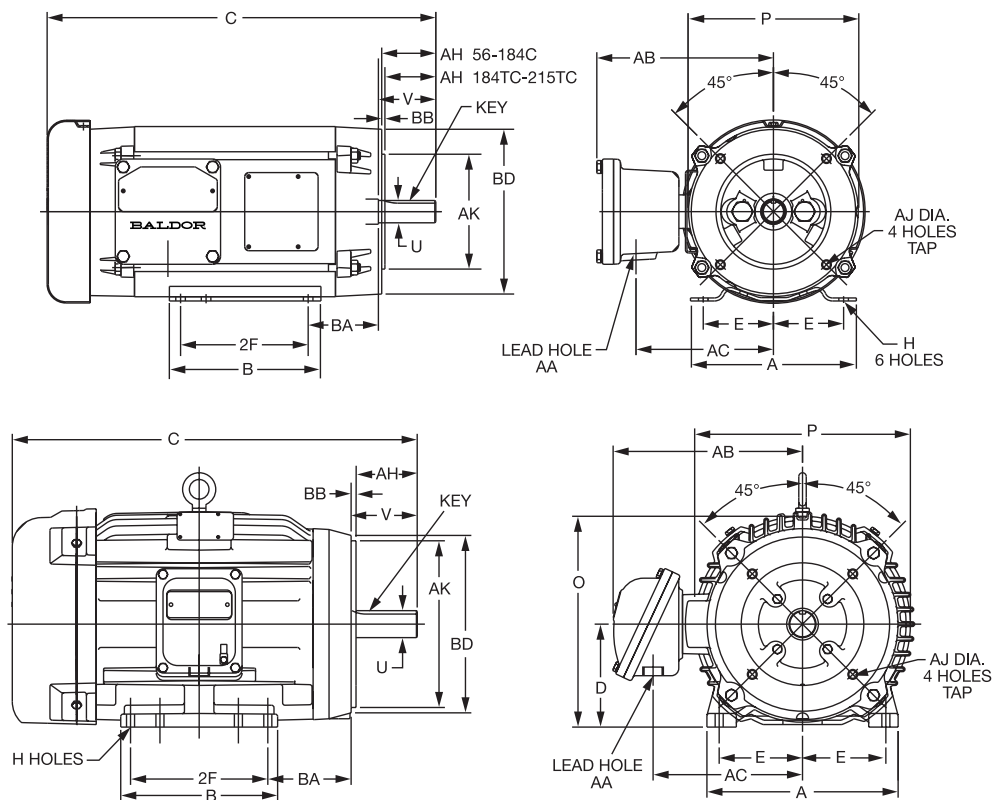


| Frame Size | A | B | C | D | E | 2F | H | KEY | N | O | P | U | V | AA | AB | AC | AF | BA | Wgt. Lbs. |
|----------------|-------|-------|-------|------|------|----------------|------|-------|------|-------|-------|-------|------|------|-------|-------|------|------|--------------|
| L182T L184T | 9 | 8.5 | 17.12 | 4.5 | 3.75 | 4.5 5.5 | 0.44 | 0.188 | 2.81 | 9.88 | 9.25 | 1.125 | 2.5 | 1 | 9.5 | 6.94 | 2.5 | 2.75 | 110 115 |
| 213T 215T | 10.5 | 8.5 | 19.25 | 5.25 | 4.25 | 5.5 7.0 | 0.44 | 0.25 | 3.44 | 11.25 | 10.5 | 1.375 | 3.12 | 1 | 10.5 | 7.81 | 2.5 | 3.5 | 130 140 |
| L213T L215T | 10.5 | 9.12 | 20.12 | 5.25 | 4.25 | 5.5 7.0 | 0.44 | 0.25 | 3.44 | 11.25 | 10.5 | 1.375 | 3.12 | 1 | 10.5 | 7.81 | 2.5 | 3.5 | 170 180 |
| 254T 256T | 12.5 | 12 | 24.56 | 6.25 | 5 | 8.25 10 | 0.56 | 0.375 | 4.06 | 13.25 | 13.25 | 1.625 | 3.75 | 1.25 | 12.38 | 9.69 | 3.38 | 4.25 | 335 345 |
| 284T 286T | 13.75 | 13 | 27.44 | 7 | 5.5 | 9.5 11 | 0.56 | 0.5 | 4.69 | 14.75 | 14.88 | 1.875 | 4.38 | 1.5 | 13.25 | 10.56 | 3.38 | 4.75 | 495 510 |
| 324T 326T | 15.5 | 14.75 | 30.44 | 8 | 6.25 | 10.5 12 | 0.69 | 0.5 | 5.62 | 16.69 | 17 | 2.125 | 5 | 2 | 17.06 | 12.5 | 4.25 | 5.25 | 610 650 |
| 364T 365T | 17 | 15 | 33.44 | 9 | 7 | 11.25 12.25 | 0.69 | 0.625 | 6 | 18.5 | 19.5 | 2.375 | 5.62 | 3 | 18.81 | 14.25 | 4.25 | 5.88 | 910 950 |
| 404T 405T | 19 | 16 | 38.31 | 10 | 8 | 12.25 13.75 | 0.81 | 0.75 | 7.5 | 21.31 | 22.5 | 2.875 | 7 | 3 | 20.5 | 15.88 | 4.25 | 6.62 | 1300 1335 |
| 444T 445T | 21 | 19 | 44.62 | 11 | 9 | 14.5 16.5 | 0.81 | 0.875 | 8.94 | 23.38 | 25.25 | 3.375 | 8.25 | 3 | 26.25 | 20.38 | 6 | 7.5 | 1770 1960 |

NOTE: Drawings shown are for reference only. Please contact Baldor for a detailed dimensional drawing of the specific motor you require.

Dimensions

C-Face Explosion-Proof Motors



Rolled Steel Construction

| NEMA Frame | A | B | D | E | 2F | H | O | P | U | V | AA | AB | AC | AH | AJ | AK | BA | BB | BD | Tap |
|------------------|----------------|----------------|------|------|--------------|------|----------------|----------------|------|------|------|----------------|----------------|------|------|------|------|------|----------------|--------|
| 400(Type) 56C | (6.56) 6.50 | (4.25) 4.50 | 3.50 | 2.44 | 3.00 | 0.34 | (6.60) 7.09 | (5.78) 6.69 | 0.62 | 1.88 | 0.50 | (6.50) 6.92 | (4.96) 5.38 | 2.06 | 5.88 | 4.50 | 2.75 | 0.12 | (5.90) 6.46 | 3/8-16 |
| 143TC 145TC | 6.50 | 5.94 | 3.50 | 2.75 | 4.00 5.00 | 0.34 | 7.09 | 6.69 | 0.87 | 2.25 | 0.75 | 6.92 | 5.38 | 2.12 | 5.88 | 4.50 | 2.75 | 0.13 | 6.46 | 3/8-16 |
| 182C 184C | 8.63 | 6.50 | 4.50 | 3.75 | 4.50 5.50 | 0.41 | 8.44 | 8.00 | 0.87 | 2.25 | 0.75 | 7.52 | 5.98 | 2.12 | 5.88 | 4.50 | 2.75 | 0.13 | 6.38 | 3/8-16 |
| 182TC 184TC | 8.63 | 6.50 | 4.50 | 3.75 | 4.50 5.50 | 0.41 | 9.00 | 8.03 | 1.12 | 2.75 | 0.75 | 7.52 | 5.98 | 2.62 | 7.25 | 8.50 | 2.75 | 0.25 | 8.98 | 1/2-13 |
| 213C 215C | 9.50 | 8.00 | 5.25 | 4.25 | 5.50 7.00 | 0.41 | 10.10 | 9.69 | 1.12 | 3.00 | 0.75 | 8.37 | 6.83 | 2.75 | 7.25 | 8.50 | 3.50 | 0.25 | 9.00 | 1/2-13 |
| 213TC 215TC | 9.50 | 8.00 | 5.25 | 4.25 | 5.50 7.00 | 0.41 | 10.03 | 9.69 | 1.37 | 3.37 | 0.75 | 8.37 | 6.83 | 3.12 | 7.25 | 8.50 | 4.25 | 0.25 | 9.04 | 1/2-13 |

Cast Iron Construction

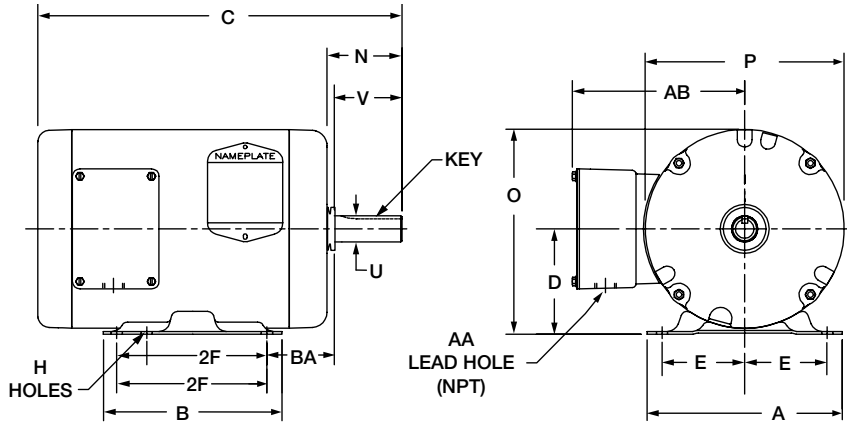
| NEMA Frame | A | B | D | E | 2F | H | O | P | U | V | AA | AB | AC | AH | AJ | AK | BA | BB | BD | Tap |
|------------------|-------|-------|------|------|----------------|------|-------|-------|------|------|------|-------|-------|------|-------|-------|------|------|-------|--------|
| 213TC 215TC | 9.75 | 8.00 | 5.25 | 4.25 | 5.50 7.00 | 0.41 | 10.75 | 11.00 | 1.37 | 3.38 | 0.75 | 9.66 | 7.62 | 3.12 | 7.25 | 8.50 | 4.25 | 0.25 | 9.05 | 1/2-13 |
| 254TC 256TC | 11.50 | 11.50 | 6.25 | 5.00 | 8.25 10.00 | 0.53 | 12.94 | 13.44 | 1.62 | 4.00 | 1.25 | 11.19 | 8.57 | 3.75 | 7.25 | 8.50 | 4.75 | 0.25 | 9.13 | 1/2-13 |
| 284TCS 286TCS | 12.76 | 12.75 | 7.00 | 5.50 | 9.50 11.00 | 0.53 | 14.75 | 15.54 | 1.62 | 3.25 | 1.25 | 14.37 | 10.69 | 3.00 | 9.00 | 10.50 | 4.75 | 0.25 | 11.15 | 1/2-13 |
| 284TC 286TC | 12.76 | 12.75 | 7.00 | 5.50 | 9.50 11.00 | 0.53 | 14.75 | 15.54 | 1.87 | 4.62 | 1.25 | 14.37 | 10.69 | 4.37 | 9.00 | 10.50 | 4.75 | 0.25 | 11.15 | 1/2-13 |
| 324TC 326TC | 14.50 | 14.00 | 8.00 | 6.25 | 10.50 12.00 | 0.65 | 16.68 | 17.46 | 2.12 | 5.25 | 1.50 | 15.25 | 11.60 | 5.00 | 11.00 | 12.50 | 5.25 | 0.25 | 13.38 | 5/8-11 |

NOTE: Drawings shown are for reference only. Please contact Baldor for a detailed dimensional drawing of the specific motor you require.

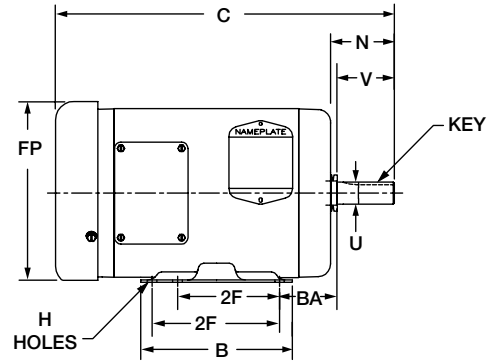
Dimensions

Washdown Motors – TENV & TEFC Foot Mounted & C-Face NEMA 56 - 256TC

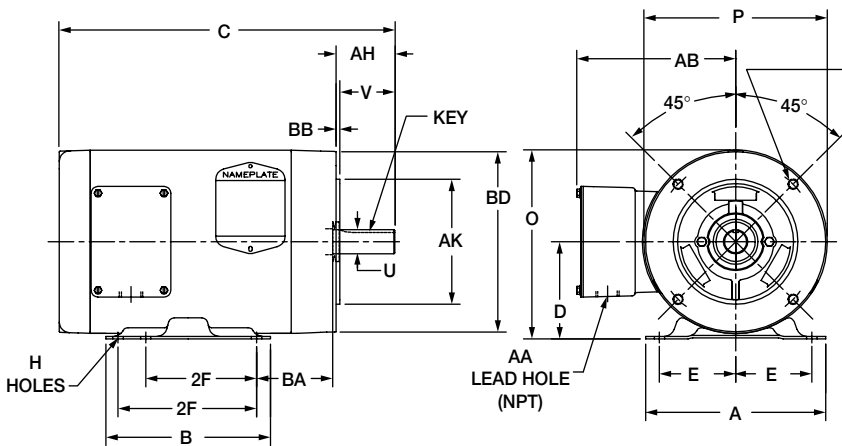
TENV Enclosure



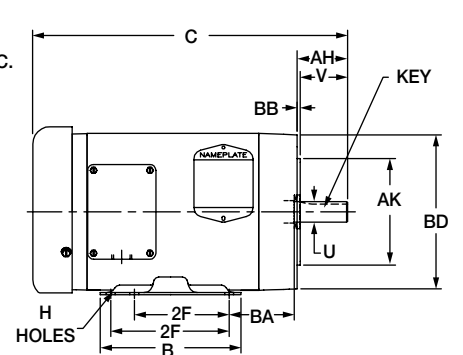
TEFC Enclosure



TENV Enclosure



TEFC Enclosure



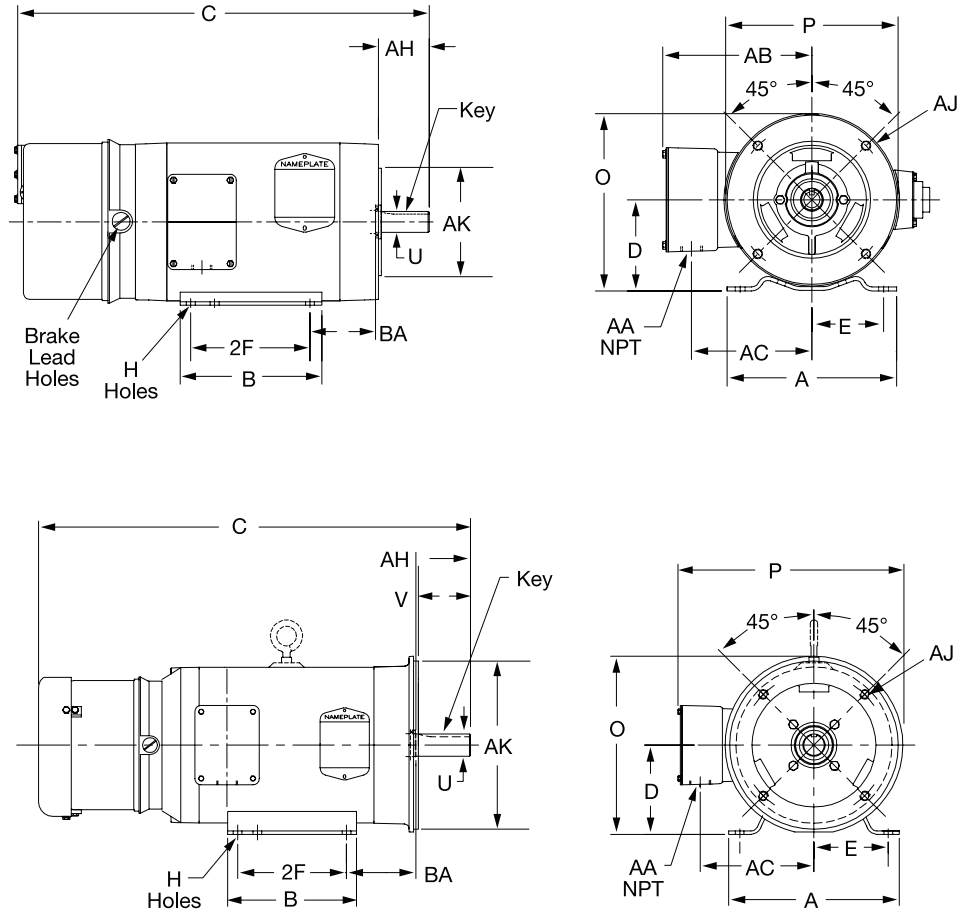
Catalog No. starting with "C" = C-face with base.
Catalog No. starting with "V" = C-face, no base.

| NEMA Frame | A | B | D | E | 2F | H | N | O | P | U | V | AA | AB | AH | AJ | BF TAP | AK | BA | BB | BD |
|----------------|-------|-------|------|------|---------------|------|-----------|-------|-------|-------|------|------|------|-----------|-----------|--------|-----------|--------------|-----------|-----------|
| 56 56C | 6.50 | 4.50 | 3.50 | 2.44 | 3.00 | 0.34 | 2.44 — | 6.81 | 6.62 | 0.625 | 1.88 | 0.50 | 5.22 | — 2.06 | — 5.88 | 3/8-16 | — 4.50 | 2.75 | — 0.12 | — 6.50 |
| 143T 143TC | 6.50 | 5.94 | 3.50 | 2.75 | 4.00 | 0.34 | 2.50 — | 6.81 | 6.62 | 0.875 | 2.25 | 0.50 | 5.22 | — 2.12 | — 5.88 | 3/8-16 | — 4.50 | 2.25 2.75 | — 0.12 | — 6.50 |
| 145T 145TC | 6.50 | 5.94 | 3.50 | 2.75 | 5.00 | 0.34 | 2.50 — | 6.81 | 6.62 | 0.875 | 2.25 | 0.50 | 5.22 | — 2.12 | — 5.88 | 3/8-16 | — 4.50 | 2.25 2.75 | — 0.12 | — 6.50 |
| 182T 182TC | 8.63 | 6.50 | 4.50 | 3.75 | 4.50 | 0.41 | 3.56 — | 8.44 | 7.88 | 1.125 | 2.75 | 0.75 | 5.97 | — 2.62 | — 7.25 | 1/2-13 | — 8.50 | 2.75 3.50 | — 0.25 | — 8.89 |
| 184T 184TC | 8.63 | 6.50 | 4.50 | 3.75 | 5.50 | 0.41 | 3.56 — | 8.44 | 7.88 | 1.125 | 2.75 | 0.75 | 5.97 | — 2.62 | — 7.25 | 1/2-13 | — 8.50 | 2.75 3.50 | — 0.25 | — 8.89 |
| 213T 213TC | 9.50 | 8.00 | 5.25 | 4.25 | 5.50 | 0.41 | 3.88 — | 10.03 | 9.56 | 1.375 | 3.37 | 0.75 | 8.06 | — 3.12 | — 7.25 | 1/2-13 | — 8.50 | 3.50 4.50 | — 0.25 | — 9.04 |
| 215T 215TC | 9.50 | 8.00 | 5.25 | 4.25 | 7.00 | 0.41 | 3.88 — | 10.03 | 9.56 | 1.375 | 3.37 | 0.75 | 8.06 | — 3.12 | — 7.25 | 1/2-13 | — 8.50 | 3.50 4.50 | — 0.25 | — 9.04 |
| 254TC 256TC | 11.25 | 11.25 | 6.25 | 5.00 | 8.25 10.00 | 0.53 | — | 12.00 | 12.43 | 1.625 | 4.00 | 1.25 | 9.73 | 3.75 | 7.25 | 1/2-13 | 8.50 | 4.75 | 0.25 | 9.44 |

NOTE: Dimension for reference only. Contact a Baldor District Office or www.baldor.com for the detailed dimension drawing for your specific catalog number.

Dimensions

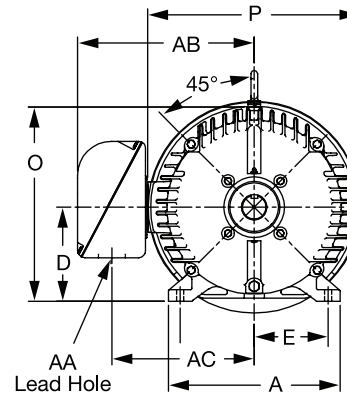
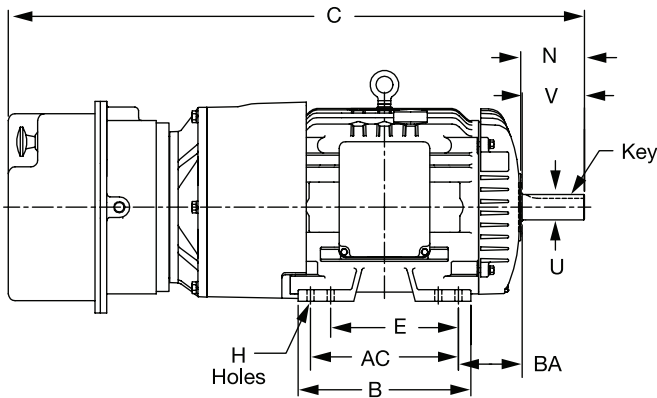
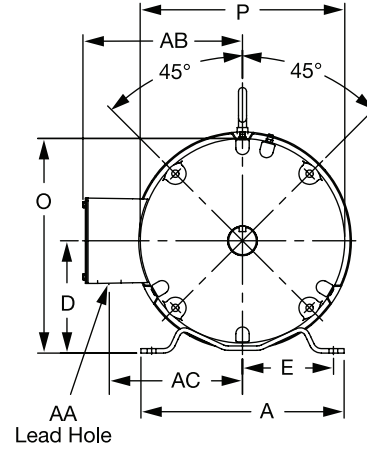
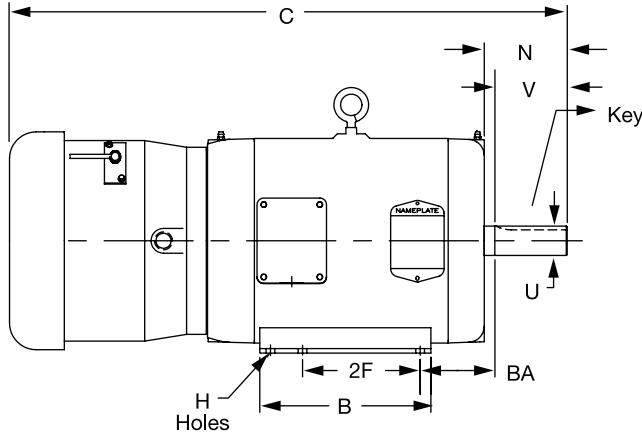
Washdown Brake Motors C-Face Foot Mounted NEMA 56C - 184TC



| | NEMA Frame | A | B | D | E | 2F | H | Key | O | P | U | V | AA | AB | AC | AH | AJ | AK | BB | Tap BF | BA |
|-------------|----------------|------|------|------|------|--------------|-----------|------|------|------|-------|------|----------|------|------|------|------|------|------|---------|------|
| CEWDBM TENV | 56C | 6.50 | 4.50 | 3.50 | 2.44 | 3.00 | 0.34 Slot | 0.19 | 6.75 | 6.63 | 0.625 | 1.88 | 0.50 NPT | 5.74 | 4.62 | 2.06 | 5.88 | 4.50 | 0.12 | 0.38-16 | 2.75 |
| CEWDBM TENV | 143TC 145TC | 6.50 | 5.94 | 3.50 | 2.75 | 4.00 5.00 | 0.34 | 0.19 | 6.81 | 6.62 | 0.875 | 2.13 | 0.50 NPT | 5.73 | 4.62 | 2.13 | 5.88 | 4.50 | 0.12 | 0.38-16 | 2.75 |
| CEWDBM TEFC | 143TC 145TC | 6.50 | 5.94 | 3.50 | 2.75 | 4.00 5.00 | 0.34 | 0.19 | 6.81 | 6.69 | 0.875 | 2.13 | 0.50 NPT | 5.73 | 4.62 | 2.12 | 5.88 | 4.50 | 0.12 | 0.38-16 | 2.75 |
| CEWDBM TEFC | 182TC 184TC | 8.63 | 6.50 | 4.50 | 3.75 | 4.50 5.50 | 0.41 | 0.25 | 8.99 | 7.89 | 1.125 | 2.75 | 0.75 NPT | 5.88 | 5.75 | 2.62 | 7.25 | 8.50 | 0.25 | 0.50-13 | 3.50 |

Dimensions

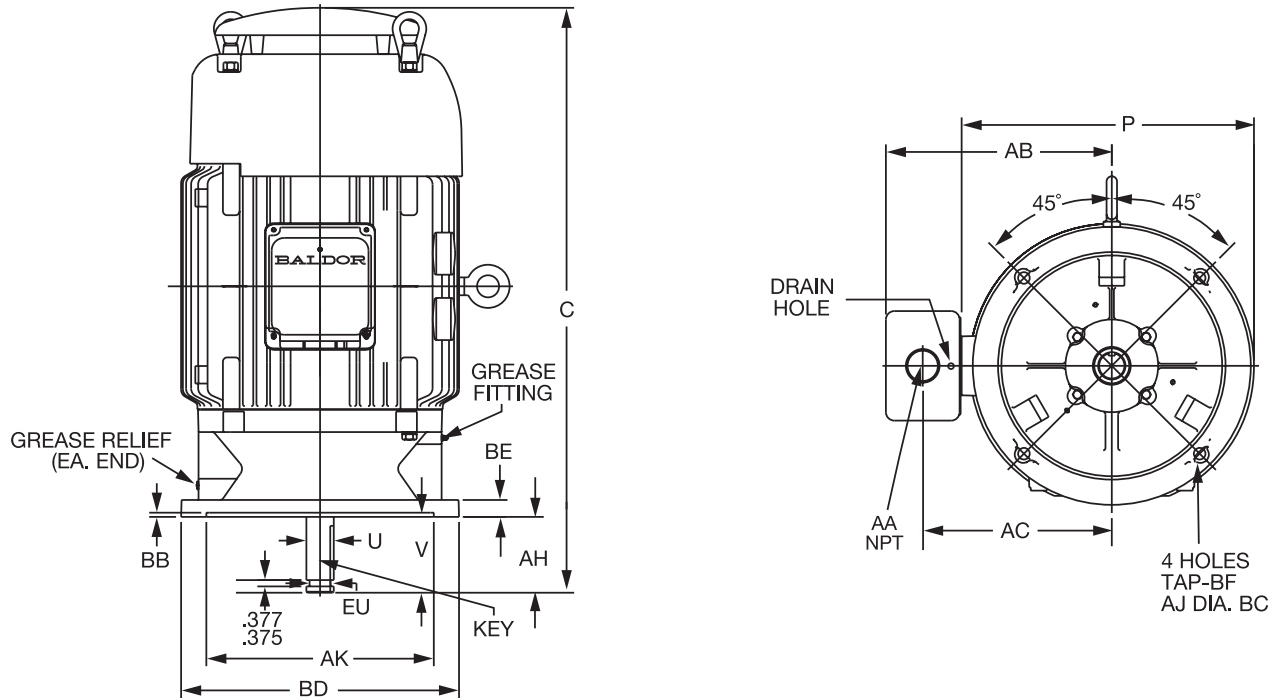
Brake Motors Foot Mounted NEMA 56 - 286T



| | NEMA Frame | A | B | D | E | 2F | H | Key | N | O | P | U | V | AA | AB | AC | BA |
|--------------------------------|--------------|-------|-------|------|------|---------------|-----------|------|------|-------|-------|-------|------|------|-------|-------|------|
| Steel Band Construction | | | | | | | | | | | | | | | | | |
| EBM TENV | 56 | 6.50 | 4.50 | 3.50 | 2.44 | 3.00 | 0.34 Slot | 0.19 | 2.44 | 6.81 | 6.63 | 0.625 | 1.88 | 0.88 | 5.75 | 4.62 | 2.75 |
| EBM TEFC | 143T 145T | 6.50 | 5.94 | 3.50 | 2.75 | 4.00 5.00 | 0.34 | 0.19 | 2.50 | 6.81 | 6.62 | 0.875 | 2.25 | 0.88 | 5.22 | 4.18 | 2.75 |
| EBM TEFC | 182T 184T | 8.63 | 6.50 | 4.50 | 3.75 | 4.50 5.50 | 0.41 | 0.25 | 3.56 | 8.44 | 7.89 | 1.125 | 2.75 | 1.09 | 5.97 | 4.94 | 2.75 |
| EBM TEFC | 213T 215T | 9.50 | 8.00 | 5.25 | 4.25 | 5.50 7.00 | 0.41 | 0.31 | 3.88 | 10.03 | 9.56 | 1.375 | 3.38 | 1.09 | 8.05 | 6.79 | 3.50 |
| Cast Iron | | | | | | | | | | | | | | | | | |
| EBM TEFC | 254T 256T | 11.50 | 11.50 | 6.25 | 5.00 | 8.25 10.00 | 0.53 | .038 | 4.32 | 12.88 | 12.94 | 1.625 | 4.00 | 1.38 | 9.49 | 7.99 | 4.25 |
| EBM TEFC | 284T 286T | 12.75 | 12.84 | 7.00 | 5.50 | 9.50 11.00 | 0.53 | 0.5 | 4.75 | 14.44 | 15.72 | 1.875 | 4.63 | 2.00 | 13.11 | 10.56 | 4.75 |

Dimensions

P-Base Vertical Solid Shaft Pump Motors Cast Iron Construction – TEFC NEMA 182HP - 365HP (Normal Thrust)

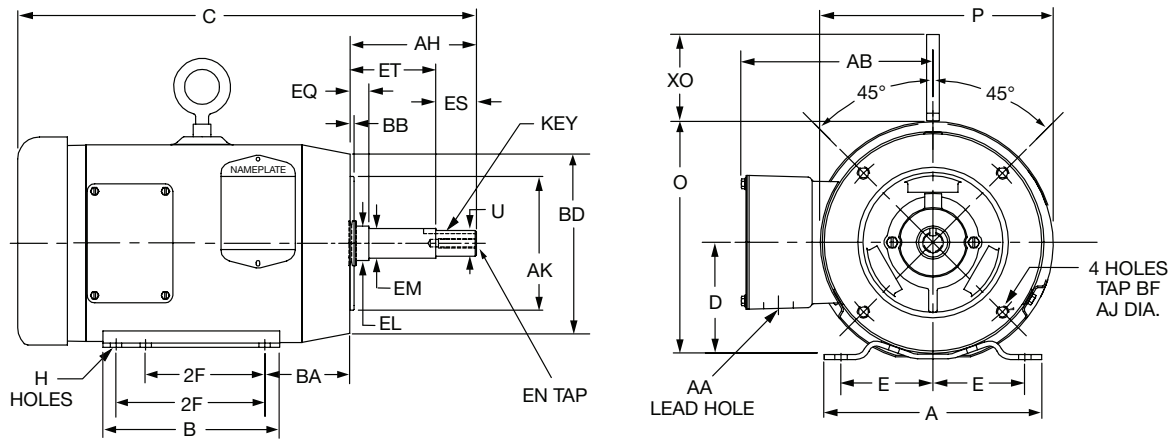


| NEMA Frame | Key | P | U | V Min | AA NPT | AB | AC | AH | AJ | AK | BB | BD | BE | Tap BF | EU |
|----------------|-------|-------|-------|-------|--------|-------|-------|------|-------|------|------|------|------|--------|-------|
| 182HP 184HP | 0.25 | 13.6 | 1.125 | 3.00 | 1.00 | 7.85 | 8.29 | 2.75 | 9.12 | 8.25 | 0.25 | 9.88 | 0.69 | 0.44 | 0.875 |
| 213HP 215HP | 0.25 | 12.13 | 1.125 | 3.00 | 1.50 | 8.68 | 7.11 | 2.75 | 9.12 | 8.25 | 0.25 | 9.88 | 0.69 | 0.44 | 0.875 |
| 254HP 256HP | 0.25 | 12.94 | 1.125 | 3.00 | 1.50 | 10.13 | 8.29 | 2.75 | 9.12 | 8.25 | 0.25 | 9.87 | 0.69 | 0.44 | 0.875 |
| 284HP 286HP | 0.25 | 15.56 | 1.125 | 3.00 | 2.00 | 12.57 | 10.31 | 2.75 | 9.12 | 8.25 | 0.25 | 9.87 | 0.69 | 0.44 | 0.875 |
| 324HP 326HP | 0.38 | 17.35 | 1.625 | 4.75 | 2.00 | 13.47 | 11.16 | 4.5 | 14.75 | 13.5 | 0.25 | 16.5 | 1 | 0.44 | 1.25 |
| 364HP 365HP | 0.375 | 20.25 | 1.625 | 4.50 | 3.00 | 18.00 | 13.81 | 4.5 | 14.75 | 13.5 | 0.25 | 16.5 | 0.88 | 0.69 | 1.25 |

NOTES: * Please refer to Keyway Detail at the end of the AC section. Drawings shown are for reference only.
Please contact Baldor for a detailed dimensional drawing of the specific motor you require. Drawings may also be available from our website at www.baldor.com.

Dimensions

Close-Coupled Pump Motors – TEFC JM Mount NEMA 143JM - 326JM



| NEMA Frame | A | B | D | E | 2F | H | KEY | O | P | U | AA | AB | AH | AJ | BF TAP | AK | BA | BB | BD | XO |
|--------------------------------|-------|-------|------|------|-------|------|------|-------|-------|-------|------|-------|------|-------|---------|-------|------|------|-------|------|
| Steel Band Construction | | | | | | | | | | | | | | | | | | | | |
| 143JM | 6.50 | 5.94 | 3.50 | 2.75 | 4.00 | 0.34 | 0.19 | 6.81 | 6.63 | 0.875 | 0.50 | 5.73 | 4.25 | 5.88 | 3/8-16 | 4.50 | 2.88 | 0.12 | 6.50 | — |
| 145JM | 6.50 | 5.94 | 3.50 | 2.75 | 5.00 | 0.34 | 0.19 | 6.81 | 6.63 | 0.875 | 0.50 | 5.73 | 4.25 | 5.88 | 3/8-16 | 4.50 | 2.88 | 0.12 | 6.50 | — |
| 182JM | 8.63 | 6.50 | 4.50 | 3.75 | 4.50 | 0.41 | 0.19 | 8.44 | 7.88 | 0.875 | 0.75 | 6.86 | 4.25 | 5.88 | 3/18-16 | 4.50 | 3.50 | 0.12 | 6.50 | 2.40 |
| 184JM | 8.63 | 6.50 | 4.50 | 3.75 | 5.50 | 0.41 | 0.19 | 8.44 | 7.88 | 0.875 | 0.75 | 6.86 | 4.25 | 5.88 | 3/18-16 | 4.50 | 3.50 | 0.12 | 6.50 | 2.40 |
| 213JM | 9.50 | 8.00 | 5.25 | 4.25 | 5.50 | 0.41 | 0.19 | 10.03 | 9.56 | 0.875 | 1.38 | 8.04 | 4.25 | 7.25 | 1/2-13 | 8.50 | 4.50 | 0.25 | 9.06 | 2.40 |
| 215JM | 9.50 | 8.00 | 5.25 | 4.25 | 7.00 | 0.41 | 0.19 | 10.03 | 9.56 | 0.875 | 1.38 | 8.04 | 4.25 | 7.25 | 1/2-13 | 8.50 | 4.50 | 0.25 | 9.06 | 2.40 |
| Cast Iron | | | | | | | | | | | | | | | | | | | | |
| 254JM | 11.50 | 11.50 | 6.25 | 5.00 | 8.25 | 0.53 | 0.25 | 12.88 | 12.94 | 1.250 | 1.38 | 10.04 | 5.25 | 7.25 | 1/2-13 | 8.50 | 4.75 | 0.25 | 9.09 | 2.72 |
| 256JM | 11.50 | 11.50 | 6.25 | 5.00 | 10.00 | 0.53 | 0.25 | 12.88 | 12.94 | 1.250 | 1.38 | 10.04 | 5.25 | 7.25 | 1/2-13 | 8.50 | 4.75 | 0.25 | 9.09 | 2.72 |
| 284JM | 12.75 | 12.84 | 7.00 | 5.50 | 9.50 | 0.53 | 0.25 | 14.44 | 15.29 | 1.250 | 2.00 | 13.11 | 5.25 | 11.00 | 5/8-11 | 12.50 | 4.75 | 0.25 | 13.05 | 2.72 |
| 286JM | 12.75 | 12.84 | 7.00 | 5.50 | 11.00 | 0.53 | 0.25 | 14.44 | 15.29 | 1.250 | 2.00 | 13.11 | 5.25 | 11.00 | 5/8-11 | 12.50 | 4.75 | 0.25 | 13.05 | 2.72 |
| 324JM | 14.50 | 14.00 | 8.00 | 6.25 | 10.50 | 0.66 | 0.25 | 16.25 | 17.85 | 1.250 | 2.50 | 14.61 | 5.25 | 11.00 | 5/8-11 | 12.50 | 5.25 | 0.25 | 13.40 | 3.22 |
| 326JM | 14.50 | 14.00 | 8.00 | 6.25 | 12.00 | 0.66 | 0.25 | 16.25 | 17.85 | 1.250 | 2.50 | 14.61 | 5.25 | 11.00 | 5/8-11 | 12.50 | 5.25 | 0.25 | 13.40 | 3.22 |

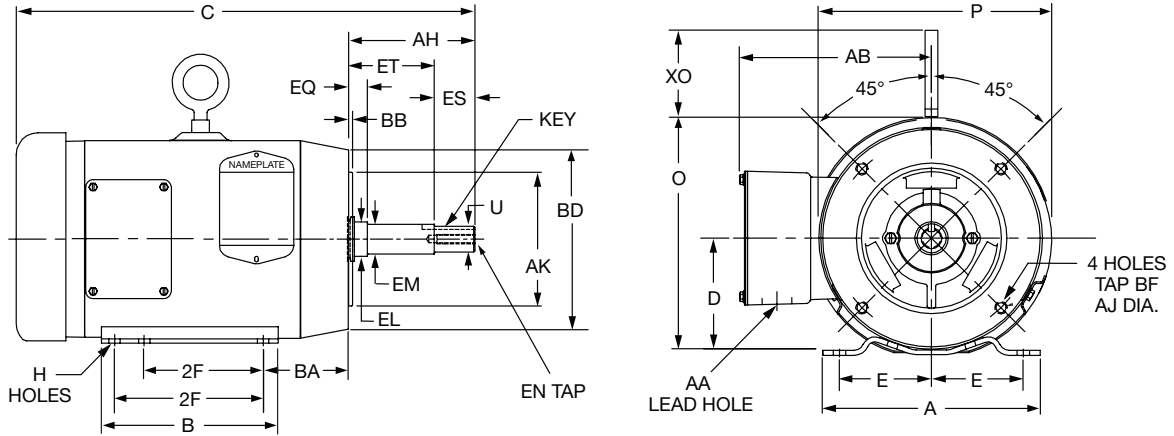
Washdown Closed-Coupled Pump Shaft Motors

| NEMA Frame | EL | EM | EN | EQ | ES | ET |
|--------------------------------|------|------|----------------|-------|------|-------|
| Steel Band Construction | | | | | | |
| 143JM | 1.15 | 1.0 | 0.38-16 x 0.88 | 0.625 | 1.38 | 2.875 |
| 145JM | 1.15 | 1.0 | 0.38-16 x 0.88 | 0.625 | 1.38 | 2.875 |
| 182JM | 1.25 | 1.0 | 0.38-16 x 0.88 | 0.625 | 1.38 | 2.875 |
| 184JM | 1.25 | 1.0 | 0.38-16 x 0.88 | 0.625 | 1.38 | 2.875 |
| 213JM | 1.25 | 1.0 | 0.38-16 x 0.88 | 0.625 | 1.38 | 2.875 |
| 215JM | 1.25 | 1.0 | 0.38-16 x 0.88 | 0.625 | 1.38 | 2.875 |
| Cast Iron | | | | | | |
| 254JM | 1.75 | 1.38 | 0.50-13x1.12 | 0.625 | 2.25 | 3.000 |
| 256JM | 1.75 | 1.38 | 0.50-13x1.12 | 0.625 | 2.25 | 3.000 |
| 284JM | 1.75 | 1.38 | 0.50-13x1.12 | 0.625 | 2.25 | 3.000 |
| 286JM | 1.75 | 1.38 | 0.50-13x1.12 | 0.625 | 2.25 | 3.000 |
| 324JM | 1.75 | 1.38 | 0.50-13x1.25 | 0.625 | 2.25 | 3.000 |
| 326JM | 1.75 | 1.38 | 0.50-13x1.25 | 0.625 | 2.25 | 3.000 |

NOTE: Dimension for reference only. Contact a Baldor District Office or www.baldor.com for the detailed dimension drawing for your specific catalog number.

Dimensions

Close-Coupled Pump Motors – TEFC JP Mount NEMA 215JP - 326JP



| NEMA Frame | A | B | D | E | 2F | H | KEY | O | P | U | AA | AB | AH | AJ | BF TAP | AK | BA | BB | BD | XO |
|--------------------------------|-------|-------|------|------|-------|------|------|-------|-------|-------|------|-------|-------|-------|--------|-------|------|------|-------|------|
| Steel Band Construction | | | | | | | | | | | | | | | | | | | | |
| 215JP | 9.50 | 8.00 | 5.25 | 4.25 | 7.00 | 0.41 | 0.19 | 10.03 | 9.56 | 0.875 | 1.38 | 8.04 | 8.125 | 7.25 | 1/2-13 | 8.50 | 4.50 | 0.25 | 9.06 | 2.40 |
| Cast Iron | | | | | | | | | | | | | | | | | | | | |
| 254JP | 11.50 | 11.50 | 6.25 | 5.00 | 8.25 | 0.53 | 0.25 | 12.88 | 12.94 | 1.250 | 1.38 | 10.04 | 8.125 | 7.25 | 1/2-13 | 8.50 | 4.75 | 0.25 | 9.09 | 2.72 |
| 256JP | 11.50 | 11.50 | 6.25 | 5.00 | 10.00 | 0.53 | 0.25 | 12.88 | 12.94 | 1.250 | 1.38 | 10.04 | 8.125 | 7.25 | 1/2-13 | 8.50 | 4.75 | 0.25 | 9.09 | 2.72 |
| 284JP | 12.75 | 12.84 | 7.00 | 5.50 | 9.50 | 0.53 | 0.25 | 14.44 | 15.29 | 1.250 | 2.00 | 13.11 | 8.125 | 11.00 | 5/8-11 | 12.50 | 4.75 | 0.25 | 13.05 | 2.72 |
| 286JP | 12.75 | 12.84 | 7.00 | 5.50 | 11.00 | 0.53 | 0.25 | 14.44 | 15.29 | 1.250 | 2.00 | 13.11 | 8.125 | 11.00 | 5/8-11 | 12.50 | 4.75 | 0.25 | 13.05 | 2.72 |
| 324JP | 14.50 | 14.00 | 8.00 | 6.25 | 10.50 | 0.66 | 0.25 | 16.25 | 17.85 | 1.250 | 2.50 | 14.61 | 8.125 | 11.00 | 5/8-11 | 12.50 | 5.25 | 0.25 | 13.40 | 3.22 |
| 326JP | 14.50 | 14.00 | 8.00 | 6.25 | 12.00 | 0.66 | 0.25 | 16.25 | 17.85 | 1.250 | 2.50 | 14.61 | 8.125 | 11.00 | 5/8-11 | 12.50 | 5.25 | 0.25 | 13.40 | 3.22 |

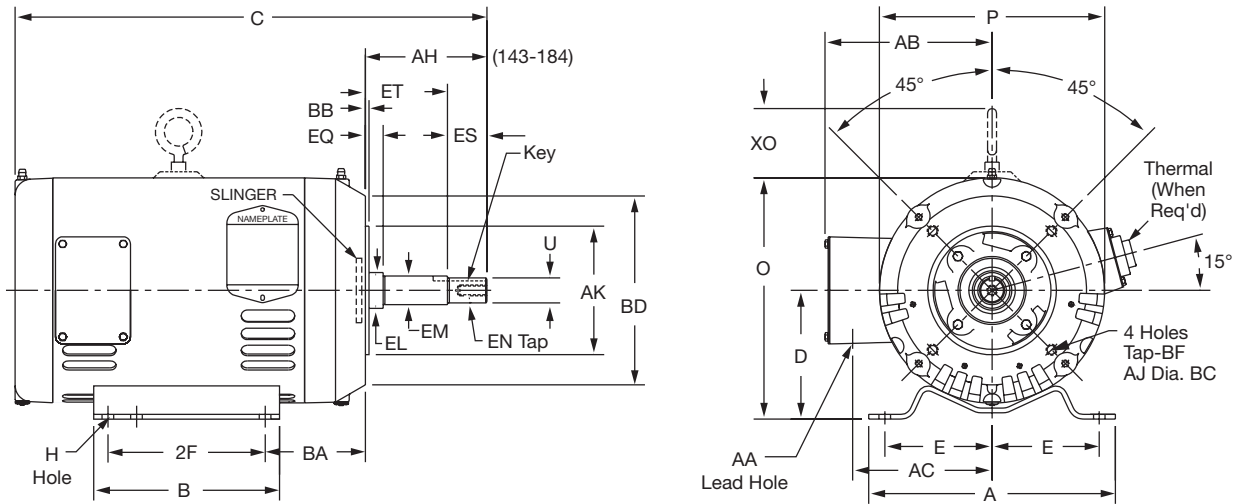
Washdown Closed-Coupled Pump Shaft Motors

| NEMA Frame | EL | EM | EN | EQ | ES | ET |
|--------------------------------|------|------|--------------|-------|------|-------|
| Steel Band Construction | | | | | | |
| 215JP | 1.75 | 1.38 | 0.50-13x1.12 | 2.375 | 2.25 | 5.875 |
| Cast Iron | | | | | | |
| 254JP | 1.75 | 1.38 | 0.50-13x1.12 | 2.375 | 2.25 | 5.875 |
| 256JP | 1.75 | 1.38 | 0.50-13x1.12 | 2.375 | 2.25 | 5.875 |
| 284JP | 1.75 | 1.38 | 0.50-13x1.12 | 2.375 | 2.25 | 5.875 |
| 286JP | 1.75 | 1.38 | 0.50-13x1.12 | 2.375 | 2.25 | 5.875 |
| 324JP | 1.75 | 1.38 | 0.50-13x1.25 | 2.375 | 2.25 | 5.875 |
| 326JP | 1.75 | 1.38 | 0.50-13x1.25 | 2.375 | 2.25 | 5.875 |

NOTE: Dimension for reference only. Contact a Baldor District Office or www.baldor.com for the detailed dimension drawing for your specific catalog number.

Dimensions

Close-Coupled Pump Motors – Open Drip Proof JM Mount NEMA 143JM - 326JM



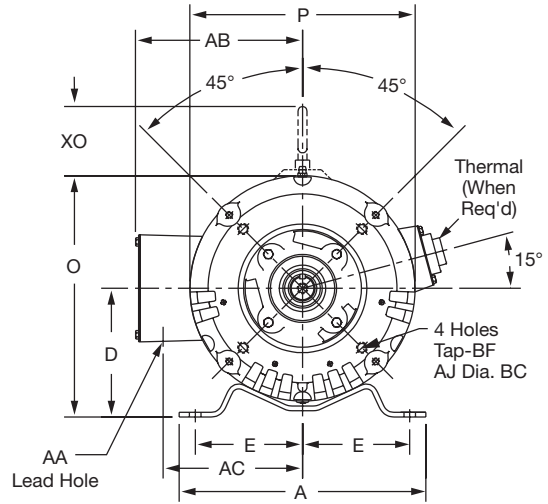
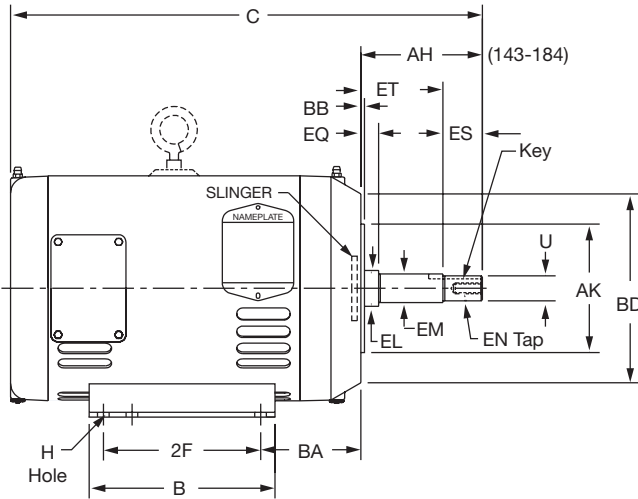
| NEMA Frame | A | B | D | E | 2F | H | Key | O | P | U | AA | AB | AC | AH | AJ | AK | BB | BD | BF | Tap BA |
|----------------|-------|-------|------|------|----------------|------|-------|-------|-------|-------|------|-------|-------|------|-------|-------|------|-------|---------|--------|
| 143JM 145JM | 6.50 | 5.94 | 3.50 | 2.75 | 4.00 5.00 | 0.34 | 0.19 | 6.77 | 6.62 | 0.875 | 0.88 | 5.61 | 4.56 | 4.28 | 5.88 | 4.50 | 0.13 | 6.51 | 0.38-16 | 2.88 |
| 182JM 184JM | 8.63 | 6.50 | 4.50 | 3.75 | 4.50 5.50 | 0.41 | 0.19 | 8.44 | 7.88 | 0.875 | 1.09 | 6.74 | 5.70 | 4.25 | 5.88 | 4.50 | 0.13 | 6.61 | 0.38-16 | 3.50 |
| 213JM 215JM | 9.50 | 8.00 | 5.25 | 4.25 | 5.50 7.00 | 0.41 | 0.188 | 10.03 | 9.57 | 0.875 | 1.38 | 7.92 | 6.72 | 4.25 | 7.25 | 8.50 | 0.25 | 9.07 | 0.50-13 | 4.25 |
| 254JM 256JM | 11.25 | 11.25 | 6.25 | 5.00 | 8.25 10.00 | 0.53 | 0.25 | 12.00 | 11.50 | 1.25 | 1.38 | 9.49 | 7.69 | 5.25 | 7.25 | 8.50 | 0.25 | 9.45 | 0.50-13 | 4.75 |
| 284JM 286JM | 12.25 | 12.25 | 7.00 | 5.50 | 9.50 11.00 | 0.53 | 0.25 | 13.63 | 13.25 | 1.25 | 2.00 | 12.21 | 9.72 | 5.25 | 11.00 | 12.50 | 0.25 | 13.03 | 0.62-11 | 4.75 |
| 324JM 326JM | 14.04 | 13.50 | 8.00 | 6.25 | 10.50 12.00 | 0.66 | 0.25 | 15.59 | 15.16 | 1.375 | 2.50 | 13.20 | 10.71 | 5.25 | 11.00 | 12.50 | 0.25 | 13.31 | 0.62-11 | 5.25 |

NOTE: Drawings shown are for reference only. Contact Baldor for a detailed dimensional drawing of the specific motor you require. Drawings may also be available at www.baldor.com.

| NEMA Frame | EL | EM | EN | EQ | ES | ET |
|----------------|------|-------|--------------|-------|------|------|
| 143JM 145JM | 1.56 | 1.00 | 0.38-16x0.88 | 0.64 | 1.39 | 2.89 |
| 182JM 184JM | 1.25 | 1.00 | 0.38-16x0.88 | 0.64 | 1.39 | 2.89 |
| 213JM 215JM | 1.25 | 1.00 | 0.38-16x0.88 | 0.64 | 1.36 | 2.89 |
| 254JM 256JM | 1.75 | 1.375 | 0.50-13x1.25 | 0.625 | 2.25 | 3.00 |
| 284JM 286JM | 1.75 | 1.375 | 0.50-13x1.25 | 0.625 | 2.25 | 3.00 |
| 324JM 326JM | 1.75 | 1.375 | 0.50-13x1.25 | 0.625 | 2.25 | 3.00 |

Dimensions

Close-Coupled Pump Motors – Open Drip-Proof JP Mount NEMA 213JP - 326JP



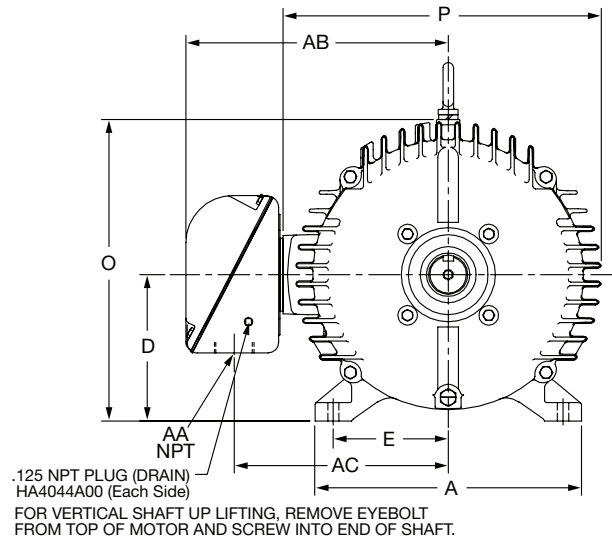
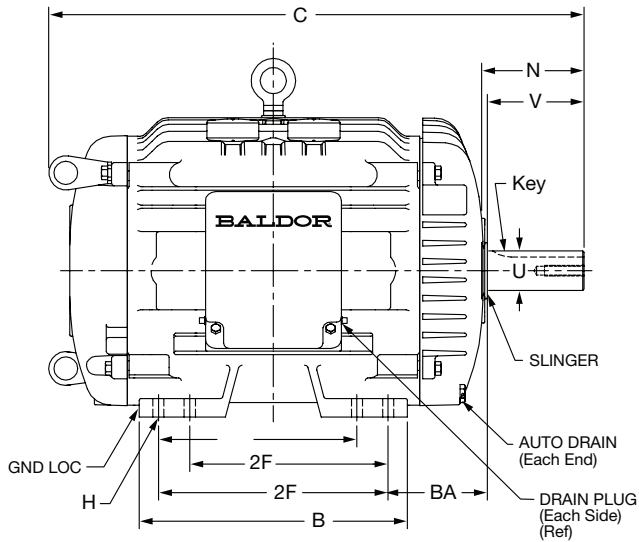
| NEMA Frame | A | B | D | E | 2F | H | Key | O | P | U | AA | AB | AC | AH | AJ | AK | BB | BD | BF | Tap BA |
|------------|-------|-------|------|------|-------|------|-------|-------|-------|-------|------|-------|-------|-------|-------|-------|------|-------|---------|--------|
| 213JP | 9.50 | 8.00 | 5.25 | 4.25 | 5.50 | 0.41 | 0.188 | 10.03 | 15.59 | 0.875 | 1.38 | 7.92 | 6.72 | 8.125 | 7.25 | 8.50 | 0.25 | 9.07 | 0.50-13 | 4.25 |
| 215JP | 9.50 | 8.00 | 5.25 | 4.25 | 7.00 | 0.41 | 0.188 | 10.03 | 15.59 | 0.875 | 1.38 | 7.92 | 6.72 | 8.125 | 7.25 | 8.50 | 0.25 | 9.07 | 0.50-13 | 4.25 |
| 254JP | 11.25 | 11.25 | 6.25 | 5.00 | 8.25 | 0.53 | 0.25 | 12.00 | 15.59 | 1.25 | 1.38 | 9.49 | 7.69 | 8.125 | 7.25 | 8.50 | 0.25 | 9.45 | 0.50-13 | 4.75 |
| 256JP | 11.25 | 11.25 | 6.25 | 5.00 | 10.00 | 0.53 | 0.25 | 12.00 | 15.59 | 1.25 | 1.38 | 9.49 | 7.69 | 8.125 | 7.25 | 8.50 | 0.25 | 9.45 | 0.50-13 | 4.75 |
| 284JP | 12.25 | 12.25 | 7.00 | 5.50 | 9.50 | 0.53 | 0.25 | 13.63 | 13.25 | 1.25 | 2.00 | 12.21 | 9.72 | 8.125 | 11.00 | 12.50 | 0.25 | 13.03 | 0.62-11 | 4.75 |
| 286JP | 12.25 | 12.25 | 7.00 | 5.50 | 11.00 | 0.53 | 0.25 | 13.63 | 13.25 | 1.25 | 2.00 | 12.21 | 9.72 | 8.125 | 11.00 | 12.50 | 0.25 | 13.03 | 0.62-11 | 4.75 |
| 324JP | 14.04 | 13.50 | 8.00 | 6.25 | 10.50 | 0.66 | 0.25 | 15.59 | 15.16 | 1.375 | 2.50 | 13.20 | 10.71 | 8.125 | 11.00 | 12.50 | 0.25 | 13.31 | 0.62-11 | 5.25 |
| 326JP | 14.04 | 13.50 | 8.00 | 6.25 | 12.00 | 0.66 | 0.25 | 15.59 | 15.16 | 1.375 | 2.50 | 13.20 | 10.71 | 8.125 | 11.00 | 12.50 | 0.25 | 13.31 | 0.62-11 | 5.25 |

NOTE: Drawings shown are for reference only. Contact Baldor for a detailed dimensional drawing of the specific motor you require. Drawings may also be available at www.baldor.com.

| NEMA Frame | EL | EM | EN | EQ | ES | ET |
|------------|------|------|--------------|-------|------|-------|
| 213JP | 1.75 | 1.38 | 0.50-13x1.12 | 2.375 | 2.25 | 5.875 |
| 215JP | 1.75 | 1.38 | 0.50-13x1.12 | 2.375 | 2.25 | 5.875 |
| 254JP | 1.75 | 1.38 | 0.50-13x1.12 | 2.375 | 2.25 | 5.875 |
| 256JP | 1.75 | 1.38 | 0.50-13x1.12 | 2.375 | 2.25 | 5.875 |
| 284JP | 1.75 | 1.38 | 0.50-13x1.12 | 2.375 | 2.25 | 5.875 |
| 286JP | 1.75 | 1.38 | 0.50-13x1.12 | 2.375 | 2.25 | 5.875 |
| 324JP | 1.75 | 1.38 | 0.50-13x1.12 | 2.375 | 2.25 | 5.875 |
| 326JP | 1.75 | 1.38 | 0.50-13x1.12 | 2.375 | 2.25 | 5.875 |

Dimensions

Chiller/Cooling Tower – TEAO Foot Mounted NEMA 182T - 405T

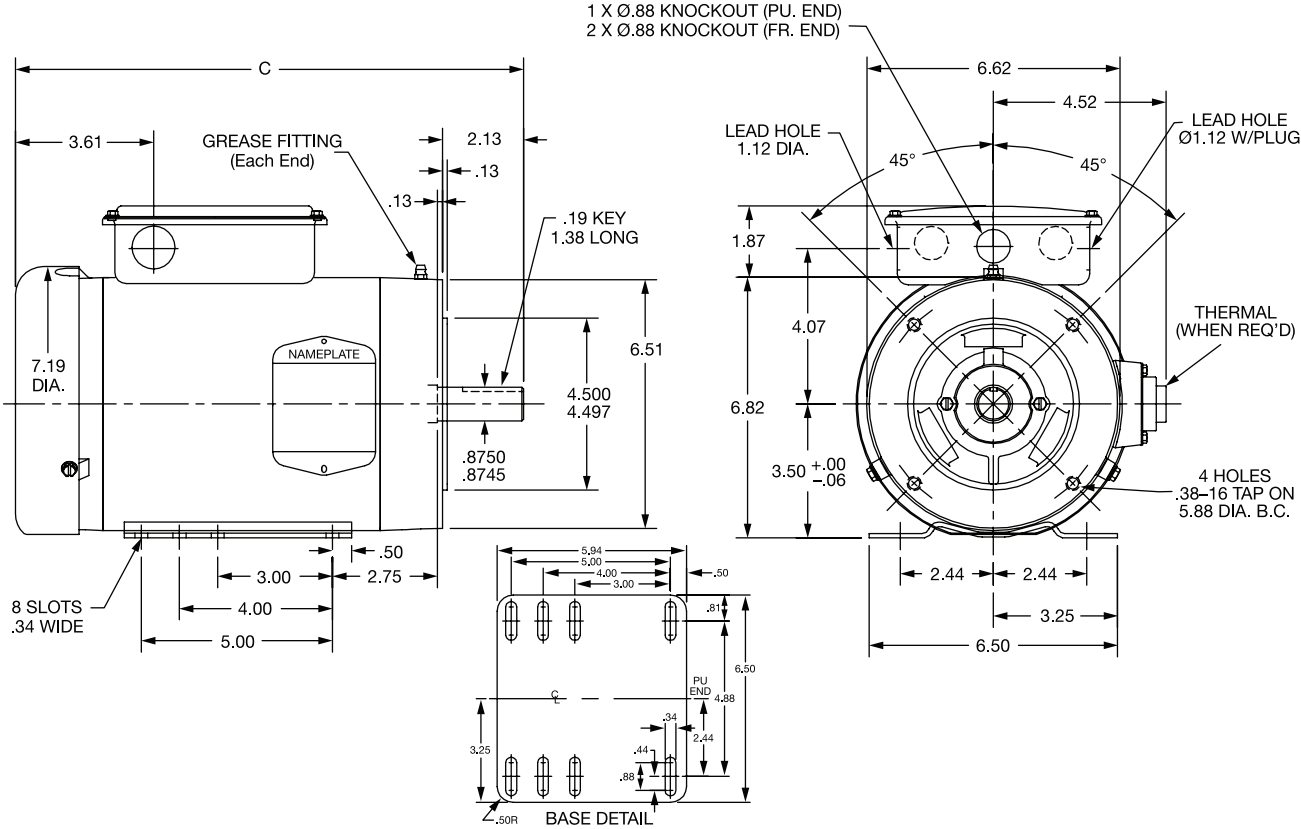


| Frame Size | A | B | D | E | 2F | H | Key | N | O | P | U | V | XP Terminal Box | | | |
|--------------|-------|-------|------|------|----------------|------|-------|------|-------|-------|-------|------|-----------------|-------|-------|------|
| | | | | | | | | | | | | | AA | AB | AC | BA |
| 182T 184T | 8.62 | 6.5 | 4.5 | 3.75 | 4.5 5.5 | 0.41 | 0.25 | 2.81 | 9.23 | 9.46 | 1.125 | 2.75 | 0.75 | 7.12 | 5.75 | 2.75 |
| 213T 215T | 9.62 | 8.12 | 5.25 | 4.25 | 5.5 7.0 | 0.41 | 0.31 | 3.88 | 10.99 | 11.5 | 1.375 | 3.38 | 1 | 9.22 | 7.43 | 3.5 |
| 254T 256T | 11.5 | 11.5 | 6.25 | 5 | 8.25 10 | 0.53 | 0.38 | 4.32 | 12.88 | 12.94 | 1.625 | 4 | 1.25 | 10.1 | 8.32 | 4.25 |
| 284T 286T | 12.76 | 12.84 | 7 | 5.5 | 9.5 11 | 0.53 | 0.5 | 4.91 | 14.44 | 15.24 | 1.875 | 4.63 | 1.5 | 12.56 | 10.25 | 4.75 |
| 324T 326T | 14.5 | 14 | 8 | 6.25 | 10.5 12 | 0.66 | 0.5 | 5.63 | 16.25 | 17.65 | 2.125 | 5.25 | 2 | 14 | 11.75 | 5.25 |
| 364T 365T | 16.5 | 14.5 | 9 | 7 | 11.25 12.25 | 0.66 | 0.625 | 6.12 | 18.38 | 18.86 | 2.375 | 5.88 | 2.5 | 14.4 | 12.09 | 5.88 |
| 404T 405T | 18.88 | 16.63 | 10 | 8 | 12.25 13.75 | 0.81 | 0.75 | 7.62 | 20.31 | 21.17 | 2.875 | 7.25 | 3 | 18.01 | 14.53 | 6.62 |

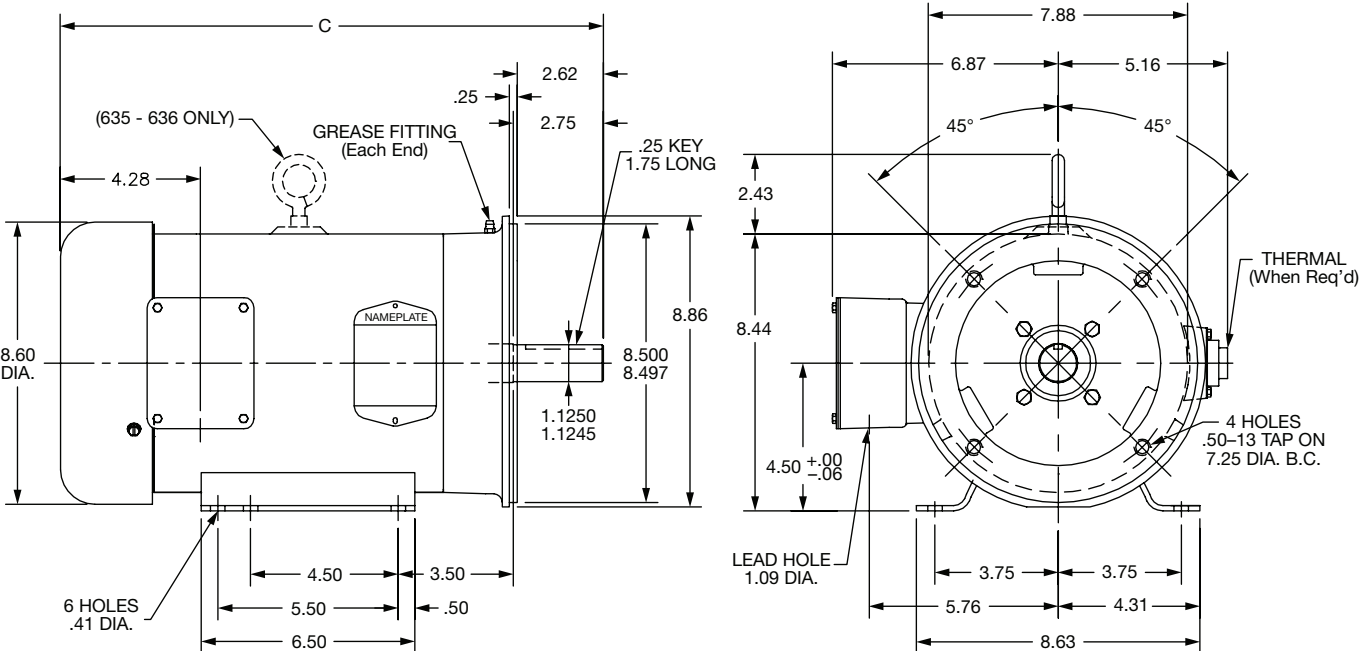
NOTE: Drawings shown are for reference only. Contact Baldor for a detailed dimensional drawing of the specific motor you require. Drawings may also be available at www.baldor.com.

Dimensions

Unit Handling Motors C-Face Foot Mounted NEMA 145TCY

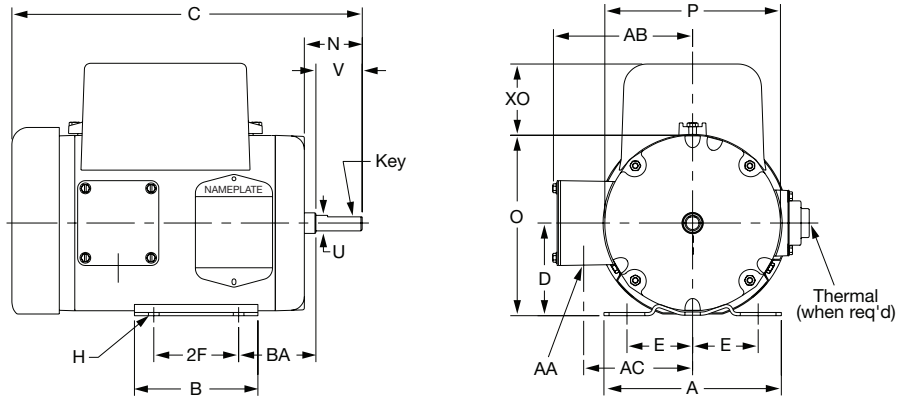


Unit Handling Motors C-Face Foot Mounted NEMA 182TC - 184TC



Dimensions

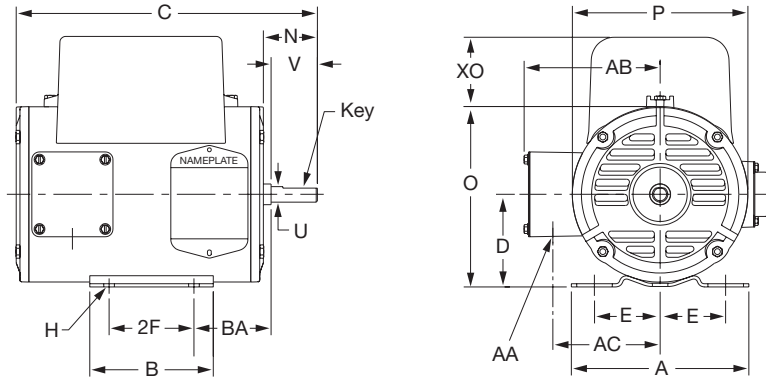
Single Phase Motors - TEFC Foot Mounted NEMA 48 - 184T



| NEMA Frame | A | B | D | E | 2F | H | Key | N | O | P | U | V | AA | AB | AC | BA | XO |
|---------------|------|--------------|------|------|--------------|-----------|---------------------------------|--------------|------|------|-------|------|------|------|------|------|--------------|
| 48 | 5.75 | 4.00 | 3.00 | 2.13 | 2.75 | 0.34 Slot | Flat 0.047 Deep 1.12 Long | 1.87 | 5.85 | 5.69 | 0.50 | 1.50 | 0.88 | 5.18 | 3.60 | 2.50 | 2.31 1.56 |
| 56 400 Typ | 6.50 | 4.00 | 3.50 | 2.44 | 3.00 | 0.34 Slot | 0.19 | 2.50 | 6.36 | 5.69 | 0.625 | 1.88 | 0.88 | 4.90 | 3.53 | 2.75 | 1.56 2.31 |
| 56 56H | 6.50 | 4.50 6.50 | 3.50 | 2.44 | 3.00 5.00 | 0.34 Slot | 0.19 | 2.47 2.12 | 6.81 | 6.62 | 0.625 | 1.88 | 0.88 | 5.73 | 4.62 | 2.75 | 2.24 |
| 143T 145T | 6.50 | 5.94 | 3.50 | 2.75 | 4.00 5.00 | 0.34 | 0.19 | 2.50 | 6.81 | 6.62 | 0.875 | 2.25 | 0.88 | 5.73 | 4.62 | 2.25 | 2.25 |
| 182T 184T | 8.63 | 6.50 | 4.50 | 3.75 | 4.50 5.50 | 0.41 | 0.25 | 3.56 | 8.44 | 7.88 | 1.125 | 2.75 | 1.09 | 6.87 | 5.76 | 2.75 | 2.69 |

NOTE: Drawings shown are for reference only. Contact Baldor for a detailed dimensional drawing of the specific motor you require. Drawings may also be available at www.baldor.com.

Single Phase Motors - Open Drip-Proof Foot Mounted NEMA 48 - 184T

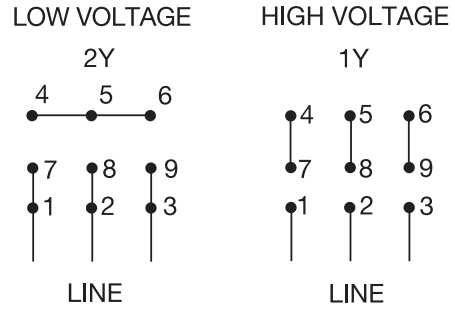
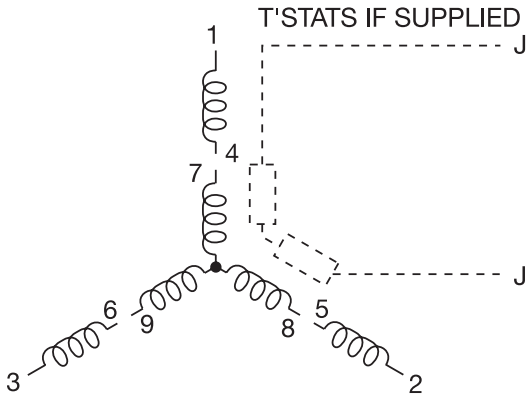


| NEMA Frame | A | B | D | E | 2F | H | Key | N | O | P | U | V | AA | AB | AC | BA | XO |
|---------------|------|--------------|------|------|--------------|-----------|---------------------------------|--------------|------|------|-------|------|------|------|------|------|--------------|
| 48 | 5.75 | 4.00 | 3.00 | 2.12 | 2.75 | 0.34 Slot | Flat 0.047 Deep 1.12 Long | 1.75 | 5.85 | 5.69 | 0.50 | 1.50 | 0.88 | 5.06 | 3.54 | 2.50 | 1.50 2.25 |
| 56 400 Typ | 6.56 | 4.00 | 3.50 | 2.44 | 3.00 | 0.34 Slot | 0.19 | 2.13 | 6.34 | 5.69 | 0.625 | 1.88 | 0.88 | 5.06 | 3.54 | 2.75 | 1.50 2.25 |
| 56 56H | 6.50 | 4.50 6.50 | 3.50 | 2.44 | 3.00 5.00 | 0.34 Slot | 0.19 | 2.44 2.13 | 6.81 | 6.62 | 0.625 | 1.88 | 0.88 | 5.62 | 4.56 | 2.75 | 2.18 |
| 143T 145T | 6.50 | 5.94 | 3.50 | 2.75 | 4.00 5.00 | 0.34 | 0.19 | 2.50 | 6.81 | 6.62 | 0.875 | 2.25 | 0.88 | 5.73 | 4.62 | 2.25 | 2.18 |
| 182T 184T | 8.63 | 6.50 | 4.50 | 3.75 | 4.50 5.50 | 0.41 | 0.25 | 3.56 | 8.44 | 7.88 | 1.125 | 2.75 | 1.09 | 6.75 | 5.76 | 2.75 | 2.24 2.63 |

NOTE: Drawings shown are for reference only. Contact Baldor for a detailed dimensional drawing of the specific motor you require. Drawings may also be available at www.baldor.com.

Connection Diagrams

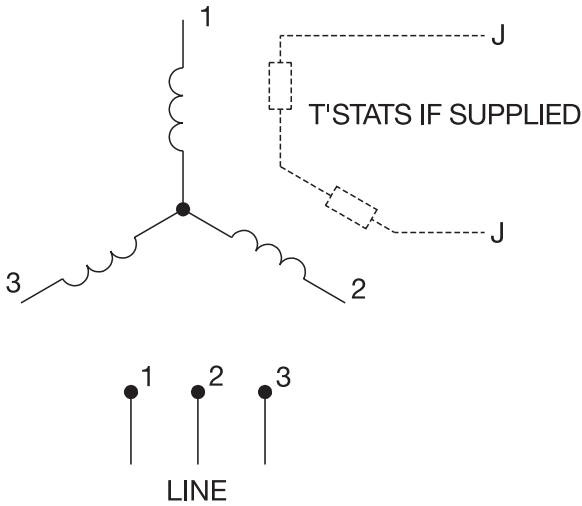
CD0005 and 416820-1



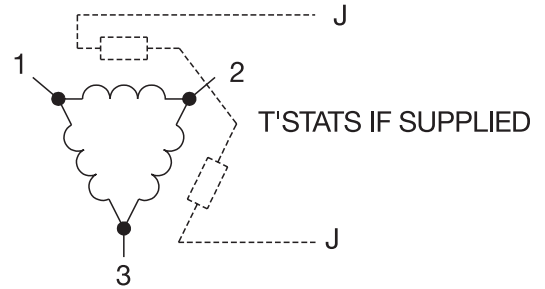
- Notes:**
1. Interchange any two line leads to reverse rotation.
 2. Thermostats are provided when specified.
 3. Actual number of internal parallel circuits may vary.
 4. Lead colors are optional. Leads must be numbered as shown.

CD0006, 416820-24 and 416820-25

TYPICAL WYE-CONNECTED MOTOR

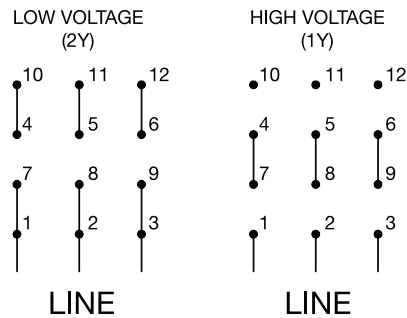
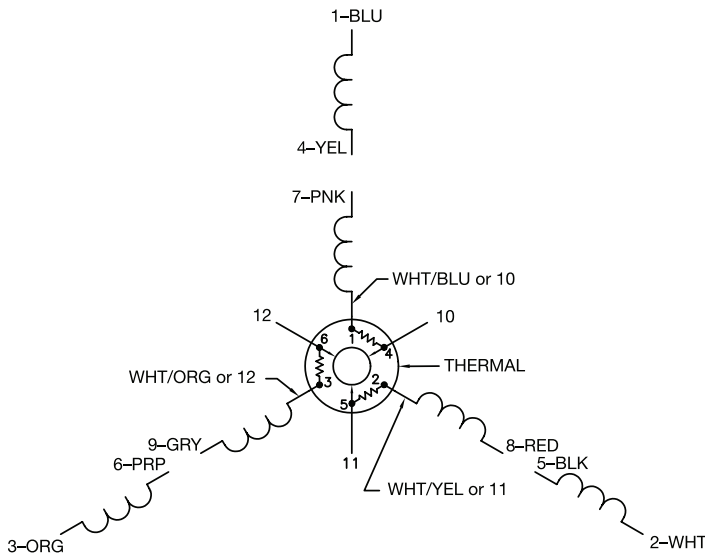


TYPICAL DELTA-CONNECTED MOTOR



- Notes:**
1. Three lead motors may be designed as either wye-connected or delta-connected.
 2. Interchange any two line leads to reverse rotation.
 3. Thermostats are provided when specified.
 4. Actual number of internal parallel circuits may vary.
 5. Lead colors are optional. Leads must be numbered as shown.

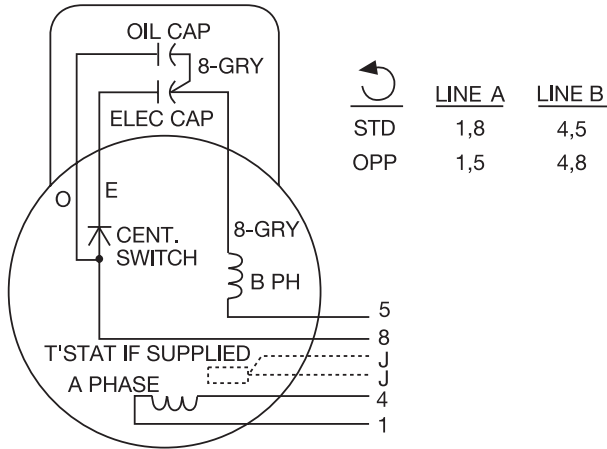
CD0007



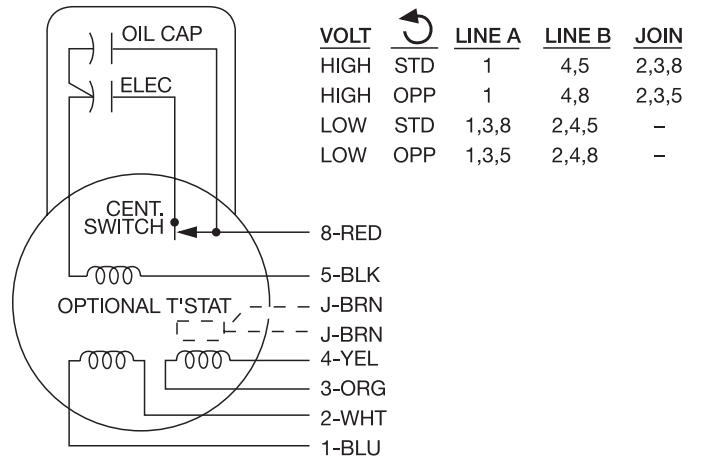
- Notes:**
1. Interchange any two line leads to reverse rotation.
 2. Thermostats are provided when specified.
 3. Actual number of internal parallel circuits may vary.
 4. Lead colors are optional. Leads must be numbered as shown.

Connection Diagrams

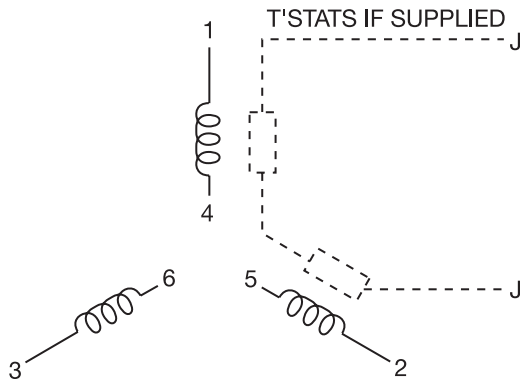
CD0017A02



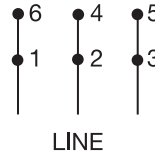
CD0055



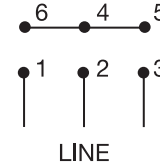
CD0022 and 416820-4



LOW VOLTAGE
1D



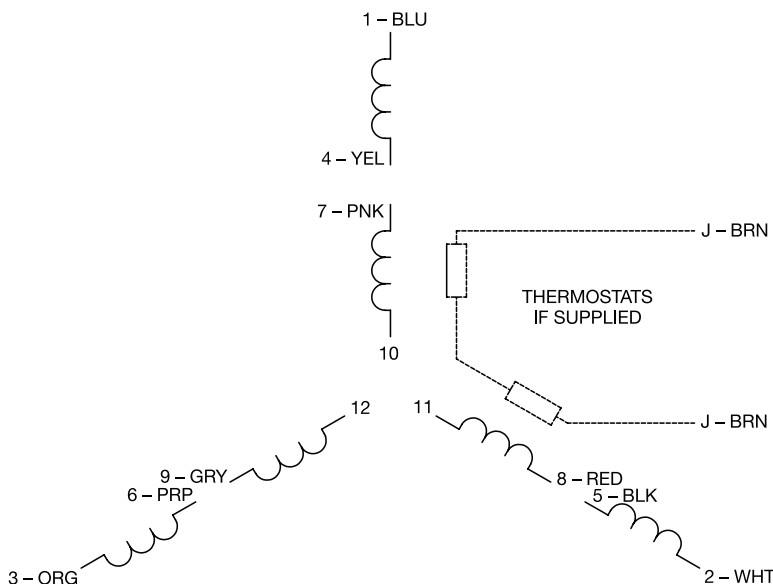
HIGH VOLTAGE
1Y



Notes:

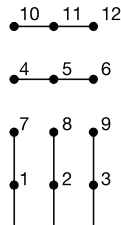
1. Interchange any two line leads to reverse rotation.
2. Thermostats are provided when specified.
3. Actual number of internal parallel circuits may vary.
4. Lead colors are optional. Leads must be numbered as shown.

CD0104



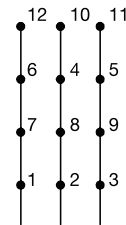
LOW VOLTAGE

START (2Y)



LINE

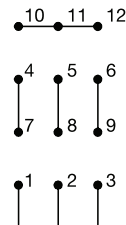
RUN (2D)



LINE

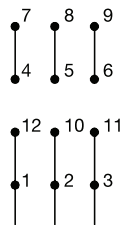
HIGH VOLTAGE

START (1Y)



LINE

RUN (1D)



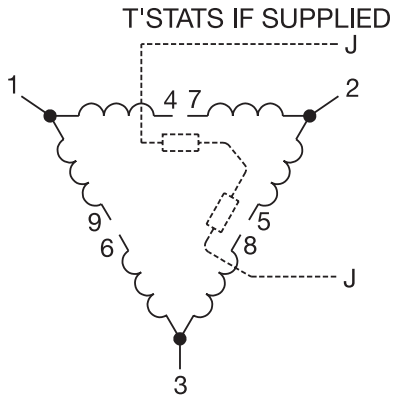
LINE

Notes:

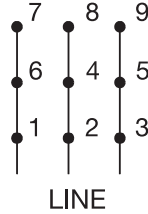
1. Interchange any two line leads to reverse rotation.
2. Thermostats are provided when specified.
3. Actual number of internal parallel circuits may be a multiple of those shown above.
4. Lead colors are optional. Leads must be numbered as shown.

Connection Diagrams

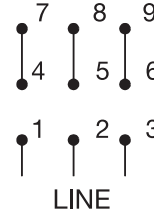
CD0180 and 416820-2



LOW VOLTAGE
(2D)



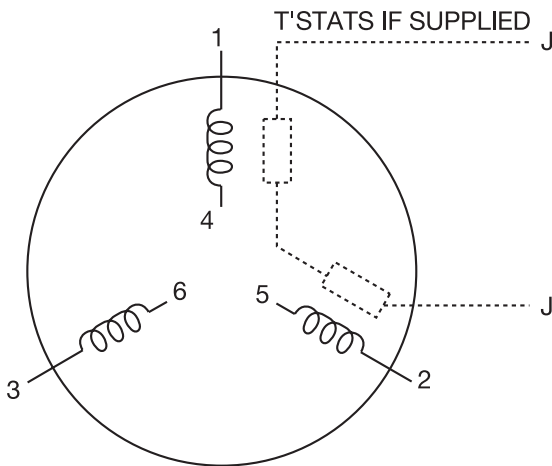
HIGH VOLTAGE
(1D)



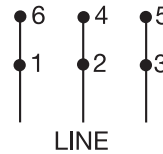
Notes:

1. Three lead motors may be designed as either wye-connected or delta-connected.
2. Interchange any two line leads to reverse rotation.
3. Thermostats are provided when specified.
4. Actual number of internal parallel circuits may vary.
5. Lead colors are optional. Leads must be numbered as shown.

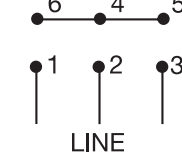
CD0382



RUN
CONNECTION
1D



START
CONNECTION
1Y

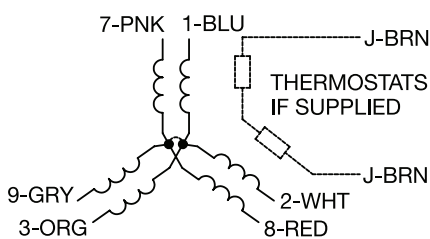


Notes:

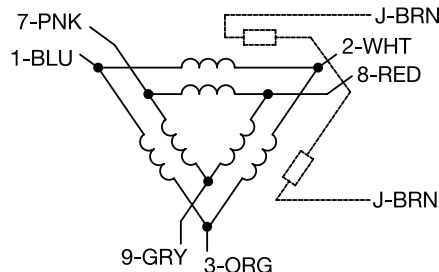
1. Interchange any two line leads to reverse rotation.
2. Thermostats are provided when specified.
3. Actual number of internal parallel circuits may vary.
4. Lead colors are optional. Leads must be numbered as shown.
5. For Across-The-Line starting, use "RUN" connection

CD0695

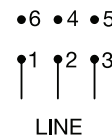
TYPICAL WYE-CONNECTED MOTOR



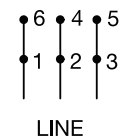
TYPICAL DELTA-CONNECTED MOTOR



START
CONNECTION



RUN
CONNECTION



Notes:

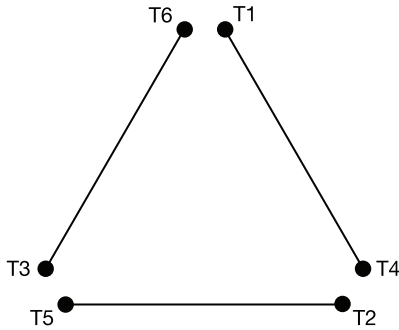
1. Motor may be wye-connected or delta-connected.
2. Interchange any two line leads to reverse rotation.
3. Thermostats are provided when specified.
4. Actual number of internal parallel circuits may vary.
5. Lead colors are optional. Leads must be numbered as shown.

Connection Diagrams

416820-008

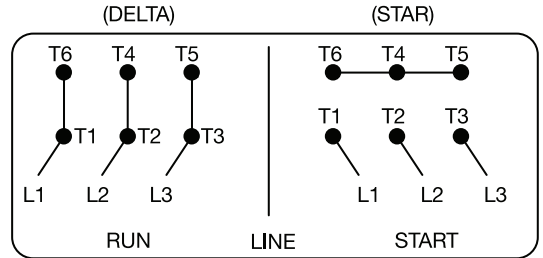
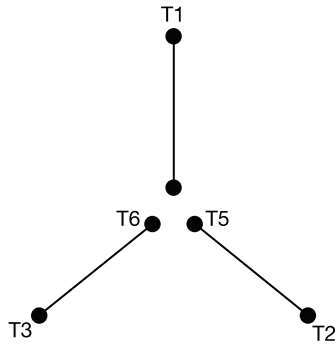
STANDARD 6 LEAD

DELTA
(RUN)



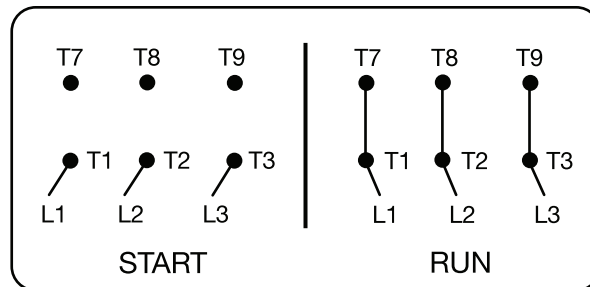
Y START – DELTA RUN

STAR(Y)
(START)



416820-015

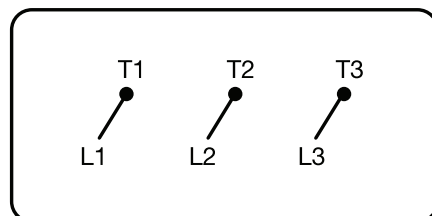
PART WINDING START



416820-036

STANDARD 3 LEAD

CONNECTED



Contact your nearest Baldor District Office at these World Wide locations or visit www.baldor.com

UNITED STATES

ARIZONA

PHOENIX

4211 S 43RD PLACE
PHOENIX, AZ 85040
PHONE: 602-470-0407
FAX: 602-470-0464

ARKANSAS

CLARKSVILLE

706 WEST MAIN STREET
CLARKSVILLE, AR 72830
PHONE: 479-754-9108
FAX: 479-754-9205

CALIFORNIA

LOS ANGELES

6480 FLOTILLA STREET
COMMERCE, CA 90040
PHONE: 323-724-6771
FAX: 323-721-5859

HAYWARD

21056 FORBES STREET
HAYWARD, CA 94545
PHONE: 510-785-9900
FAX: 510-785-9910

COLORADO

DENVER

3855 FOREST STREET
DENVER, CO 80207
PHONE: 303-623-0127
FAX: 303-595-3772

CONNECTICUT

WALLINGFORD

65 SOUTH TURNPIKE ROAD
WALLINGFORD, CT 06492
PHONE: 203-269-1354
FAX: 203-269-5485

FLORIDA

TAMPA/PUERTO RICO/ VIRGIN ISLANDS

3906 EAST 11TH AVENUE
TAMPA, FL 33605
PHONE: 813-248-5078
FAX: 813-241-9514

GEORGIA

ATLANTA

62 TECHNOLOGY DRIVE
ALPHARETTA, GA 30005
PHONE: 770-772-7000
FAX: 770-772-7200

ILLINOIS

CHICAGO

340 REMINGTON BLVD.
BOLINGBROOK, IL 60440
PHONE: 630-296-1400
FAX: 630-226-9420

INDIANA

INDIANAPOLIS

5525 W. MINNESOTA STREET
INDIANAPOLIS, IN 46241
PHONE: 317-246-5100
FAX: 317-246-5110

IOWA

DES MOINES

1943 HULL AVENUE
DES MOINES, IA 50313
PHONE: 515-263-6929
FAX: 515-263-6515

MARYLAND

BALTIMORE

7071A DORSEY RUN RD
ELKRIDGE, MD 21075
PHONE: 410-579-2135
FAX: 410-579-2677

MASSACHUSETTS

BOSTON

6 PULLMAN STREET
WORCESTER, MA 01606
PHONE: 508-854-0708
FAX: 508-854-0291

MICHIGAN

DETROIT

5993 PROGRESS DRIVE
STERLING HEIGHTS, MI 48312
PHONE: 586-978-9800
FAX: 586-978-9969

MINNESOTA

MINNEAPOLIS

13098 GEORGE WEBER DR, SUITE 400
ROGERS, MN 55374
PHONE: 763-428-3633
FAX: 763-428-4551

MISSOURI

ST LOUIS

13678 LAKEFRONT DRIVE
EARTH CITY, MO 63045
PHONE: 314-373-3032
FAX: 314-373-3038

KANSAS CITY

1501 BEDFORD AVENUE
NORTH KANSAS CITY, MO 64116
PHONE: 816-587-0272
FAX: 816-587-3735

NEW YORK

AUBURN

ONE ELLIS DRIVE
AUBURN, NY 13021
PHONE: 315-255-3403
FAX: 315-253-9923

NORTH CAROLINA

GREENSBORO

1220 ROTHERWOOD ROAD
GREENSBORO, NC 27406
PHONE: 336-272-6104
FAX: 336-273-6628

OHIO

CINCINNATI

2929 CRESCENTVILLE ROAD
WEST CHESTER, OH 45069
PHONE: 513-771-2600
FAX: 513-772-2219

CLEVELAND

8929 FREEWAY DRIVE
MACEDONIA, OH 44056
PHONE: 330-468-4777
FAX: 330-468-4778

OKLAHOMA

TULSA

5555 E. 71ST ST., SUITE 9100
TULSA, OK 74136
PHONE: 918-366-9320
FAX: 918-366-9338

OREGON

PORTLAND

12651 SE CAPPS ROAD
CLACKAMAS, OR 97015
PHONE: 503-691-9010
FAX: 503-691-9012

PENNSYLVANIA

PHILADELPHIA

1035 THOMAS BUSCH
MEMORIAL HIGHWAY
PENNSAUKEN, NJ 08110
PHONE: 856-661-1442
FAX: 856-663-6363

PITTSBURGH

159 PROMINENCE DRIVE
NEW KENSINGTON, PA 15068
PHONE: 724-889-0092
FAX: 724-889-0094

TENNESSEE

MEMPHIS

4000 WINCHESTER ROAD
MEMPHIS, TN 38118
PHONE: 901-365-2020
FAX: 901-365-3914

TEXAS

DALLAS

2920 114TH STREET SUITE 100
GRAND PRAIRIE, TX 75050
PHONE: 214-634-7271
FAX: 214-634-8874

HOUSTON

10355 W. LITTLE YORK ROAD
SUITE 300
HOUSTON, TX 77041
PHONE: 281-977-6500
FAX: 281-977-6510

UTAH

SALT LAKE CITY

2230 SOUTH MAIN STREET
SALT LAKE CITY, UT 84115
PHONE: 801-832-0127
FAX: 801-832-8911

WISCONSIN

MILWAUKEE

1960 SOUTH CALHOUN ROAD
NEW BERLIN, WI 53151
PHONE: 262-784-5940
FAX: 262-784-1215

INTERNATIONAL SALES

FORT SMITH, AR

P.O. BOX 2400
FORT SMITH, AR 72902
PHONE: 479-646-4711
FAX: 479-648-5895

CANADA

EDMONTON, ALBERTA

4053-92 STREET
EDMONTON, ALBERTA T6E 6R8
PHONE: 780-434-4900
FAX: 780-438-2600

TORONTO

OAKVILLE, ONTARIO

2910 BRIGHTON ROAD
OAKVILLE, ONTARIO, CANADA L6H 5S3
PHONE: 905-829-3301
FAX: 905-829-3302

MONTREAL, QUEBEC

5155 J-ARMAND BOMBARDIER
SAINT-HUBERT, QUEBEC
CANADA J3Z 1G4
PHONE: 514-933-2711
FAX: 514-933-8639

VANCOUVER,

BRITISH COLUMBIA

1538 KEBET WAY
PORT COQUITLAM,
BRITISH COLUMBIA V3C 5M5
PHONE 604-421-2822
FAX: 604-421-3113

WINNIPEG, MANITOBA

54 PRINCESS STREET
WINNIPEG, MANITOBA R3B 1K2
PHONE: 204-942-5205
FAX: 204-956-4251

MEXICO

LEON, GUANAJUATO

KM. 2.0 BLVD. AEROPUERTO
LEON, GUANAJUATO, CP37545
MEXICO
PHONE: +52 477 761 2030
FAX: +52 477 761 2010

Baldor Electric Company

P.O. Box 2400

Fort Smith, AR 72902-2400 U.S.A.

Ph (479) 646-4711 • Fax (479) 648-5792

International Fax (479) 648-5895

www.baldor.com

