



701 S Ridge Avenue, Troy, OH 45374
1-888-4HOBART • www.hobartcorp.com

WPS-1200 WASTE PRO WASTE EQUIPMENT SYSTEM

HOBART

WPS-1200 WASTE PRO WASTE EQUIPMENT SYSTEM

STANDARD FEATURES

PULPER:

■ Pulper Tank:

25½" diameter investment cast 316 stainless steel tank, vibration isolators secure the motor and the tank to the stainless steel frame. Tank includes vibration isolation gasket.

■ Pulping Disc:

5½" diameter stainless steel pulping disc

■ Rotating Delta Shearing Cutters:

Investment cast stainless steel 17-4 cutting edges mounted on pulping disc for shearing action.

■ Particle Sizing Ring:

Investment cast 17-4 stainless steel. Matched to pulping disc.

■ Stationary Shearing Cutters:

S-7 tool steel cutting edges. Mounted on tank wall to provide shearing action.

■ Legs:

Tubular stainless steel. Adjustable ¾ inches in either direction.

■ Water Consumption:

0-4 GPM with 25 psi line pressure.

■ Empty Cycle:

Sprays hot water on the screen to reduce clean-up time by 60%.

ELECTRICAL:

■ Pulper Motor:

6.0 horsepower, TEFC (Total Enclosed Fan Cooled). Direct drive with 1½" diameter stainless steel shaft.

■ Waterpress Motor:

2.0 horsepower, TEFC.

■ Recirculating Pump Motor:

3.0 horsepower, TEFC.

■ Controls:

Prewired electrical control panel. NEMA 4 stainless steel enclosure. Magnetic-type motor contactors. Overload protection. Nominal 115 volt control circuit transformer. Junction box with terminal strips mounted on drive motor housing for easy access.

■ Remote "Start-Stop" push-button station.

■ Chemical pump standard.

MODEL

- WPS-1200 Waste Equipment System

OPTIONS

FREE-STANDING MODELS:

Feed Tray Assembly:

Stainless steel construction. Ergonomically designed. Removable splash curtain. 24" x 25" feed tray.

- Optional feed tray flush nozzle.

Hinged Cover:

Interlocked to prevent operation when opened.

UNDERCOUNTER MODELS:

Removable Cover Plate:

Integrated interlock switch. Rubber boot included with pulper tank lid.

Trough connection.

- 9" wide

- 12" wide

Electrical controls:

Flush-mounted enclosure

SWS40 transfer pump.

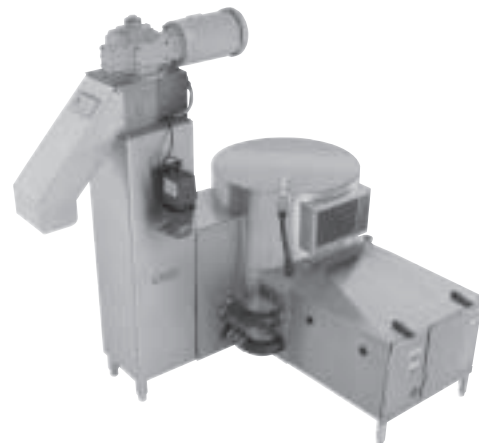
Motorized drain valve.

2nd Remote Start/Stop Switch

Flange-style seismic feet.

Trough magnet.

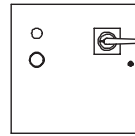
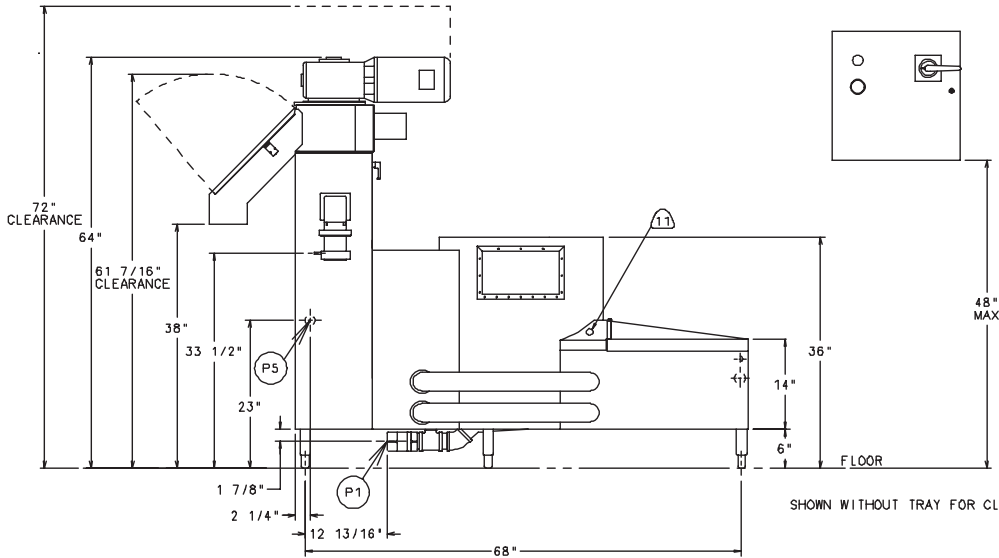
Specifications, Details and Dimensions on Inside and Back.



WPS-1200 WASTE PRO WASTE EQUIPMENT SYSTEM



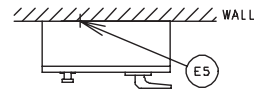
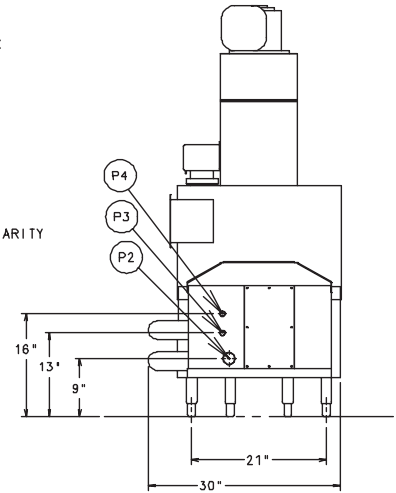
701 S Ridge Avenue, Troy, OH 45374
1-888-4HOBART • www.hobartcorp.com



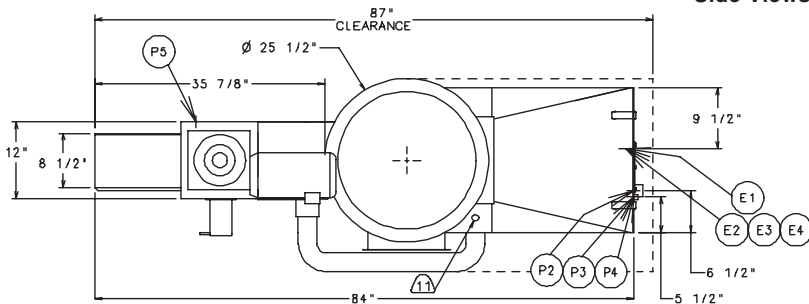
GENERAL NOTES

1. ALL DIMENSIONS TAKEN FROM FLOOR LINE MAY BE INCREASED OR DECREASED BY 3/4".
2. ELECTRICAL CONTROL PANEL, BY HOBART, SHOULD BE LOCATED WITHIN SIGHT OF PULPER AND BE EASILY ACCESSIBLE.
3. APPROXIMATE SHIPPING WEIGHT: 875 LBS.
4. OVERALL CRATE SIZE: 30"W X 88"L X 72"H. MAX (175 CU. FT.)

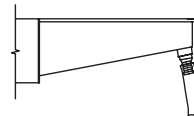
Side Views - All Models



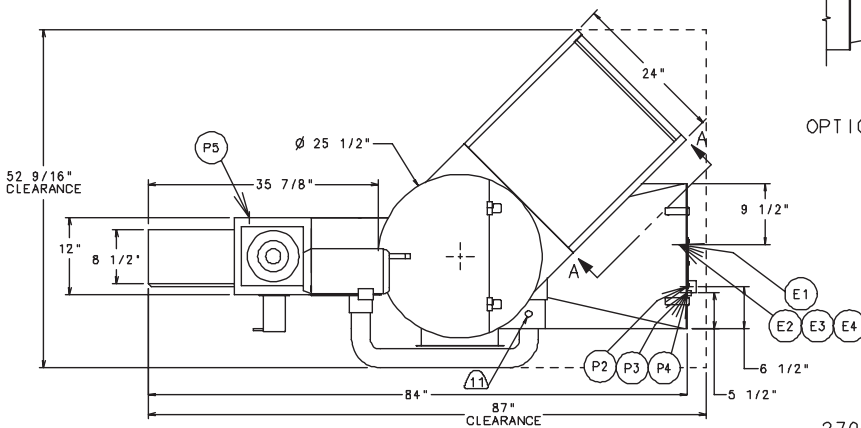
WALL MOUNTED CONTROL BOX
(ELECTRICAL CONDUIT HOLES TO BE ADDED AT TIME OF INSTALLATION)



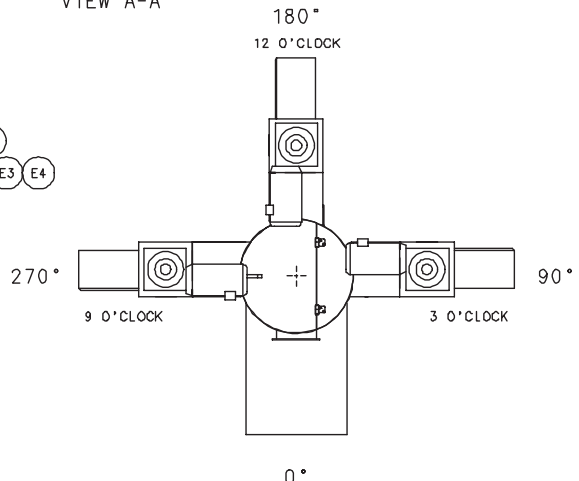
Top View - WPS1200 Undercounter



OPTIONAL FEED TRAY
VIEW A-A



Top View - WPS1200 Free Standing



OPTIONAL POSITIONING
SPECIFIC LAYOUT TO BE DETERMINED BY FACTORY

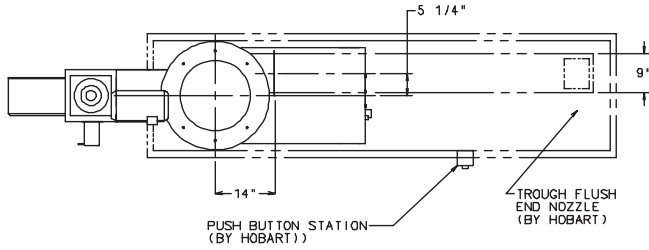
CONNECTION INFORMATION (AFF - ABOVE FINISHED FLOOR)

- | | |
|---|---|
| E1 ELECTRICAL CONNECTION - PULPER DRIVE MOTOR. | P1 DRAIN VALVE OUTLET CONNECTION (PIPE TO FLOOR SINK), 2" NPT (MALE), 4" AFF. |
| E2 ELECTRICAL CONNECTION - WATERPRESS DRIVE MOTOR | P2 RETURN WATER OUTLET CONNECTION, 1-1/2" FPT (MALE), 9" AFF. |
| E3 ELECTRICAL CONNECTION - RETURN PUMP MOTOR | P3 FRESH COLD WATER INLET CONNECTION, 1/2" FPT (FEMALE), 13" AFF. |
| E4 ELECTRICAL CONNECTION - CHEMICAL ADDITIVE PUMP | P4 FRESH HOT WATER INLET CONNECTION, 1/2" FPT (FEMALE), 16" AFF. |
| E5 ELECTRICAL CONNECTION - SERVICE SUPPLY 1-3/4" CONDUIT HOLE | P5 OVERFLOW OUTLET CONNECTION, 1-1/2" FPT (FEMALE), 23" AFF. |

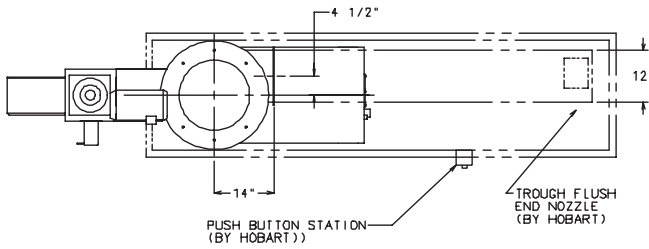


701 S Ridge Avenue, Troy, OH 45374
1-888-4HOBART • www.hobartcorp.com

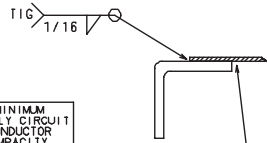
WPS-1200 WASTE PRO WASTE EQUIPMENT SYSTEM



PLAN VIEW WPS-1200 UC PULPER
SHOWN WITH 9" TROUGH CONNECTION

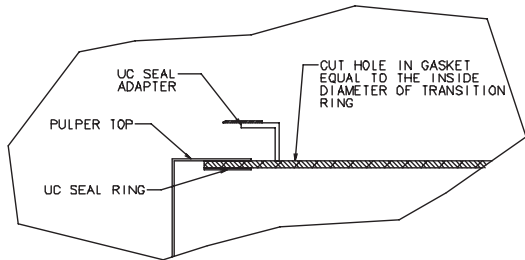


PLAN VIEW WPS-1200 UC PULPER
SHOWN WITH 12" TROUGH CONNECTION



DETAIL "A"
INTERMITTENT TACK WELD TO UNDERSIDE OF TABLE TOP. HOLE IN TABLE SHOULD BE 18-1/2" DIA ± 1/16"
UC TRANSITION RING ATTACHMENT TO TABLE

POWER SUPPLY	PULPER MOTOR	RETURN PUMP MOTOR	WATER PRESS MOTOR	RATED AMPS	MINIMUM SUPPLY CIRCUIT CONDUCTOR AMPACITY
208/60/3	6 HP	3 HP	2 HP	30.8	35
230/60/3	6 HP	3 HP	2 HP	29.6	35
460/60/3	6 HP	3 HP	2 HP	14.8	20

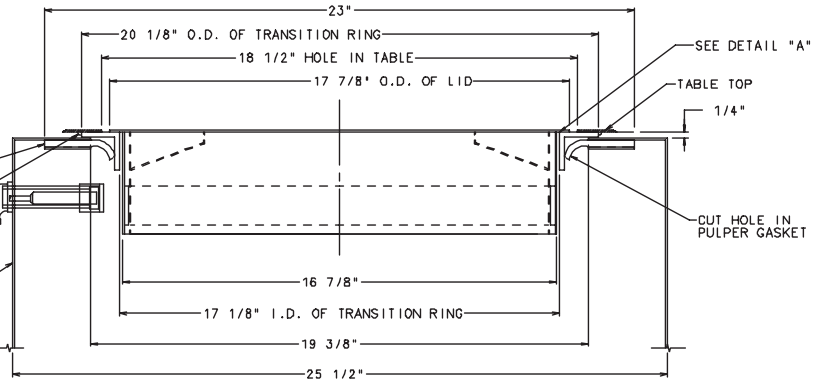


WARNING

ELECTRICAL AND GROUNDING CONNECTIONS MUST COMPLY WITH THE APPLICABLE PORTIONS OF THE NATIONAL ELECTRICAL CODE AND/OR OTHER LOCAL ELECTRICAL CODES.

PLUMBING CONNECTIONS MUST COMPLY WITH APPLICABLE SANITARY, SAFETY AND PLUMBING CODES.

MODEL: WPS1200 FS/UC
OPERATION
E-316102/E-316103
REV. B



THE UC GASKET IS HELD TO THE UNDERSIDE OF THE PULPER TOP BY THE TWO HALVES OF THE TOP SEAL RING AND WELD STUDS. ELEVATE THE PULPER UNTIL THE GASKET IS IN CONTACT WITH THE BOTTOM EDGE OF THE UC TRANSITION RING. FROM THE INSIDE OF THE PULPER, CUT A HOLE IN THE GASKET USING THE TRANSITION RING AS A GUIDE (ROUGHLY 17-1/8"). ELEVATE THE PULPER THE REMAINDER OF THE WAY SINKING THE TRANSITION RING INTO THE HOLE IN THE GASKET. AS THE PULPER IS ELEVATED, PULPER THROUGH CONNECTION AND TABLE TROUGH FLANGE MUST BE ALIGNED.

WPS-1200 UNDERCOUNTER MOUNTING DETAIL

PLUMBING NOTES

- CUSTOMER TO PROVIDE PIPING FROM FRESH WATER SUPPLY TO PULPER AND FROM PULPER DRAIN LINE TO FLOOR SINK OR FLOOR DRAIN. RECOMMENDED BUILDING FLOWING WATER PRESSURE TO THE PULPER IS 30 PSIG MIN (12 GPM). IF FRESH WATER SUPPLY PRESSURE IS HIGHER THAN 45 PSIG, A PRESSURE REGULATING VALVE MUST BE INSTALLED IN THE WATER LINE (BY OTHERS).
- RECOMMENDED PIPING TO BE STANDARD TYPE "M" COPPER.
- TROUGH RETURN WATER PIPING TO BE TYPE L COPPER, SCHEDULE 40 GALVANIZED OR EQUIVALENT (PVC PIPING NOT ACCEPTABLE)
- TERMINATE FRESH WATER LINE AND TROUGH CONNECTIONS WITH UNION OR FLANGE TYPE FITTING.
- HOT AND COLD WATER HOSE BIBS (FOR DAILY CLEANING OF UNIT), TO BE INSTALLED CLEAR OF BUT ACCESSIBLE TO UNIT, WITH A HEAVY DUTY HOSE AND SQUEEZE VALVE. (SUPPLIED BY OTHERS).
- FLOOR DRAIN OR FLOOR SINK (ACCORDING TO LOCAL CODE REQUIREMENTS), TO BE KEPT CLEAR OF, BUT ACCESSIBLE TO THE UNIT.
- PROTECT ALL EQUIPMENT AND RELATED PIPING FROM FREEZING TEMPERATURES AND CONDENSATION.
- PLUMBING MUST RUN UPHILL TO TROUGH CONNECTION.
- IF 3/8" AIR LINE IS RUN UNDERGROUND, A LOOP SEAL EXTENDING 3" ABOVE THE HIGHEST POINT ON THE PULPER MUST BE PROVIDED.
- NO EXTERNAL STRAIN TO BE EXERTED ON HOBART EQUIPMENT.
- ⚠️ DRAIN FLUSH LINE, 1" Ø HOSE PROVIDED, (CONNECT TO PIPE NIPPLE ON SILVER SAVER WITH HOSE CLAMP)

ELECTRICAL NOTES

- ELECTRICAL CONTROL PANEL IS A SURFACE MOUNTED ENCLOSURE AVAILABLE IN NEMA 4 (SST), CLOSED COUPLED-(20 X 20 X 8), REMOTE-(20 X 20 X 8), WATERPRESS-(24 X 20 X 8).
- EACH ELECTRICAL CONTROL PANEL IS PREWIRED FROM THE FACTORY AND CONTAINS THE FOLLOWING ITEMS:
 - MAIN CIRCUIT BREAKER (THERMAL MAGNETIC) INTERLOCKED WITH DOOR HANDLE
 - MAGNETIC CONTROLLER WITH OVERCURRENT PROTECTION FOR EACH MOTOR.
 - STEP-DOWN TRANSFORMER FOR 115 VOLT (NOMINAL) CONTROL CIRCUIT OPERATION.
 - ALL CONTROLS DESIGNED TO MEET THE REQUIREMENTS OF UL-508
- CONTROL CIRCUIT TO BE 115 VAC NOMINAL
- ALL CONTROL PANELS ARE TO BE WIRED IN ACCORDANCE TO LOCAL STATE AND/OR NATIONAL ELECTRIC CODE SPECIFICATIONS
- REMOTE PUSHBUTTON STATION TO BE MOUNTED & WIRED AT WORKSTATION BY CUSTOMER. (BRACKET SUPPLIED BY CUSTOMER)
- REMOTE PUSH BUTTON STATION HOUSES TWO (2) ILLUMINATED PUSH BUTTONS.
- EQUIPMENT DRIVE MOTORS ARE PROVIDED AS FOLLOWS:
 - PULPER DRIVE MOTOR IS TOTALLY ENCLOSED, FAN COOLED.
 - RECIRCULATING PUMP MOTOR IS TOTALLY ENCLOSED, FAN COOLED.
 - WATERPRESS MOTOR IS TOTALLY ENCLOSED, FAN COOLED.
- CUSTOMER TO PROVIDE ALL INTERCONNECTING WIRING FROM PREWIRED ELECTRICAL CONTROL PANEL TO PREWIRED TERMINAL BLOCKS, ELECTRICAL WIRING DIAGRAM PROVIDED WITH EACH PULPER.

WPS-1200 WASTE PRO WASTE EQUIPMENT SYSTEM



701 S Ridge Avenue, Troy, OH 45374
1-888-4HOBART • www.hobartcorp.com

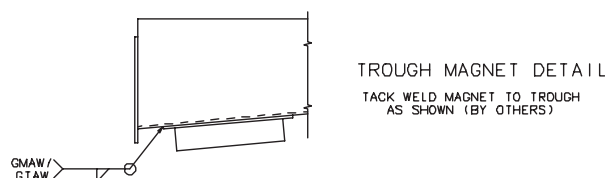
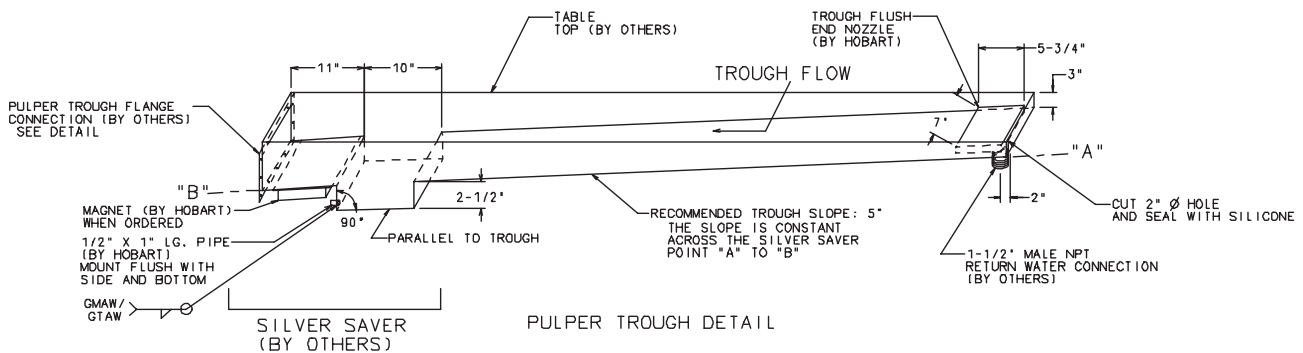
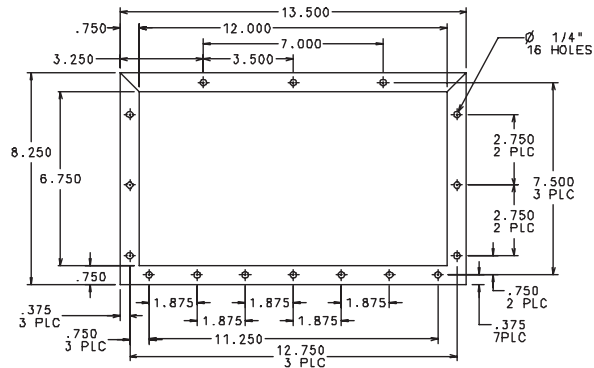
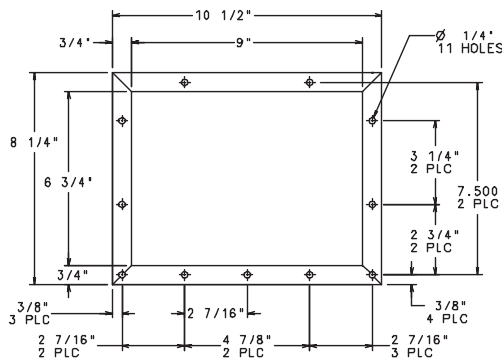
Benefits of Waste Equipment

- Up to 88% reduction of waste volume.
- Savings on water usage.
- Reduced sewer costs.
- Labor Savings:
 - Reduction in man hours to haul waste to pick-up area.
 - Eliminates the need to sort paper from food waste.

- Dishwashing labor reduced by speeding up the scrapping operation.
- Reduction in solids discharged to sewer lines as compared to a food waste disposer.

* Based on foodservice waste mix of 41% food soil, 32% free liquid, 10% paper, 11% cardboard, 2.2% polystyrene, 1% film, 1% miscellaneous, 1% polypropylene (e.g. straws). Always consult your local Hobart representative to review and verify the content of your waste mix.

TABLE TROUGH CONNECTION FLANGES



As continued product improvement is a policy of Hobart, specifications are subject to change without notice.