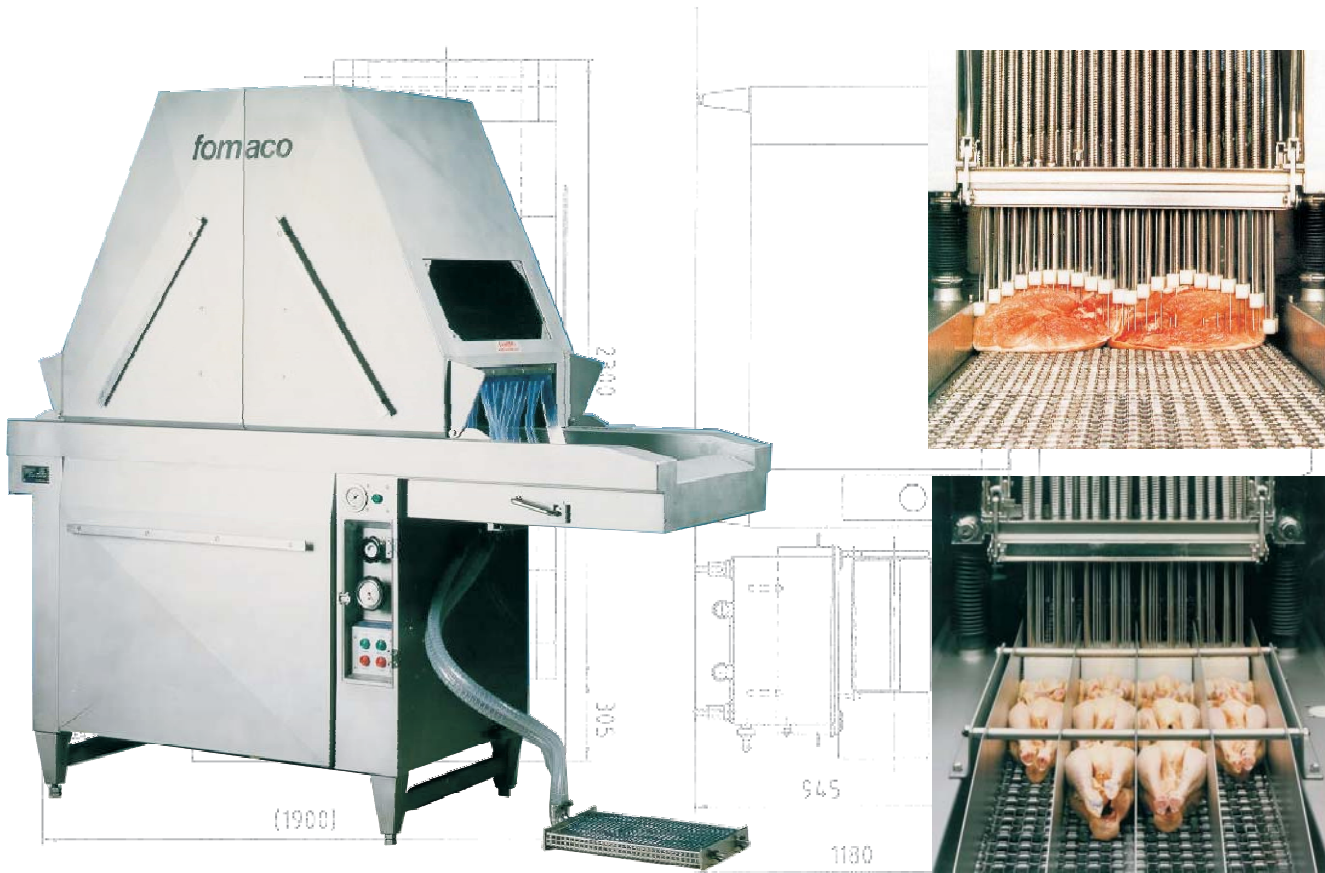
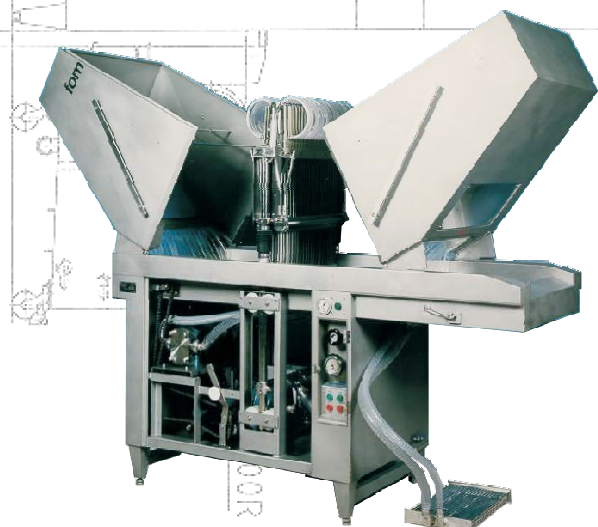


The injector that does not care what product it pumps



For sanitation - conveyor belt easily removed without using tools.

Easy access to all parts of machine for cleaning control and maintenance. Notice complete stainless steel pump.



Accuracy and reliability are the keywords for **fomaco**

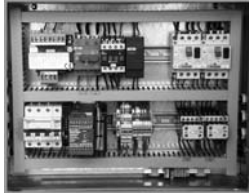
fomaco FGM 26/52, FGM 34/68, FGM 44/88, FGM 54/108



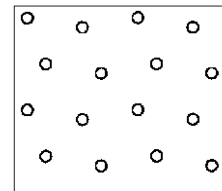
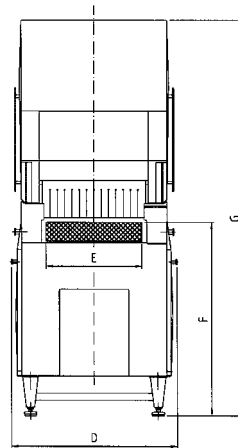
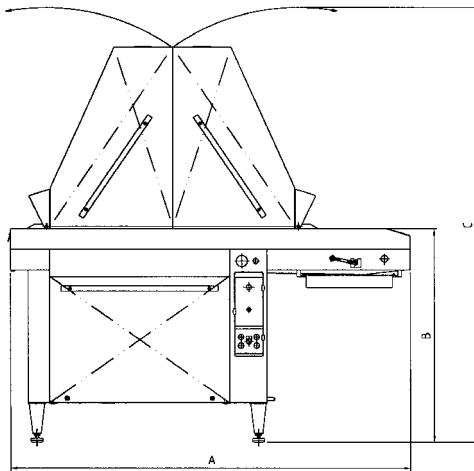
Pressure equalizing tank with easy access for inspection and cleaning.



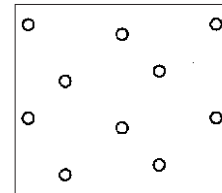
Gearshift for easy change of injection pattern.



Stainless steel waterproof box (IP 65) for electrical controls.



Double needle pattern at 30 mm advancement per stroke of needle bridge.



Double needle pattern at 50 mm advancement per stroke of needle bridge.

Model:	A	B	C	D	E	F	G
FGM 26/52	2100	1160	2430	690	335	1050	2200
FGM 34/68	2100	1160	2430	790	425	1050	2200
FGM 44/88	2300	1230	2500	950	550	1115	2250
FGM 54/108	2300	1230	2500	1075	675	1115	2250

Specifications	FGM 26/52	FGM 34/68	FGM 44/88	FGM 54/108
Needle bridge motor:	1,5 kW	1,5 kW	1,5 kW	2,2 kW
Pump motor:	1,1 kW	1,5 kW	1,5 kW	2,2 kW
Pump capacity:	55 l/min.	85 l/min.	104 l/min.	104 l/min.
Pump model:	IBEX 610X	Albin SLP115	Classic IC 20	Classic IC 20
Needles:	26 & 52	34 & 68	44 & 88	54 & 108
Speed (stroke/min.):	20-70	20-70	20-70	20-70
Conveyor belt advancement per stroke of needle bridge:	30/50mm	30/50mm	30/50mm	30/50mm

fomaco

Food Machinery Company A/S
Sandvadsvej 9
DK-4600 Køge • Denmark
Phone: +45 56 63 20 00
Fax: +45 56 63 20 30
Web: www.fomaco.com
E-mail: sales@fomaco.com

Represented by: