



Systems 400A-800A-1200A-1600A-2000A-2400A



1 MVA PRODySC EO System



333KVA PRODySC EO

Eliminate Process Downtime & Increase Plant Efficiency!

- No Batteries, No Moving Parts
- 99% Efficient
- Eliminates Voltage Sags, Transients and Momentary Outages
- Up to 2 Seconds of Protection
- Sinusoidal Output
- No Over-Sizing Required
- Extended Outage Units Available for Additional Protection
- Ideal for Small Factory or Individual Process.

DySC PART NUMBERS

Phase (s)	Power	Current	Voltage	Wiring	Configuration	Part Number
3∅	333 KVA	400A	480V	3-Wire	Standard	DS30400A480V3SH2000A
				4-Wire		DS30400A480V4SH2000A
				3-Wire	Extended	DS30400A480V3EH2000A
				4-Wire		DS30400A480V4EH2000A
	665 KVA	800A		3-Wire	Standard	DS30800A480V3SH2000A
					Extended	DS30800A480V3EH2000A
	1.0 MVA	1200A		3-Wire	Standard	DS31200A480V3SH2000A
					Extended	DS31200A480V3EH2000A
	1.3 MVA	1600A	3-Wire	Standard	DS31600A480V3SH2000A	
				Extended	DS31600A480V3EH2000A	
	1.7 MVA	2000A	3-Wire	Standard	DS32000A480V3SH2000A	
				Extended	DS32000A480V3EH2000A	
	2.0 MVA	2400A	3-Wire	Standard	DS32400A480V3SH2000A	
				Extended	DS32400A480V3EH2000A	



Systems 400A-800A-1200A-1600A-2000A-2400A



SPECIFICATIONS TABLE

Electrical Input/Output (Static Switch)			
Connection Configuration	Series connected with load. Under normal line condition, the static switch passes utility voltage directly to the load		
Input Voltage	480V _{L-L} , (alternate voltages available) 3 or 4 -wire (3 phase + Neutral) or (3 phase no Neutral)		
Voltage Range	± 10%		
Current Overload (Static Switch)	200% @ 30 Sec.	400% @ 5 Sec.	600% @ 0.5 Sec.
Frequency	50/60 Hz Auto Sensing		
TVSS	Included with switchgear.		
Efficiency	> 99%		
Electrical Output (Inverter)			
Output Voltage	480 V _{L-L} (alternate voltages available) 3 or 4-wire (3 phase + Neutral) or (3 phase no Neutral)		
Voltage Regulation	+5% to -10% of nominal		
Frequency Regulation ¹	50 or 60 Hz ± 0.005%		
Over Current	160% (1.5 crest factor)		
Voltage Waveform	Sine wave		
Response time to sag event	≤ 2 ms.		
Voltage Sag Correction Times			
Definition - Maximum sag correction time: For any sag condition, the DySC shall accumulate up to 2 seconds of correction time operation in a one-minute period. Once accumulated, it shall require a one-minute reset period.			
3 phase 87% to 50% voltage remaining	2 seconds		
**All three phases to zero voltage remaining	3 or 12 cycles (standard or extended outage units). Based on nameplate ratings with a power factor of 0.7, and frequency of 60Hz		
2 phases to 30% voltage remaining	2 seconds		
Single line to zero voltage remaining	2 seconds		
Mechanical			
Enclosure Rating	NEMA 1 (IP20)		
Cable Entry	Top, bottom or side		
Cooling	Filtered forced air cooling		
Access	Front for servicing and connections		
Environmental			
Ambient Temperature	0 to 40°C		
Storage Temperature	-40°C to 75°C		
Relative Humidity	0 to 95% non-condensing		
Altitude	3000m above sea level. Derate maximum ambient of 40°C by 3 °C per 300m of altitude above 1000m (20°C maximum at 3000m)		
Safety			
Agency Approvals	UL 1012, Exceeds SEMI F47 Standard		

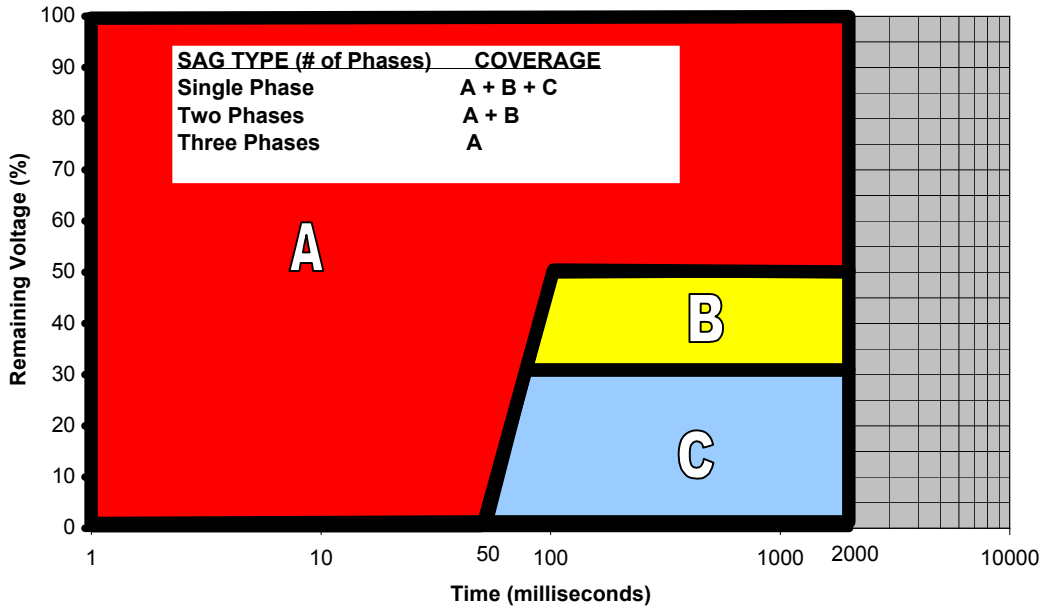


Systems 400A-800A-1200A-1600A-2000A-2400A

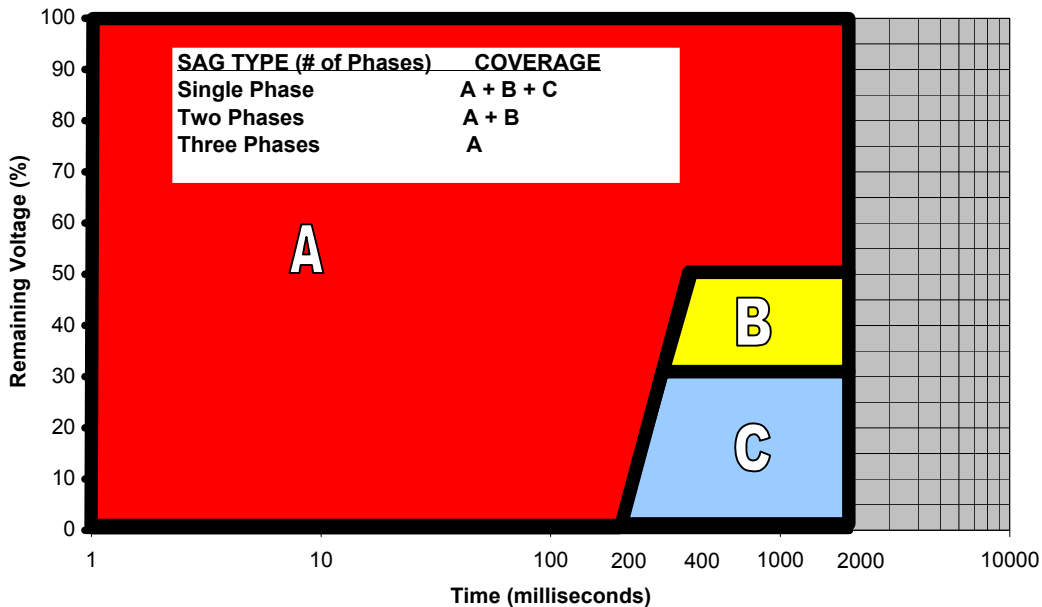


PRODySC PROTECTION AREA

Standard PRODySC Coverage (w/Deep Sag Protection)



Extended PRODySC Coverage (w/Deep Sag)



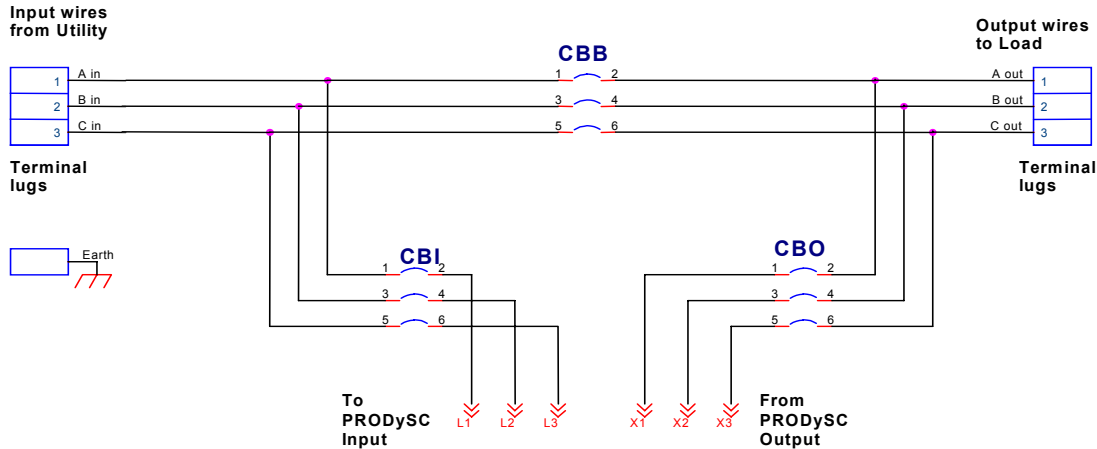
**Power loss Ride-Through times are calculated at 0.7 power factor. Lower power factor loads (relays, coils, etc.) and/or lighter load conditions, extends ride-through time. Contact factory for details.



Systems 400A-800A-1200A-1600A-2000A-2400A



TYPICAL SYSTEM WIRING DIAGRAM



SYSTEM DIMENSIONS & WEIGHTS

Power	Current	Voltage	Wiring	Configuration	Part Number	Estimated Weight (lbs)	Dimensions H" x W" x D"
333 KVA	400A	480V	3-Wire	Standard	DS30400A480V3SH2000A	3,300	102"x 77"x 33"
			4-Wire		DS30400A480V4SH2000A	3,300	102"x 77"x 33"
			3-Wire	Extended	DS30400A480V3EH2000A	4,020	102"x 95"x 33"
			4-Wire		DS30400A480V4EH2000A	4,020	102"x 95"x 33"
665 KVA	800A		3-Wire	Standard	DS30800A480V3SH2000A	4,550	102"x 114"x 33"
				Extended	DS30800A480V3EH2000A	5,990	102"x 150"x 33"
1.0 MVA	1200A		3-Wire	Standard	DS31200A480V3SH2000A	6,375	102"x 171"x 42"
				Extended	DS31200A480V3EH2000A	8,535	102"x 225"x 42"
1.3 MVA	1600A		3-Wire	Standard	DS31600A480V3SH2000A	8,600	102"x 208"x 42"
				Extended	DS31600A480V3EH2000A	11,480	102"x 280"x 42"
1.7 MVA	2000A		3-Wire	Standard	DS32000A480V3SH2000A	10,625	102"x 245"x 42"
				Extended	DS32000A480V3EH2000A	14,225	102"x 335"x 42"
2.0 MVA	2400A	3-Wire	Standard	DS32400A480V3SH2000A	12,550	102"x 350"x 42"	
			Extended	DS32400A480V3EH2000A	16,150	102"x 458"x 42"	



Systems 400A-800A-1200A-1600A-2000A-2400A



EXAMPLE SYSTEM CONFIGURATIONS

