

Equipment Information



© Sealed Air Corporation 2010. F5A_EI_F5A_EU_1110.fm

INDEX:

DESCRIPTION AND KEY FEATURES
LAYOUT
NOMINAL TECHNICAL DATA
CONFIGURATION

Sealed Air GmbH

**Customer Systems Center
D4 Park 4
CH-6039 Root-Längenbold**

Telephone: +41 (0) 41 349 45 00

Telefax: +41 (0) 41 349 45 45

www.sealedair-emea.com

® Reg. U.S. Pat. & TM Off. © Sealed Air Corporation 2010. All rights reserved. Printed in Switzerland
The "9 Dot Logo" and "Sealed Air" are registered trademarks of Sealed Air Corporation (US).

No part of this manual may be reproduced or transmitted to any party without prior expressed written consent from Sealed Air Corporation.

1 Description and key features

1.1 Description

The Shanklin® F5A automatic FloWrap machine is a continuous motion horizontal form-fill-sealer designed to wrap packages effortlessly and efficiently. Built for peak performance, durability and versatility it includes numerous standard features and options that allow customization to application.

The fully automatic operation ensures maximum efficiency at low speeds and up to 75 packages per minute.

Settings are made on the programmable controller with a user-friendly touchscreen control panel for ease of set-up, operation and maintenance. It includes a help diagnostics tool that automatically displays machine faults and corrective actions at the push of a button.

Adjustable product spacing and end seal placement accommodate product length and spacing changes for fast and simple product size changeover.

The efficient side sealer wraps products with neat trim seals on three sides of the package and handles even irregular shapes with ease.

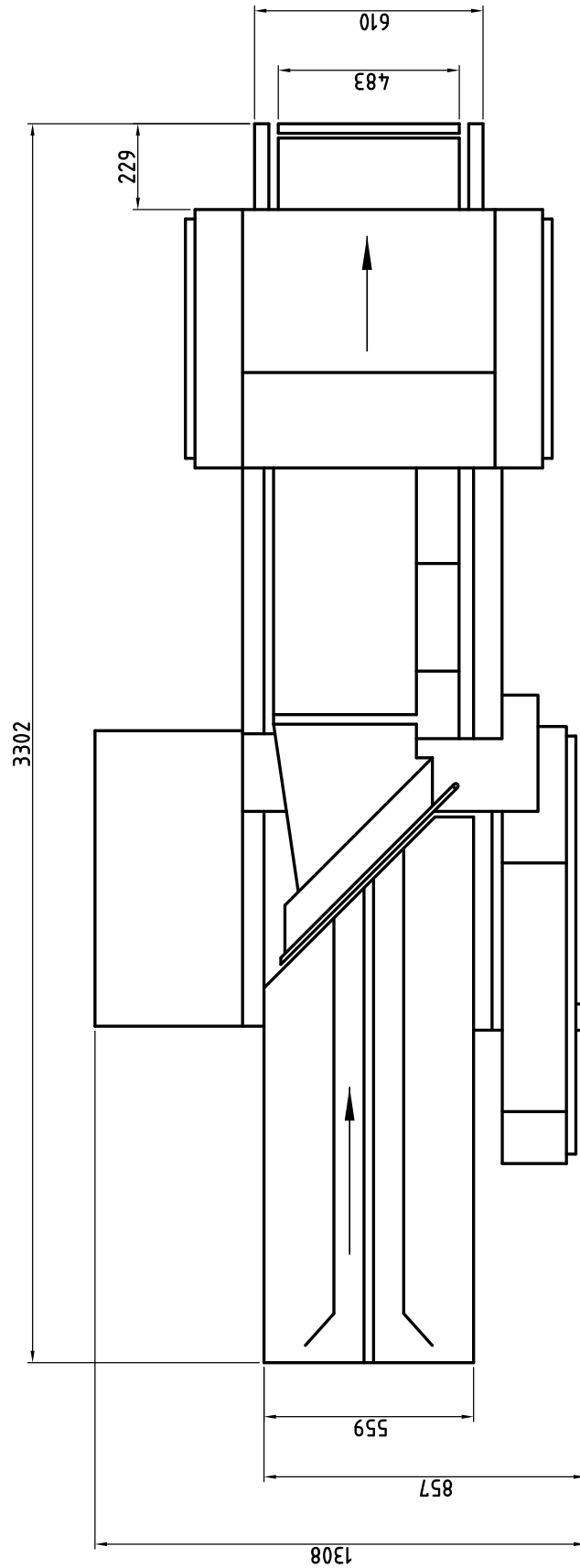
The machine features a flighted lug infeed conveyor for faster operating speeds that can be equipped with quick change flight lugs.

The EZ (easy) load unwind allows for easy loading and changeover of film rolls.

1.2 Key features

- User-friendly control panel
- Full-colour touchscreen
- EZ (easy) load unwind
- High quality painted steel frame
- Reliable hot knife or hot wire sealing system
- Flighted lug infeed in several lengths and pusher/guide heights
- Motorized film unwind and waste recovery system
- Automated help diagnostics tool
- Variator controlled product spacing
- Machine speeds of up to 75 packages per minute
- General purpose pin perforator
- Electronic sealing temperature regulation
- Belt speeds of up to 27 meters per minute
- 25 memorized product settings

2 Layout



© Sealed Air Corporation 2010. F5A_EI_F5A_EU_1110.fm

Fig. 2-1, Layout

3 Nominal technical data

3.1 Machine dimensions


Length, width & height	See machine layout
Conveyor height	900 mm - 1055 mm (1055 mm - 1205 mm with castors)

3.2 Weight


950 kg approx.

3.3 Utilities

3.3.1 Compressed air

 Air type	Clean and dry
Pressure	6 bar
Supply pipe diameter	6.35 mm (1/4") min.
Consumption	1 Nm ³ /h
Connecting fitting	6.35 mm (1/4")

3.3.2 Electrical

 Power supply	230 V
No. of phases	1, neutral + earth
Frequency	50 Hz
Energy consumption per hour (average)	< 3 kWh
Installed power	5 kW
Current protection	20 A

3.4 Working characteristics

3.4.1 Product dimensions

Length	From 75 mm to 1220 mm max.
Width	From 12 mm to 400 mm max.
Height	150 mm max. (up to 250 mm on request)
Weight	10 kg/m max.

3.4.2 Sealing dimensions

Length	1220 mm max.
Width	400 mm max.

3.4.3 Reel dimensions

Width, center-folded	560 mm max.
Width, flat	1120 mm max. (requires center folder option)
Diameter	250 mm max. (325 mm max. with film cradle for double length center-folded film)

3.4.4 Functional details

Working speed	0 - 75 packs/minute (depending on application)
Film speed	27.5 m/min. max.
Noise level	74 dB (A)
No. of operators	1 operator for supervising

4 Configuration

Configuration with standard features, versions and options according to the Equipment Offer EMEA which can be found in the Shrink Packaging portal:
www.myshrinkpackaging-emea.com