

Burford® Servo Twist Tyer

MODEL 2000 - RIGHT HAND, MODEL 2100 - LEFT HAND

**#1 Consumer
Preferred Closure**

- Package Recognition System
- Automatic Timing
- Modular Design
- Quick, Easy Threading
- Multiple Applications
- 100 Plus Bags per Minute
- User Friendly
- No Lubrication Requirements
- One Model for All Systems
- Durable Design for Years of Dependable Service
- #1 Consumer Preferred Closure
- Most Economical Closure

MODEL 2000
WITH OPTIONAL
DIGITAL DISPLAY



PACKAGE
DETECTION
SYSTEM



PRACTICAL SOLUTIONS THROUGH INNOVATIVE TECHNOLOGIES

Burford®
(bc)

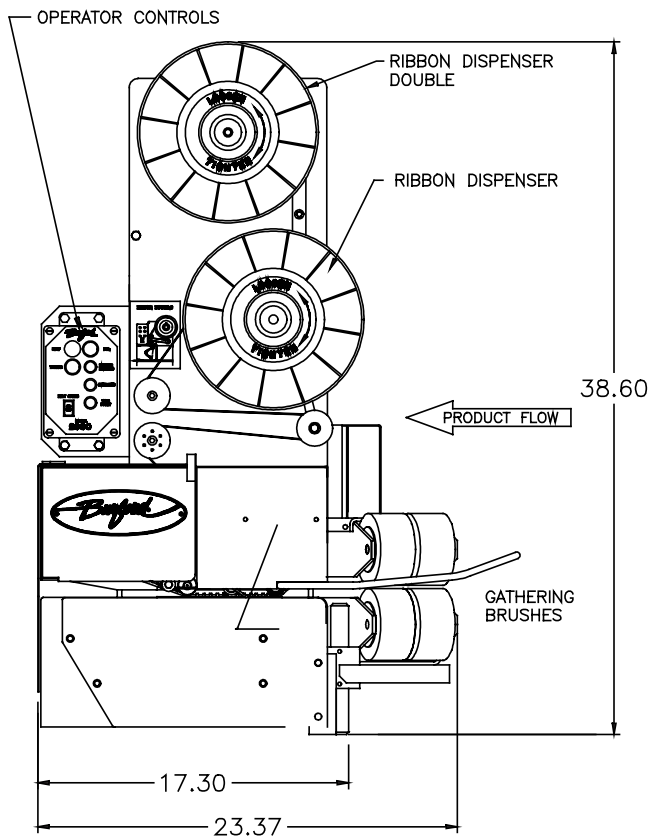
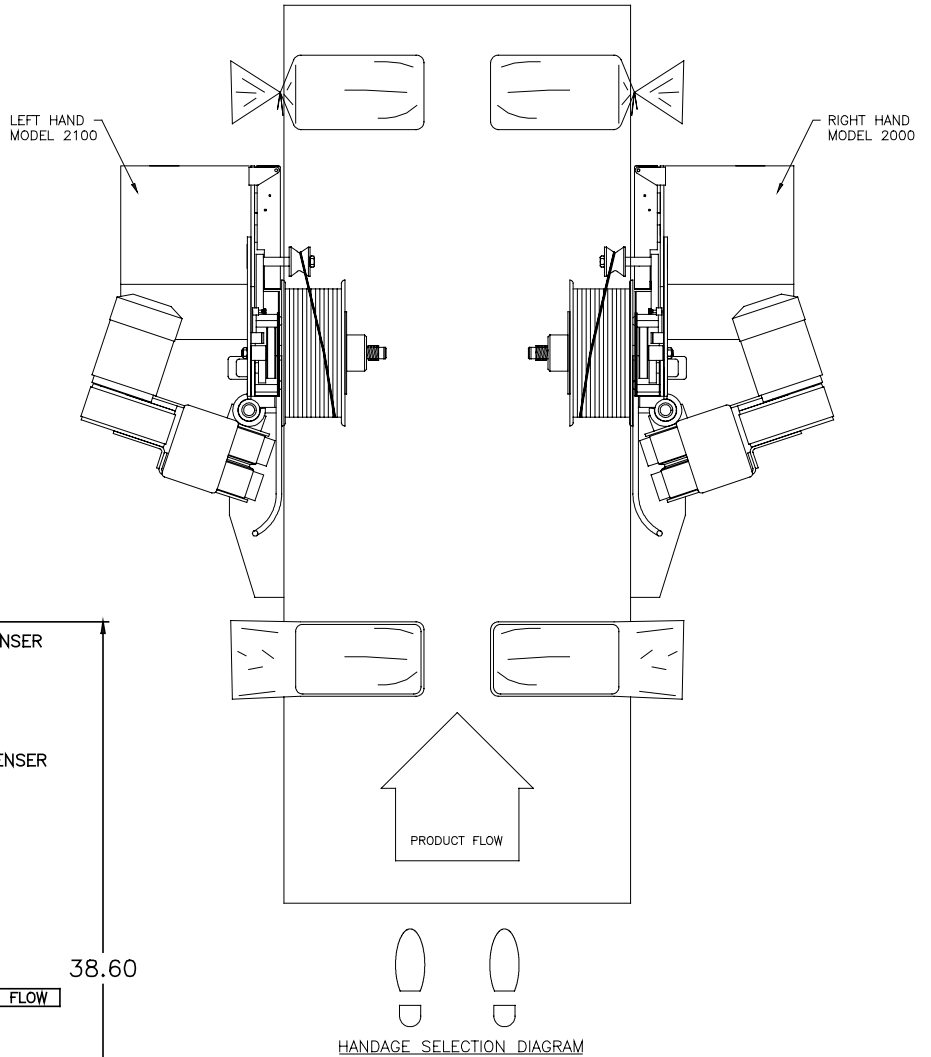
CALL US TODAY 1-877-BURFORD (287-3673)

SERVO TWIST TYER



Options

- Blower Kit
- Speed Sensor Kit
- Digital Display
- Package Detection System
- Height Adjustment
- Portable Stand
- Single Ribbon Spool Assy
- Tamper Evident Closure System



SPECIFICATIONS	
ELECTRICAL:	
	115 VOLTS, 60HZ, 1 PHASE (STANDARD)
	10 SERVICE AMPS
	6.25 AMPS MAX. TYER