



**SAVAGE**  
**BROS. CO.**  
S I N C E 1 8 5 5

1125 Lunt Avenue  
Elk Grove Village, IL 60007-5023 USA

Phone: 847-981-3000  
USA Fax: 800-2-SAVAGE  
World Fax: +847-981-3010

E-mail: info@savagebros.com  
Web: www.savagebros.com

*A 21<sup>st</sup> Century Company . . . with 19<sup>th</sup> Century Craftsmanship*

# Portable Agitator

**A time and labor saver...**

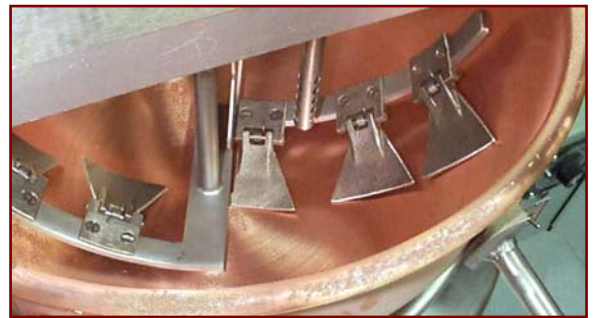
**boost production with every batch, while you are doing other work!**



Portable Agitator shown in a 20"x11" copper kettle on a #20 Gas Stove with optional Digital Thermometer Unit

## Look at these features:

- Spring-loaded scrapers
- Fixed breaker bar adds to mixing action
- Standard: 120V / 60 HZ / 1 Phase / 28 RPM motor  
Optional: 240V / 50 HZ / 1 Phase / 22 RPM motor
- Mounts snugly into kettle handles
- Safety switch permits operation only when level
- Slot for optional digital thermometer unit



Storage Dolly with Drip-pan  
To collect scraper drippings

### For 20"x11" Savage Kettle

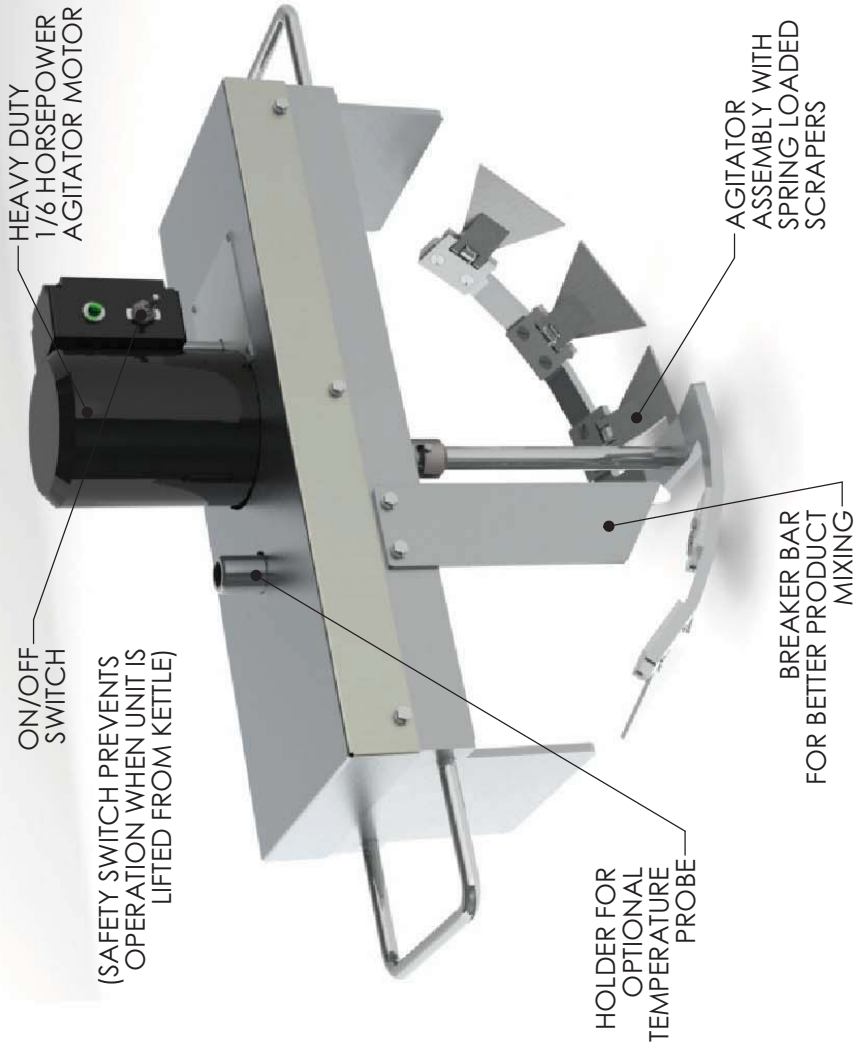
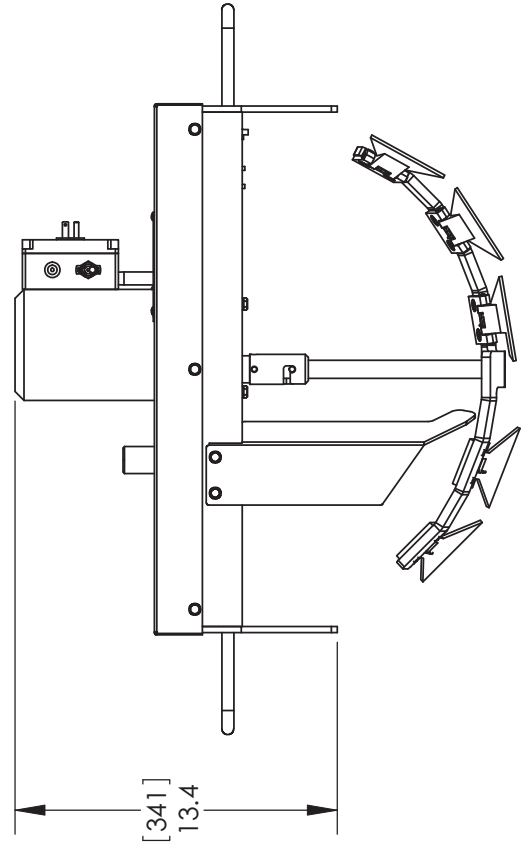
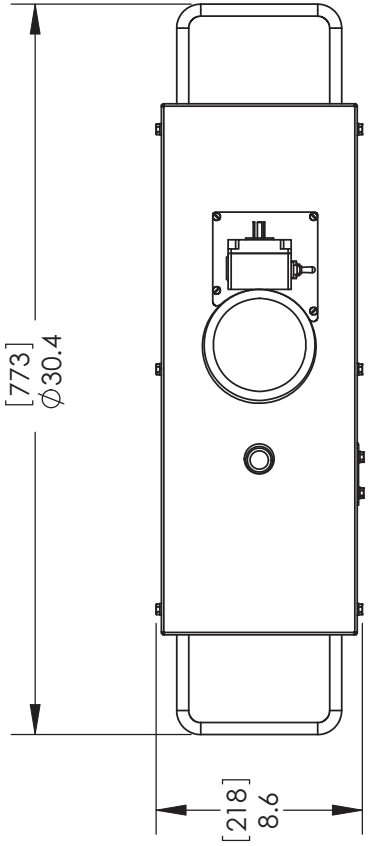
- #1801 – 120VAC 60 Hz Electric
- #1801-80 – 240VAC 50 Hz Electric

### For 20"x 16" Savage Kettle

- #1803 – 120VAC 60 Hz Electric
- #1803-80 – 240VAC 50 Hz Electric

Kettle Thermometer no longer comes with Portable Agitator.  
Digital Thermometer available separately.





DO NOT SCALE DRAWING

**QUOTATION**

FOR QUOTATIONAL PURPOSES ONLY

ALL DESIGNS SUBJECT TO FINAL APPROVAL BEFORE MANUFACTURE

UNLESS OTHERWISE SPECIFIED ALL DIMENSIONS ARE INCHES



**Savage Bros. Co.**  
1125 W. Lunt Ave  
Elk Grove Village, IL 60007 U.S.A.  
Phone: (847) 981 - 3000  
USA Fax: (800) 2 - SAVAGE  
World Fax: (847) 981 - 3010

PORTABLE AGITATOR  
OVERALL DIMENSIONS

DWG. NUM. SD-1801

DRAWN BY MP DATE 04-27-09 SCALE 1:8 SHEET 1 OF 1

UNITS: [MILLIMETERS]  
INCHES