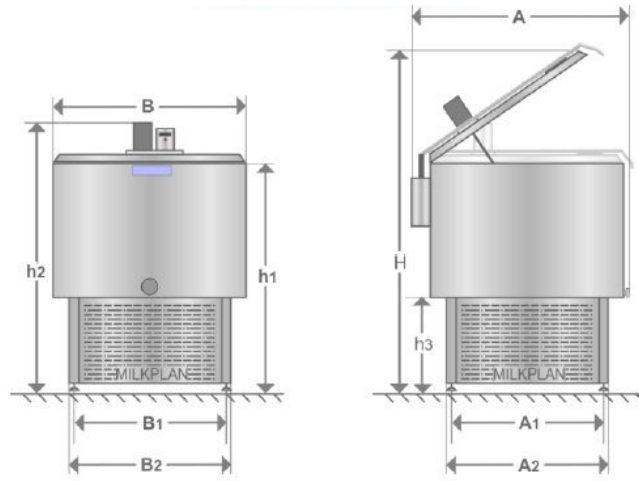


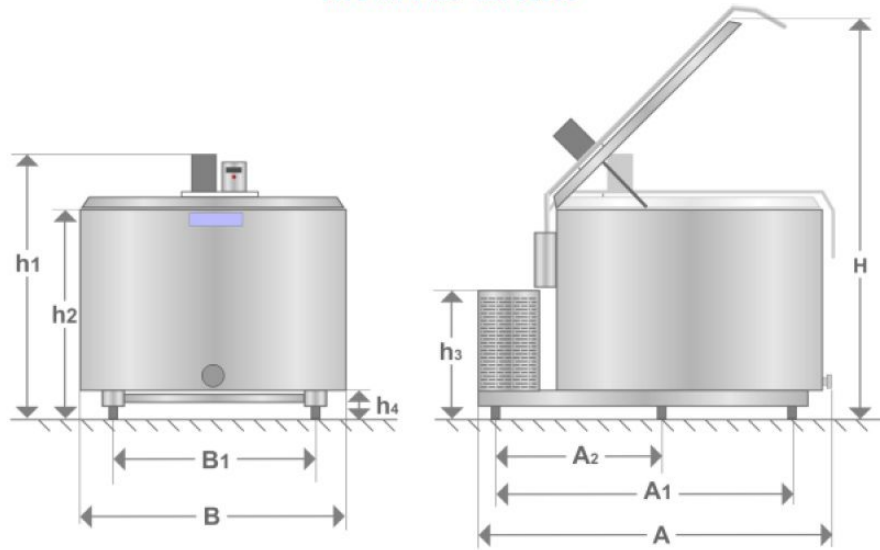
Milkplan Bulk Tanks 14-gallon - 88-gallon: Dimensions & Specs



Dimensions/inches										
Tank Size	A	A1	A2	B	B1	B2	H	h1	h2	h3
14-gallon	22.0	11.0	14.4	20.5	11	14.4	53.1	32.3	41.3	17.3
33-gallon	30.7	13.0	15.7	26.8	16.1	19.7	65.4	38.9	46.9	16.5
64-gallon	40.6	20.9	24.0	35.0	20.9	24	59.8	39	48	16.5
88-gallon	44.5	20.9	24.4	39.0	20.9	24	66.9	40.6	49.2	16.5

Technical Specifications									
Tank Size	Max. Capacity (Gallon)	Weight (Pound)	Voltage	Refrigerant type	Refrigeration capacity (Watt)	Maximum Power Rate	Run Current	Maximum Current	
14-gallon	13.7	114.6	110V, 60Hz, 1-phase	R404A	835W, 1/3Hp	580W	7.41A	7.63A	
33-gallon	33.0	158.7	110V, 60Hz, 1-phase	R404A	1023W, 1/2Hp	703W	8.26A	8.5A	
64-gallon	63.6	242.5	110V, 60Hz, 1-phase	R404A	2190W, 1Hp	1303W	14.7A	17.02A	
88-gallon	89.0	282.2	110V, 60Hz, 1-phase	R404A	2578W, 1 1/4Hp	1612W	15.22A	19.45A	

Milkplan Bulk Tanks 112-gallon - 283-gallon: Dimensions & Specs



Dimensions/inches											
Tank Size	A	A1	A2	B	B1	H	h1	h2	h3	h4	H w/ handle
112-gallon	65.7	37.4	-	42.9	26.4	56.9	41.3	32.7	27.0	7.1	61.2
140-gallon	63.8	37.4	-	42.9	26.4	63.8	46.8	38.0	27.0	7.1	67.1
172-gallon	63.0	37.4	-	42.9	26.4	69.5	53.0	44.0	27.0	7.1	72.0
225-gallon	84.3	64.2	-	50.8	36.4	68.5	49.8	40.9	27.0	7.6	78.1
283-gallon	92.5	52.0	17.7	58.8	35.8	77.7	49.2	39.7	33.1	7.6	77.8

Technical Specifications									
Tank Size	Max. Capacity (Gallon)	Weight (Pound)	Voltage	Refrigerant type	Refrigerati on capacity (Watt)	Max. Power Rate	Run Current	Max. Current	
112-gallon	112.3	374.8	220V, 60Hz, 1-phase	R 404A	3811W, 1.5Hp	2149W	10.14A	16.00A	
140-gallon	140.5	388.0	220V, 60Hz, 1-phase	R 404A	3811W, 1.5Hp	2149W	10.14A	16.00A	
172-gallon	174.1	445.3	220V, 60Hz, 1-phase	R 404A	4267W, 2Hp	2396W	10.74A	19.20A	
225-gallon	224.3	560.0	220V, 60Hz, 1-phase	R 404A	6219W, 2.5Hp	3186W	14.05A	24.15A	
283-gallon	285.6	628.3	220V, 60Hz, 1-phase	R 404A	7822W, 3Hp	3978W	18.59A	28.75A	