

OPEN TYPE MILK COOLING TANKS



■ OPEN TYPE
MILK COOLING TANKS
MP Vertitank



MPV 50L



MPV 100L



MPV 300L



MPV 500L



MPV 1000L

Modern laser technology!

Each milk cooling tank's evaporator plate, which is the system's heart, has been welded with state-of-the-art laser technology.

Its installation in the tank, its special design, the appropriate selection of materials used and the diamond weld pattern, all serve to ensure energy loss reduction, zero coolant leakage and direct dissipation of the milk's heat while avoiding the creation of ice particles.

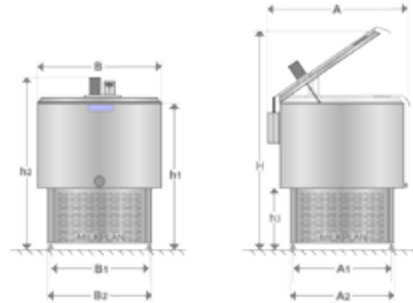
The difference is in the details!

The simplicity of use of the milk cooling tanks is ensured by a number of important technical details, such as careful arrangement of the cooling unit, slope design, optimal agitation positioning, ergonomic manholes, control of the washing system and easy leveling. MILKPLAN's expertise in improving perfection has ensured the ceaseless of its tanks in livestock farms all over the world.

■ SPECIFICATIONS

50lt to 300lt

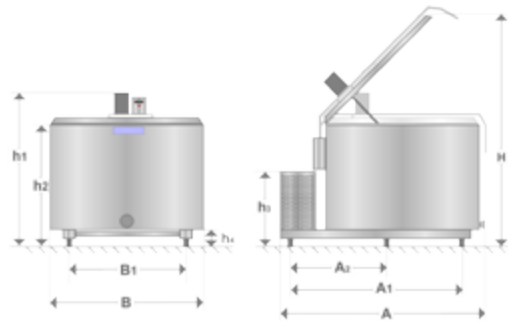
Tanks from 50lt to 300lt are mainly suitable for sheep and goats farms and can serve milk collection of two or four milkings.



Type of tank	A	A1	A2	B	B1	B2	H	h1	h2	h3
MPV 50	560	280	365	520	280	365	1350	1050	820	440
MPV 100	780	330	400	680	410	500	1660	1190	980	420
MPV 200	1030	530	610	890	530	610	1520	1220	990	420
MPV 300	1130	530	620	990	530	610	1700	1250	1030	420

400lt to 2500lt

Tanks from 400lt to 2500lt can serve small units of cow milking, as well as big units of sheep and goat milking.



Type of tank	A	A1	A2	B	B1	B2	H	h1	h2	h3
MPV 400	1600	950	-	1090	670	1445	1050	830	685	180
MPV 500	1600	950	-	1090	670	1620	1190	965	680	180
MPV 650	1600	950	-	1090	670	1765	1345	1120	750	180
MPV 800	1770	1310	-	1290	925	1910	1265	1040	685	192
MPV 1000	2050	1320	450	1495	910	1925	1250	1010	840	192
MPV 1250	2050	1320	450	1495	940	2090	1495	1150	840	192
MPV 1500	2275	1560	590	1495	1140	2200	1645	1304	818	192
MPV 2000	2320	1490	680	1840	1130	2200	1510	1200	880	192
MPV 2500	2320	1490	680	1840	1130	2390	1700	1390	1070	192

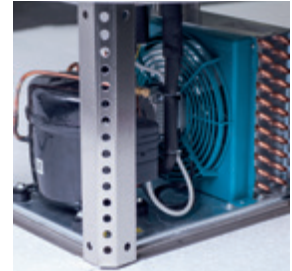
* The specifications mentioned above are subject to change without prior notice as part of the continuous improvement of products and they concern the 2BII models according to EN13732: 2002.

■ OPEN TYPE MILK COOLING TANKS

■ SUPERIOR OPERATIONAL FEATURES

Cooling Unit

The precise calculation of the cooling capacity of each tank allows cooling of milk at the right time according to the needs of the producer. The MP Vertitank models are available in versions 2 or 4 milkings, for normal or high ambient temperatures (tropical models) and are available with European or American made Tecumseh, Maneurop Copeland or Embraco compressors, depending on the needs of the customer. All refrigeration units operate with environmentally friendly Freon R404 and to ensure better performance and protection they are equipped with a solenoid valve, separate high and low pressure switches, an additional pressure switch for controlling the second fan and check valves.



Excellent thermal insulation

The tank insulation with environmentally friendly two components polyurethane foam, allows preservation of milk to the desired temperature while maintaining minimal energy consumption. The insulation thickness is 45mm at the side walls and about 90mm at the base of the tank.



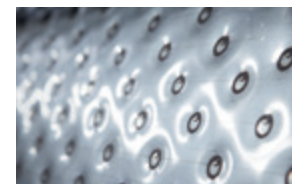
Stainless steel dipstick

To measure the level of milk and to calculate the amount of milk in the tank, Milkplan tanks are equipped with a stainless steel measuring stick and a conversion table in liters.



Direct expansion evaporator

The evaporator of each tank is laser welded and the bottom has the appropriate slope which ensures the complete emptying of the tank in compliance with international standards (ISO 5708).



Easy cleaning

The agitation motor, the electronic control panel and the lifting handle of the tank lid (models above 100l) are elevated, allowing thorough cleaning of the lid and preventing dirt accumulation.



Electronic control panel

The electronic control panel responsible for the cooling and agitation of the milk has an easy to read 3-digit display allowing the simple operation of the milk tank with the touch of a single button. It is based on a Dixell electronic controller designed for application in milk cooling, with fully adjustable parameters and is equipped with a temperature sensor (NTC) IP68 sealed and resistant up to 110 ° C. The panel is IP55 certified and the electronic circuits are protected against the ingress of water or water vapor.



Perforated stainless steel cover

The stainless steel protective perforated covers prevent the entry of small animals and dirt in the cooling unit of the tank, ensuring its nonstop operation. Their easy removal allows direct access to the refrigeration unit for maintenance and repair.



Stainless steel springs

Stainless steel springs (from 1 to 4, depending on the model) provide easy lifting and holding of the tank lid in the open position while also offering high resistance to stress of daily use (models above 200l).



Milk inlet lid

The lid of the milk cooling tanks has a D180mm diameter (two on models 2000l and 2500l) which allows easy inspection of the content and filling the tank. It is covered by a stainless steel lid held in place by a hinge.



Butterfly valve

MP Vertitank milk tanks are available with milk output type DN50, SMS51 or TriClamp and are equipped with a stainless steel butterfly valve. In the case of the DN50 valve, a food grade plastic cap is also included.



Agitation motor with automatic stop

Milk tanks MP Vertitank are equipped with an agitation motor made by French company Sirem, which rotates at 30 rpm to prevent milk foaming. The motor has a gravity switch so that the agitation stops automatically when the tank lid is lifted.



Robust lid with a one piece agitator

The robust lid, without screws on the inside, and the one piece agitator, ensures perfect cleaning and minimizes the risk of milk contamination.



Tank rim

The rim of the tanks is manufactured according to ISO 5708/13732 EN.



Adjustable feet

All MP Vertitank models have adjustable support legs, so absolute levelling is attained even on sloping ground which is a prerequisite for correct measurement of milk.



** Milkplan in its constant effort to improve its products retains the right of positive alterations regarding the specifications mentioned.*