



1000VGF
shown with
stainless conveyor
and optional
locking casters.

1000VGF Pressure Sensitive Labeler

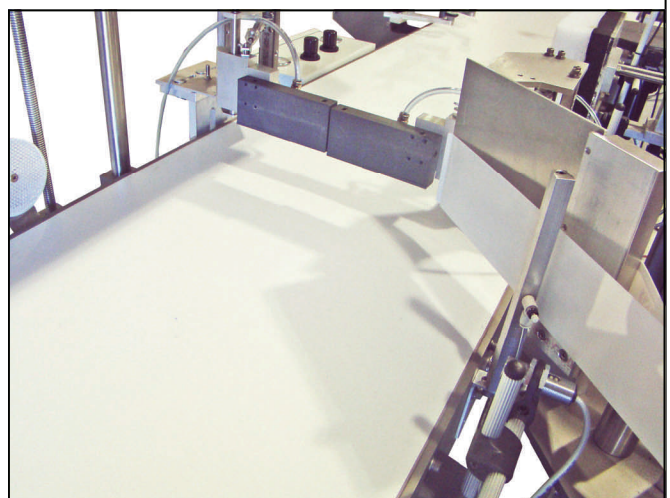
The model 1000 VGF is a fully automatic labeler designed for the accurate placement of long, wrap-around labels on round tapered containers or three sides of a rectangular container.

This is accomplished with the use of two vacuum gates. The label is dispensed across the conveyor and held in place by the vacuum gates. The container travels down the conveyor and makes contact with the extended label.

The vacuum gates serve to wipe the label as they open to allow the container to continue down the conveyor. Brushes complete the wipe-down process.

Consistent, precise label application is controlled through the use of a PLC with photo eye detection of the container and label. The inclusion of stepper motors provides faster and even more accurate label application.

Versatile, easy to operate, and economical, the 1000VGF provides an excellent labeling solution for a difficult application.

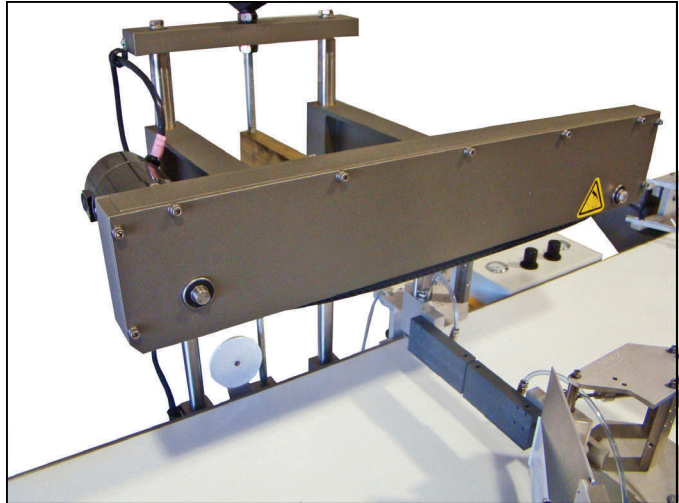


IN-LINE

Labeling Equipment, Inc.

Features

- Label 1" to 5" diameter containers.
- Apply labels from 1" to 4 1/2" tall and 10" long.
- Label can be moved up to 8" from base of container.
- Accepts random or continuous bottle feed.
- Changeovers require no tools and take less than 10 minutes.
- Spacing Wheel standard with machine.
- Labeling speeds to 80 containers per minute.
- 1/8" standard label gap.
- Accepts industry standard 3" diameter core.
- Maximum label roll size of 12".
- Photoeye product detection and photo-eye gap detection.

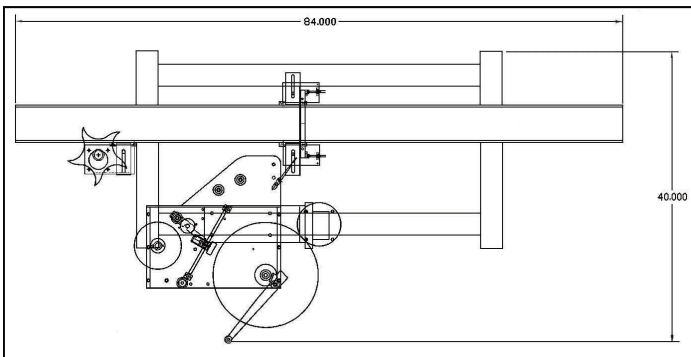


Options

- Hot Stamp coding for lot/date information.
- Locking casters.

Specifications

Conveyor width:	4 1/2"
Conveyor height:	32" Standard (+2" up)
Conveyor length:	84"
Conveyor motor:	1/8 hp variable speed DC drive
Overall machine width:	31"
Overall machine height:	42"
Overall machine weight:	350 pounds
Power requirements:	120 volt AC, 60 cycle, 5 amp power
Compressed air:	3-4 cfm @ 65 psi required



7282 Spa Road
North Charleston, SC 29418
Phone: (843)569-2530
Toll Free: (800)465-4630
Fax: (843)569-2531