

A TECHNICAL GUIDE TO

CAPPING MACHINES

COMPLETE BOTTLING AND PACKAGING SYSTEMS



The Proven Standard @ . . . Since 1941.

KAPS-ALL
PACKAGING SYSTEMS^{INC}

KAPS-ALL CAPPER ®

FILLS-ALL ®

FEED SYSTEMS ®

ORIENTAINER ®

200 Mill Road, Riverhead, NY 11901 USA
Tel. (631) 727-0300 • Fax. (631) 369-5939

www.kapsall.com

In this guide:

Capping machine features	p. 2	Portable cap tightener and retorquer (4, 6 and 8 spindle)	p. 6	Kaps-All innovative engineering . . .	p. 8
The Kaps-All® advantage	p. 2	Overcapper/Lidder	p. 6	Electronic torque meters and monitors . .	p. 9
Anatomy of a typical capper	p. 3	Combination Capper/Overcapper . .	p. 7	Easy-Kap® hand-held cappers	p. 9
Portable 4, 6 and 8 spindle cappers .	p. 4	Bottle carrier/Transporter	p. 7	Exclusive patented capper features . .	p. 10
Standard non-portable 4, 6 and 8 spindle cappers	p. 5	Ball placer/Insertor	p. 7	Bottling and packaging systems . . .	p. 11
		CONVEYS-ALL® conveying systems . .	p. 8	Dimensions and specifications	p. 12

Outstanding Features Offered Only By Kaps-All® Packaging Systems:

- **No changeover parts are necessary** for standard caps and containers. Knob adjustments regulate the fast changeover of virtually any size and shape cap including: tamper evident caps, child safety caps, overcaps and dispenser caps.
- **Standard stainless steel components include:** stainless steel upper and lower cap chutes, stainless steel cap supply hopper, stainless steel guarding throughout, stainless steel rotary feeder, stainless steel conveyor frame, stainless steel shafting, stainless steel screws, stainless steel gripper housings, etc.
- **Handles vials to 2-1/2 gallon containers, made of plastic, glass or metal** without changeover parts for standard containers. (5 gallons on special request).
- **No bottle - no cap safety release.**
- **All cappers come standard with the exclusive Feed Systems® patented stainless steel rotary cap feeder** offering quiet and gentle cap orientation with no changeover parts for all standard caps.
- **All models are available with two sets of bottle gripper belts** for tall or unstable containers providing complete bottle control, consistent torque and eliminating product spillage and cross-threading.
- **Fully adjustable bottle gripper assemblies** are available to accommodate various bottle contours including tapered containers and containers with offset necks.
- **All models can be fitted with several types of cap feeders** such as the standard Feed Systems® rotary cap feeder, optional patented escalator cap feeder or a vibratory cap feeder to accommodate your production requirements.
- **Floor level Bulk Cap Elevators and Mini-“L” cap elevators** are available for all models to accommodate higher speed requirements and restricted ceiling heights.
- **The exclusive “Dial-A-Torque”® patented clutch system** is standard equipment on all models. This heavy-duty clutch system provides a consistent torque for 8mm to 120mm diameter caps of all types and is completely adjustable. (Available as a remotely controlled pneumatic system).
- **Exclusive Kaps-All Electronic Torque Monitoring System** is available for all models, providing a high level of quality assurance. Computer interface (RS-232) is standard for auxiliary functions and data printouts.
- **All models are capable of being used as a cap tightener** for all types of spray pumps, short runs and re-torquing after heat induction foil sealing.
- **All front and rear changeover adjustments** move together on center with calibrated knob settings. No need to adjust machine from behind. Positive centering of your caps and containers eliminate cross threaded caps, misalignments and undue wear of cap tightening discs.
- **Minimum amount of moving parts** are used to reduce maintenance, prevent expensive downtime, avert loss of production and eliminate the need for skilled mechanics. Parts are kept in stock for immediate delivery.
- **NEMA 12 wiring is standard.** Hazardous location wiring and other electrical requirements are available on all models.
- **All cappers are guaranteed for a full 2 years** – the longest in the industry.
- **All capper models are continuously in production** prior to your order enabling us to provide fast delivery.
- **Portable bases available for all models.**
- **Left to right conveyor travel is standard**—right to left models are available.
- **Let Kaps-All Packaging Systems, Inc., become your single source** for all your bottle orienting, unscrambling, cleaning, filling, capping, sealing, conveying, parts feeding, torque testing/torque monitoring and accumulating needs.
- **Other available equipment includes modular conveyor systems, de-capping, gas purging, bench model torque meters, liquid fillers, parts orienting and custom packaging machinery.**
- **Actual orienting, filling, capping and complete bottling demonstrations** are given in our plant using your caps, containers and products.

Kaps-All® Advantages

VERSATILITY—One machine can handle vials to gallons with both screw caps and overcaps of all types. Ideal for the entire spectrum of capping applications.

CAP-ABILITY®— Virtually any cap and container can be run on Kaps-All equipment.

PRODUCTIVITY—Machines are built to run multiple shifts with no down time.

ADAPT-ABILITY—Kaps-All machines are engineered to conform to marketing trends by enabling upgrading or adjusting of production lines without buying additional machinery or expensive change parts.

RELIABILITY— Production tested, state-of-the-art components ensure maximum packaging performance. Thousands of Kaps-All cappers are in service everyday, even the very first units.

REPEAT-ABILITY—With calibrated settings, operators can quickly and accurately change products with minimum downtime.

COST—Competitively priced, high quality, fully equipped capping machines with prompt delivery times. . . unmatched in the industry.

EXPERIENCE—Kaps-All has been designing, engineering and building its capping machines for close to sixty years—longer than any other company. This assures that your package will be capped and torqued consistently every time without damage. That’s why Kaps-All is called “The Proven Standard”® in the capping industry.

DURABILITY—All components and drives are overbuilt, selected and engineered to last for decades (our original machines are still in use today and are running as well as when

they were new). Kaps-All cappers are the workhorse of the industry.

SERVICE-ABILITY—With our network of sales representatives and technicians throughout the world, Kaps-All offers the highest quality of after sales support. This is backed by factory service and a large inventory of in-stock parts.

PATENTS—More than 30 patented features such as “Dial-A-Torque”® clutches, quality control torque monitoring, adjustable settings, etc. are exclusive to Kaps-All products and are not available elsewhere.

CUSTOMER SUPPORT—Our highly-trained technicians with over a hundred years of combined experience offer complete customer support eliminating downtime. Our exclusive 2 year guarantee will keep your equipment running under any application.

ANATOMY OF A TYPICAL KAPS-ALL® CAPPER REQUIRING NO CHANGE OVER PARTS

Patented design Feed Systems® rotary cap Feeder eliminates change parts for all standard caps, including child resistant and tamper evident (standard)

Patented stainless steel upper and lower cap chutes accommodate cap sizes and styles from 8mm to 120mm diameter (13mm to 70mm standard)

Level sensor to maintain level of caps in feeder (Standard)

Standard stainless steel cap supply Hoppers or optional EASY-LOAD® Feed Systems bulk elevator or Mini-"L" elevator (shown below)

THE MOST FLEXIBLE CAPPER AVAILABLE

Take a close look at all these outstanding features offered only

by Kaps-All® . . .

The Proven Standard.®

Since 1941.

Patented design Feed Systems® rotary cap Feeders are constructed of stainless steel (Standard). Vibratory and escalator cap Feeders also available

Cap level viewing window in hopper (Standard)

Two year guarantee on all parts (less belts and discs). The longest in the industry (Standard)

Electronic eye maintains constant supply of caps on demand (Standard)

Electronic torque monitor with digital readout and computer interface provided for alarms, low torque rejection system and down stream line integration (Optional)

All adjustments are repeatable with calibrated scale settings for easy changeovers

Available to conform to the European "CE" directives

Stainless steel bottle gripper belt housings (Standard)

No universal joints or costly mechanical wear parts

Fully adjustable conveyor guide rails with patented up-down and in-out adjustments (Standard with conveyor)

Simplified, easy adjustments virtually eliminate the need for tools

No changeover parts needed for a wide range of cap sizes, container shapes and sizes (standard)

Kaps-All (the originator of the portable "C" frame), offers mobile bases with heavy duty swivel casters (standard for Models BC, BP, E4, A6, C8, FE4, FA6 and FC8)

Remotely controlled pneumatic adjustable clutches with dial setting. Simultaneously adjusts clutches while machine is operating (Optional-Patented)

Gas purging prior to capping available for sensitive products (Optional)

All electronically controlled variable speed drives (Standard)

Exclusive non-marring (FDA approved) oil resistant carrier belts are standard (Patent Pending)

Patented adjustable capping heads accommodates vials to 2-1/2 gallon containers (Standard)

Unique design of bottle grippers allow adjustments both up-down and in-out (Standard)

Exclusive patented design, with heavy duty adjustable torque clutches, give constant torque without marring caps

All models come complete with stainless steel leveling screws with floor pads (Standard)

Simple patented knob adjustments to change to different size caps and containers (Standard)

Stainless steel guarding for upper spindle section (Standard)

Automatic motorized head height adjustment accommodates vials to gallons for quick changeovers

Made In USA



Stainless steel frame conveyor with electronic variable speed drive and 4-1/2" wide Delrin chain (Standard)

Automatic motorized head height adjustment accommodates vials to gallons for quick changeovers

Independently adjustable bottle gripper belts for tapered containers and special applications. (Patented - Optional)

One or two pairs of bottle gripper belts available on all models for complete torque control and no bottle spillage (One set standard)

Stainless steel guard enclosure with Lexan doors on front and back enclosing spindle and gripper section down to conveyor (standard)

Award-Winning Patented Designs

We capped the package of the year . . . and won numerous awards, with the capper that has been doing it best for nearly 60 years!



Model C8
PORTABLE
8 SPINDLE CAPPER

Speeds From 20 To 400 BPM*

Model A6
PORTABLE
6 SPINDLE CAPPER

Speeds From 20 To 200 BPM*

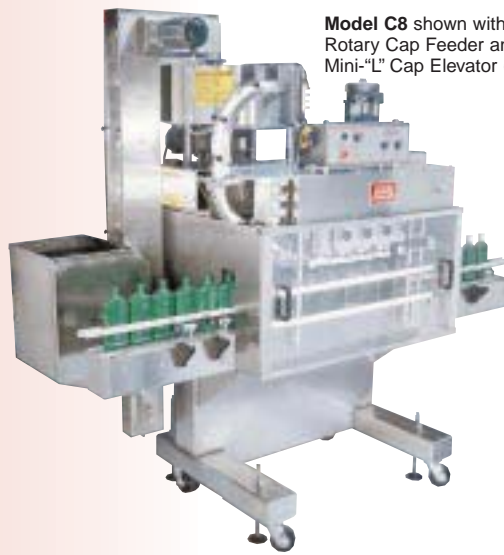
Model E4
PORTABLE
4 SPINDLE CAPPER

Speeds From 20 To 80 BPM*

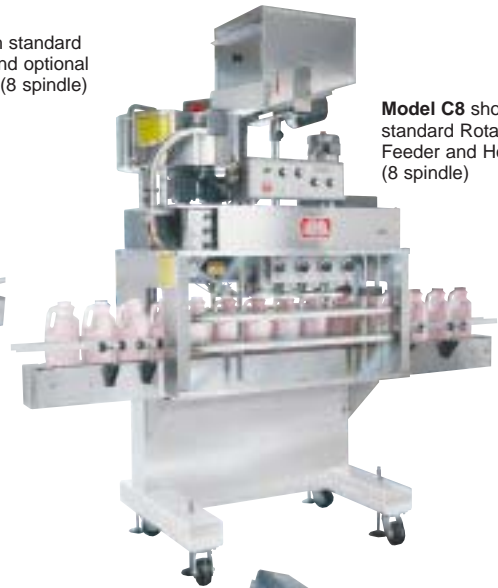
FEATURES FOR MODELS C8, A6 AND E4 CAPPERS:

- Fully Automatic
- Available with or without conveyor
- **Model E4** handles caps of all materials from 8mm to 70mm including pilfer evident and child resistant cap closures (standard range is 13mm to 70mm)
- **Models A6 and C8** handle caps of all materials from 8mm to 120mm including pilfer evident and child resistant cap closures (standard range is 13mm to 70mm)
- Portability allows versatility for automatic capping; easily moved from one production line to another
- Handles metal, glass or plastic containers from low jars and vials up to 2-1/2 gallons
- Easily converted to a combination screwcapper/overcapper similar to the Model G
- Comes with standard rotary cap feeder (optional escalator cap feeder or vibratory cap feeder available on A6 and C8)
- Can be used as a cap and pump tightener
- Comes standard with clutches for screw capping
- Stainless steel guard enclosure with Lexan doors on front and back enclosing spindle and gripper section down to conveyor

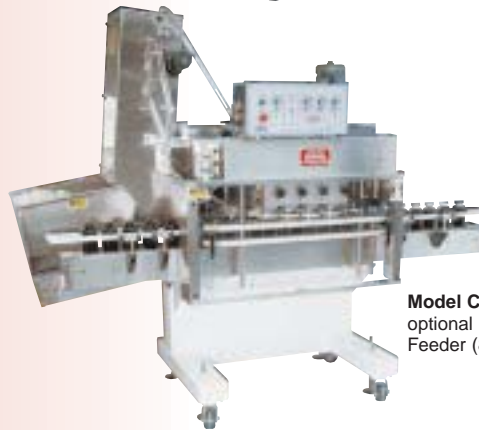
* Actual speeds may vary based on bottle and cap type and size



Model C8 shown with standard Rotary Cap Feeder and optional Mini-'L' Cap Elevator (8 spindle)



Model C8 shown with standard Rotary Cap Feeder and Hopper (8 spindle)



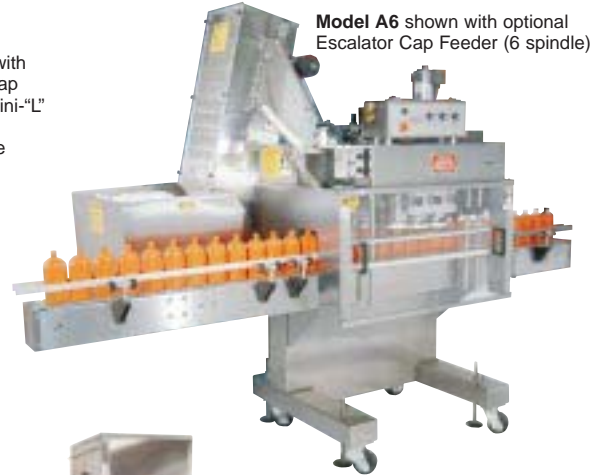
Model C8 shown with standard Rotary Cap Feeder, optional Bulk Elevator and optional Automatic Torque Monitor (8 spindle)



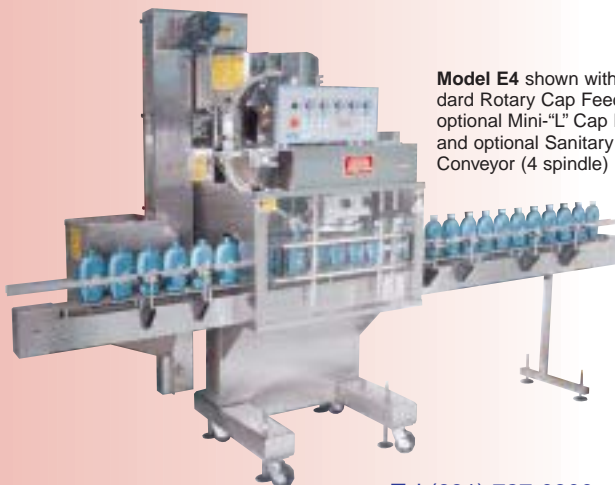
Model C8 shown with optional Escalator Cap Feeder (8 spindle)



Model A6 shown with standard Rotary Cap Feeder, optional Mini-'L' Cap Elevator and optional torque monitor (6 spindle)



Model A6 shown with optional Escalator Cap Feeder (6 spindle)



Model E4 shown with standard Rotary Cap Feeder, optional Mini-'L' Cap Elevator and optional Sanitary Conveyor (4 spindle)



Model E4 shown with standard Rotary Cap Feeder, Hopper and **Model FS-SA 48** Accumulating Table (4 spindle)

Model C

Automatic, Non-Portable 8 SPINDLE CAPPER

Speeds From 20 To 400 BPM*

Model A

Automatic, Non-Portable 6 SPINDLE CAPPER

Speeds From 20 To 200 BPM*

Model D

Automatic, Non-Portable 4 SPINDLE CAPPER

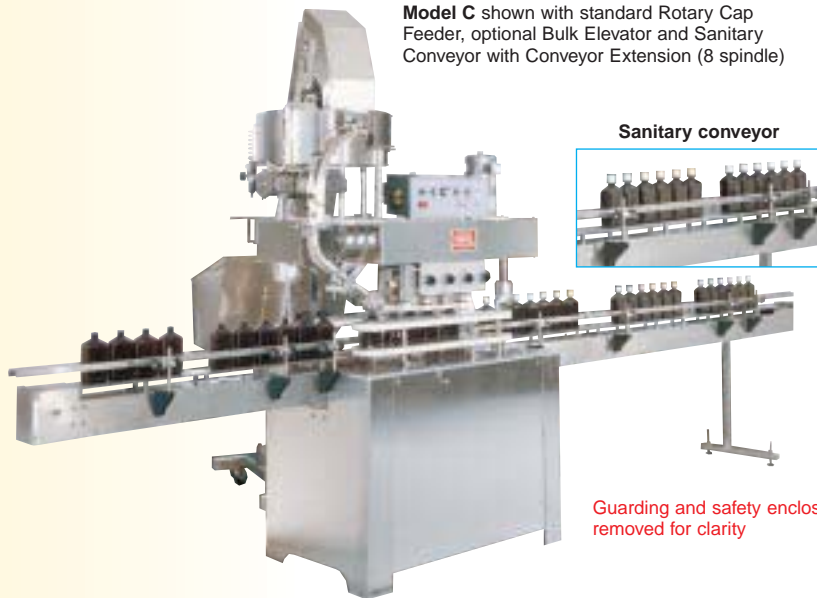
Speeds From 20 To 100 BPM*

FEATURES FOR MODELS C, A AND D CAPPERS:

- Fully Automatic
- **Model D** handles caps of all materials from 8mm to 70mm including pilfer evident and child resistant cap closures (standard range is 13mm to 70mm)
- **Models A and C** handle caps of all materials from 8mm to 120mm including pilfer evident and child resistant cap closures (standard range is 13mm to 70mm)
- Handles metal, glass or plastic containers from low jars and vials up to 2-1/2 gallons
- Easily converted to a combination screw capper/overcapper similar to the Model G
- Comes with a standard rotary cap feeder (optional escalator cap feeder or vibratory cap feeder available for Models A and C)
- Can be used as a cap and pump tightener
- Comes standard with clutches for screw capping
- Stainless steel guard enclosure with Lexan doors on front and back enclosing spindle and gripper section down to conveyor

*Actual speeds may vary based on bottle and cap type and size

Model C shown with standard Rotary Cap Feeder, optional Bulk Elevator and Sanitary Conveyor with Conveyor Extension (8 spindle)



Sanitary conveyor



Guarding and safety enclosure removed for clarity



Model A shown with optional Escalator Cap Feeder, Induction Sealer and Accumulating Table (6 spindle)

Model A shown with standard Rotary Cap Feeder and Hopper (6 spindle)



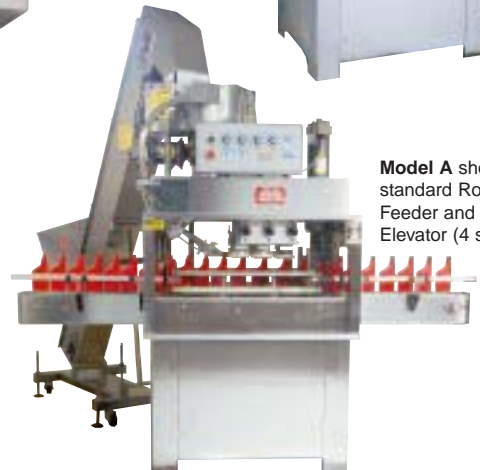
Model D shown with standard Rotary Cap Feeder and optional Mini-"L" Cap Elevator (4 spindle)



Model D shown with standard Rotary Cap Feeder and Hopper (4 spindle)



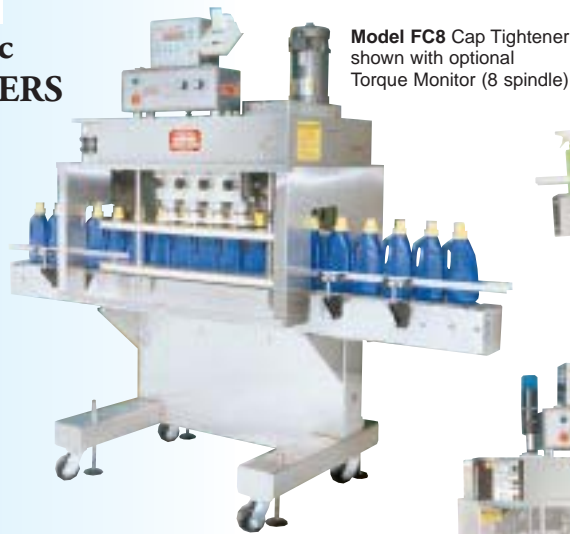
Model A shown with standard Rotary Cap Feeder and optional Bulk Elevator (4 spindle)



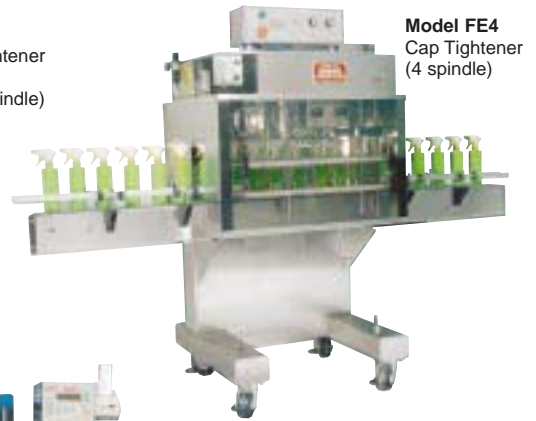
Models FC8, FA6 and FE4 8, 6, and 4 Spindle Automatic PORTABLE CAP TIGHTENERS AND RETORQUERS

Speeds From 5 To 500 BPM*

- Ideal for pump and trigger cap tightening, re-torquing after heat induction sealing and other short production runs
- **Models FA6 and FC8** handle caps of all materials and styles from 8mm to 120mm including pilfer evident and child resistant cap closures (standard range is 13mm to 70mm)
- **Model FE4** handles caps of all materials and styles from 8mm to 70mm including pilfer evident and child resistant cap closures (standard range is 13mm to 70mm)
- Handles metal, glass or plastic containers from low jars and vials up to 2-1/2 gallons
- Easily moved from one production line to another on heavy duty swivel casters
- Incorporates easily into existing production lines
- Capping speed determined by placement of caps on bottles by operator or line speeds
- Multi-functional; can be easily converted to a completely automatic Model E4, A6 or C8 capper at a later time (see page 4)
- Electronic cap torque monitoring available for quality assurance
- Comes with 4, 6 or 8 spindles; with one or two sets of bottle gripper belts
- Comes with or without conveyor
- Comes standard with patented adjustable torque clutches on all spindles
- Stainless steel guard enclosure with Lexan doors on front and back enclosing spindle and gripper section down to conveyor



Model FC8 Cap Tightener shown with optional Torque Monitor (8 spindle)



Model FE4 Cap Tightener (4 spindle)



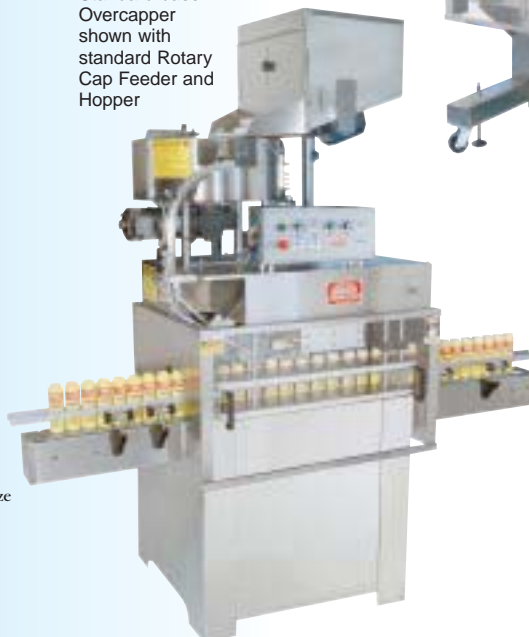
Model FA6 Cap Tightener shown with optional Torque Monitor (6 spindle)

Model B Automatic OVERCAPPER / LIDDER

Speeds From 20 To 500 BPM*

- Fully Automatic and Semi-Automatic models available
- Handles caps of all materials, shapes and styles from 8mm to 120mm including pilfer evident, child resistant and custom cap closures (standard range is 13mm to 70mm)
- Comes as a portable model for use over your existing conveyor or as a conventional non-portable capper
- Handles metal, glass or plastic containers from low jars and vials up to 2-1/2 gallons
- Easily converted to a combination capper similar to the Model G (see page 7)
- Comes with a standard rotary cap feeder (optional escalator cap feeder or vibratory cap feeder available)
- Stainless steel guard enclosure with Lexan doors on front and back enclosing spindle and gripper section down to conveyor

Model B-A Standard base Overcapper shown with standard Rotary Cap Feeder and Hopper



Model B-E4 Portable base Overcapper shown with standard Rotary Cap Feeder and Hopper

Model B-A6 Portable base Overcapper shown with standard Rotary Cap Feeder and Hopper



* Actual speeds may vary based on bottle and cap type and size

Model G

Combination Automatic CAPPER / OVERCAPPER

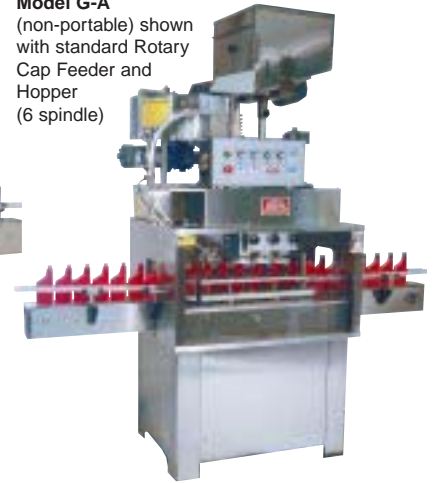
Speeds From 20 To 500 BPM*

- Fully Automatic
- Handles screw caps, press-on overcaps and fitments on the same machine
- Comes with 4, 6 or 8 spindles
- Handles caps of all materials and styles from 8mm to 120mm including pilfer evident and child resistant cap closures (standard range is 13mm to 70mm)
- Handles metal, glass or plastic containers from low jars and vials up to 2-1/2 gallons
- Comes as a portable model for use over your existing conveyor or as a conventional non-portable capper
- Comes with a standard rotary cap feeder (optional escalator or vibratory cap feeder available)
- Can be used as a cap and pump tightener or cap retorquer
- Comes standard with clutches for screw capping
- Several methods for overcapping available to suit your needs
- Stainless steel guard enclosure with Lexan doors on front and back enclosing spindle and gripper section down to conveyor

Model GE4 (portable)
shown with standard
Rotary Cap Feeder and
Hopper (4 spindle)



Model G-A
(non-portable) shown
with standard Rotary
Cap Feeder and
Hopper
(6 spindle)



Model BC

MULTI-PURPOSE BOTTLE CARRIER/TRANSPORTER

- For applications such as gap transporting between conveyors, depucking containers, bottom coding, decorating, etc.
- Portable on heavy-duty casters to move from one production line to another
- Electronically controlled variable speed adjustments for carrier belts to accommodate all applications
- Completely adjustable with no change parts from vials to gallons
- Handles containers of all shapes and styles
- Several carrier belt lengths available
- Comes with or without conveyor
- Single or double carrier belts available

Model BC-23 Multi-Purpose
Bottle Carrier/Transporter



Model BC-23
Multi-
Purpose
Bottle
Carrier/
Transporter
without
conveyor



Model BP Automatic BALL PLACER/INSERTER

Model BP - Speeds From 20 to 250 BPM*

- Fully automatic
- Exclusive patented design is ideal for roll-on deodorants, perfumes and similar applications
- Portable on heavy-duty casters
- No container—no ball dispenser
- No timing screws or timing mechanisms required
- Stainless steel rotary ball feeder
- No change parts for most container styles and sizes
- Straight line continuous motion
- Available with several hopper styles
- Comes with or without conveyor
- Stainless steel guard enclosure with Lexan doors on front and back enclosing spindle and gripper section down to conveyor

Model BP
shown with
optional
Conveyor



Bottling System including Kaps-All's Model BP
Ball Placer, Automatic Capper and Accumulator

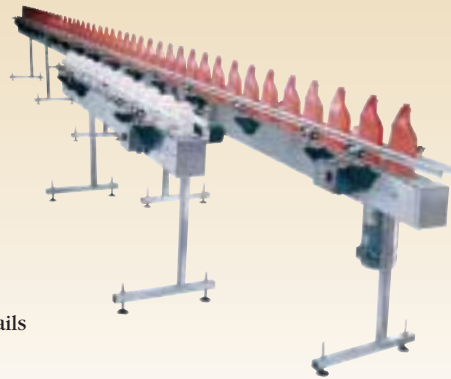
* Actual speeds may vary based on bottle and cap type and size

Complete Modular **CONVEYS-ALL®** Conveyor Systems For All Applications

Conveyors available from 3ft. (1 meter) to 38 ft. (12 meters).
Standard, sanitary and custom layouts available

- Rugged, simple, stainless steel construction
- Variable speed electronic drives
- Stock lengths for immediate delivery
- Custom lengths, widths and designs to meet all applications
- Easy to clean design
- Complete with stainless steel pedestals and fully adjustable patented guide rails
- Handles containers, boxes and other conveyable items
- Stainless steel turning wheels for 90° turns and other custom applications
- Curved conveyors
- Hazardous environment controls and motors available
- Sanitary conveyors for all applications

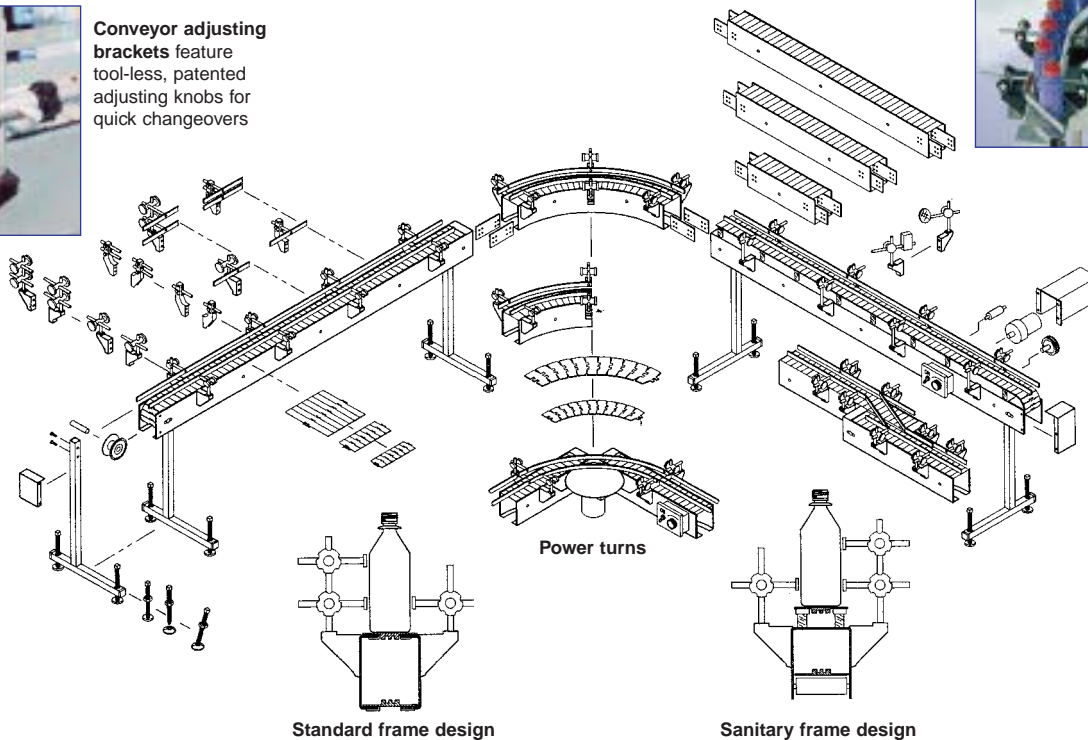
48-Hour
Shipments
Available



Conveyor adjusting brackets feature tool-less, patented adjusting knobs for quick changeovers



Curved Conveyors



Typical side transfer layout

Innovative Engineering

Kaps-All Packaging Systems' professional engineering staff is committed to quality and creativity which is the driving force of our innovation. Let our 60 years in business, designing and manufacturing capping machines work for you. Kaps-All Packaging Systems is recognized worldwide as the leader in state-of-the-art, high performance packaging systems with advanced features such as:

- No change parts
- In-line electronic torque monitoring and feedback
- Minimum moving parts
- Patented designs allows for maximum production utilizing minimal set-up time.

Thousands of Kaps-All capping systems are in place in the packaging industry and countless repeat customers testify to Kaps-All's leadership and reliability. Contact us today for a free consultation to discuss your packaging needs.



For more information on Kaps-All® products, please request separate bulletins on Kaps-All's complete line of bottling and packaging equipment and systems



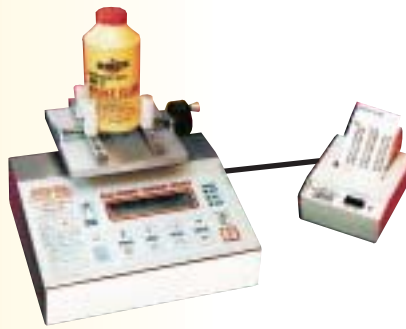
Unscramblers • Cleaners • Fillers • Conveyors • Sealers • Torque Testers

Model EB-650

Automatic ELECTRONIC BENCH TORQUE METER

- Bench model measures application and removal torque of screw caps and closures while being capped on their containers
- Portable and compact - (measures only 10-1/2" wide x 10-3/4" deep x 7-3/4" high)
- Meter reads in five different units: Lb.-in., Oz.-in., Lb.-ft., Kg.-cm. and N-m.
- One piece stainless steel rugged enclosure, suitable for harsh environments
- Display torque is held on screen for easy viewing until next test is performed - no optional minimum and maximum spring indicators required
- Complete bottle clamping mechanism which can quickly and easily adjust from a vial to a gallon container
- Audible and visual (LED) indicators assist in ease of operation
- Can operate with both 110V, 1 phase, 60 Hz (50 Hz) and rechargeable nickel-cadmium batteries for complete portability (comes with battery charger)
- Other voltages available
- Built-in automatic shut-off when unit is not in use
- Available with RS-232 computer interface and printer

See common features below



19.1 Lb.-in.
ON BPM= 120



Model EM-980

Automatic ELECTRONIC MACHINE TORQUE MONITOR

- In addition to the features above, the machine model measures application torque of screw caps while being capped on their containers as the capper is operating throughout the entire speed range of up to 200 BPM
- Operates on 110V, (220V optional) 1 phase, 60 Hz. (50 Hz)
- Outputs are standard for visual and audible alarms or to provide a signal for optional rejector for containers with low torques
- LCD screen displays final torque of each container being capped

See common features below

Common features of Bench and Machine models

- Torque is read on LCD digital screen in 1/10 increments for added accuracy
- Only one model is necessary for a torque range from 0-100 Lb.-in. and 0-115 Kg.-cm.
- Handles all styles, materials, types, shapes and sizes of closures, including child resistant and tamper evident
- Lexan panel for easy use and cleaning
- Certificate of traceability to the National Bureau of Standards available upon request
- Built-in mini-computer with standard statistical analysis package allows operator to display test results on integral screen without the need for additional computers and printer
- RS-232 communications link interfaces torque tester to a computer or printer (Printer is standard on Model EM-980)
- Standard statistical analysis which can be displayed on two line integral screen includes:

- | | |
|---|--|
| A. Lot number (set by operator) | B. Sample size tested |
| C. Units selected | D. Minimum torque of all tests performed |
| E. Maximum torque of all tests performed | F. Average torque of all tests performed |
| G. Standard deviation of all tests performed | H. Upper acceptable torque limit |
| I. Target torque limit desired | J. Lower acceptable torque limit |
| K. Number of bottles over range and under range | |



Electronic Machine Torque Monitor shown on Kaps-All's Automatic Cap Tightener

Models P-700 and P-700-R

HAND-HELD CAPPERS

with CAP-ABILITY®

- Up to 40+ cappings per minute
- Comes complete with balanced mounting suspension system to minimize operator fatigue
- Tightening torques up to 40 Lb.-in.
- Chuck sizes available to handle a wide range of cap sizes
- Full 2 year guarantee on power drive unit and clutch
- The only unit on the market with the exclusive, Kaps-All patented adjustable "Dial-A-Torque"® clutch system
- Ideal for both in-case capping and on-line capping
- Units come complete with balancer, one chuck, one clutch, one clutch adjusting tool and one cap driver insert
- Comes complete with filter-regulator, lubricator and all tubings and fittings needed for immediate operation
- One chuck and chuck insert can handle a range of several cap diameters
- Capable of tightening both screw and lug caps of all materials from 15mm diameter and up
- Model P-700-R can be used as a de-capper to remove caps from containers
- Requires little or no floor or bench space
- Unlike other units on the market, a consistent torque and minimal wear on chuck inserts can be expected with the fully adjustable, exclusive torque mechanism.
- The need to rely on air flow for desired torque is eliminated
- Model P-700 is suitable for hazardous location environments
- Push to start lever and automatic torque stop feature simplifies operator use
- In stock and available for quick delivery



Model P-700

OPTIONAL EQUIPMENT:

- Support system for balancer and cap driver to secure directly to table (See photo "A" below)
- Torque reading tool to accurately determine and adjust torque settings on adjustable "Dial-A-Torque"® clutch systems
- Anti-torque arm eliminates operator fatigue and increases safety for long term use
- Table mounted, lever-actuated capper stand (see photo "B" below)



Kaps-All® provides over 30 patented features to help handle your applications

Cap Alternator (Patented)

For special capping applications such as "F" style containers (where a handle is on top of the container i.e.; antifreeze bottle) and double neck containers (where two or more different cap types are required). The alternator allows the release of only one cap per container using a special alternating cam to bypass the handle or other high container parts. (No air required).



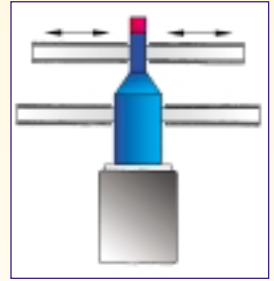
Remotely Controlled Torque Limiting Clutch System (Patented)



Pneumatically operated torque limiting clutches give all the same benefits and advantages of the mechanical clutches, while at the same time providing additional advantages. These clutches allow the operator to adjust the application torque of the caps as they are applied to the containers. They can be adjusted while the machine is in operation eliminating lost production time and the need to adjust each clutch individually. Calibrated dials assure the operator of repeatable torque settings for each capping application without the need of torque wrenches and separate tools.

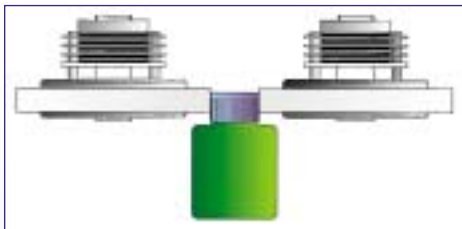
Adjustable Bottle Gripper Belts (Patented)

In cases where the container is not uniformly cylindrical, such as with tapered bottles, the top set of bottle gripper belts can be adjusted. This is done by holding the narrow portion of the container independently from the lower portion of the container. In cases of offset bottle necks and special container designs (such as animals and figurines) the belts are infinitely adjustable to match the contour of most custom containers. This unique optional adjustable belt feature allows for complete control of the container while it is being capped.



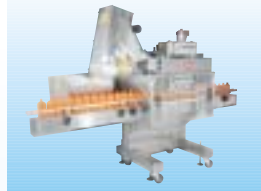
Mechanical Adjustable Torque Limiting Clutch System (Patented)

Provided as standard equipment on all Kaps-All Screw Cappers are torque limiting clutches to facilitate a consistent, repeatable and desired application torque. These specially engineered torque limiting clutches are easily adjusted for a wide torque range from 0.1 Lb.-in. up to 80 Lb.-in. of application torque. A calibrated torque tester available from Kaps-All, is used to ascertain the setting. These clutches minimize excessive wear of the cap tightening discs and eliminates marring of the caps.



Parts Escalator, Orienter, Feeder Model FS-12 (Patented)

- Exclusive patented design, all stainless steel construction
- Feeds and orients standard flat caps and similar parts up to 120mm
- Handles child resistant and pilfer evident caps
- No exotic or expensive changeover parts needed
- Mounts directly on Kaps-All Cappers and feeds into existing cap chute
- Can also be used with other existing machinery



Rotary Cap and Parts Feeder Models FSRF-24 and FSRF-36 (Patented)

- Mounts directly onto Kaps-All capping machines
- Exclusive patented, compact design
- Stainless steel construction
- Feeds and orients all caps and small parts into pre-determined orientation at rates of 10 to 700 parts per minute
- Handles most standard, tall, child safety, pilfer evident, snap caps and similar parts
- Only simple adjustments required for fast changeovers
- Full 2 year guarantee, the longest in the industry
- Ideal for jars and small containers.
- Can also be used with other existing machinery



Kaps-All® . . . Your Single Source For Bottling And Packaging Equipment

Kaps-All, a leading designer and manufacturer of quality packaging machinery systems, utilizes over 30 patented features for maximum proven performance. State-of-the-art components offer reliability and versatility to keep pace with all production requirements. Call for more information or applications assistance.



Parts Elevator/Hopper Model FS-B

- Uniquely designed stainless steel Parts Elevator for the feeding of Caps, Plugs, Dip Tubes, Aerosol Valves, Pumps and other similar parts
- Features include: compact design, low cost, variable speed drive, portability and hopper sizes from 5 to 20 cubic feet
- Designed specifically for use with Kaps-All Cappers and can also be used with other existing machinery



Parts and Cap Elevator/Hopper Model Mini™

- Easy-Load® small footprint Cap and Parts Elevator that mounts directly onto Kaps-All cappers or available with its own mobile floor stand for use with other existing machinery



Kaps-All® . . . The Proven Standard® In Packaging Equipment

Complete Bottling Systems Are Available For The Entire Spectrum Of Packaging Applications

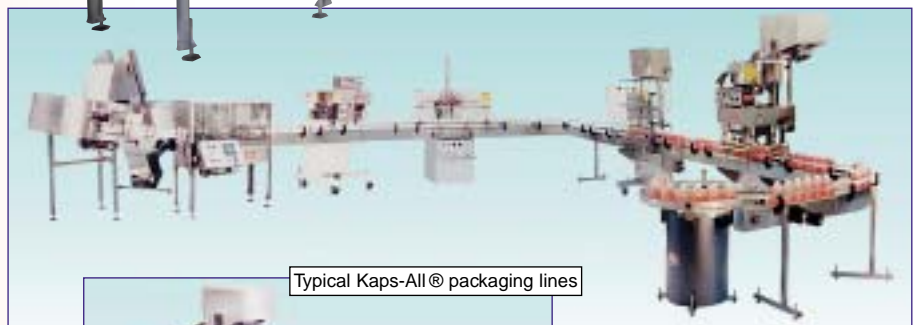
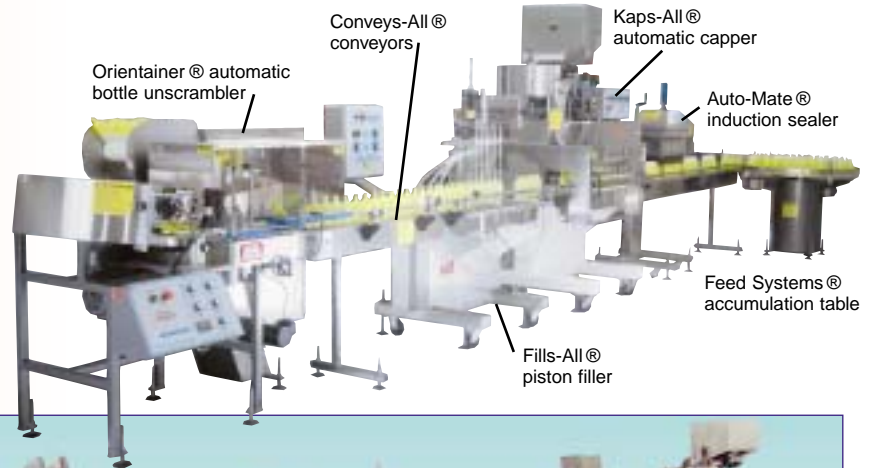
- Pharmaceutical • Industrial • Cosmetic • Biotech • Laboratory • House-Hold Products • Biomedical •
- Chemical • Food and Dairy • Automotive • Veterinary • Paint • Toiletries and Hygienics •

Additional Packaging Equipment:

In addition to its comprehensive line of capping machines and electronic torque testing equipment, Kaps-All Packaging Systems, Inc., also manufactures a wide range of automatic and semi-automatic:

- Liquid fillers
- Piston fillers
- Volumetric fillers
- Pressure fillers
- Gravity fillers
- Combination pressure and gravity fillers
- Bottle cleaners/Ionizers
- Bottle orienters
- Bottle unscramblers
- Conveyors
- Induction sealers
- Diagnostic monitoring systems
- Accumulating systems

Kaps-All is your single source for a wide range of bottling and packaging equipment from one machine to complete systems. This ensures product compatibility and easy integration for your bottling and packaging needs. Our experienced sales and engineering staff is always available for assistance and further information.



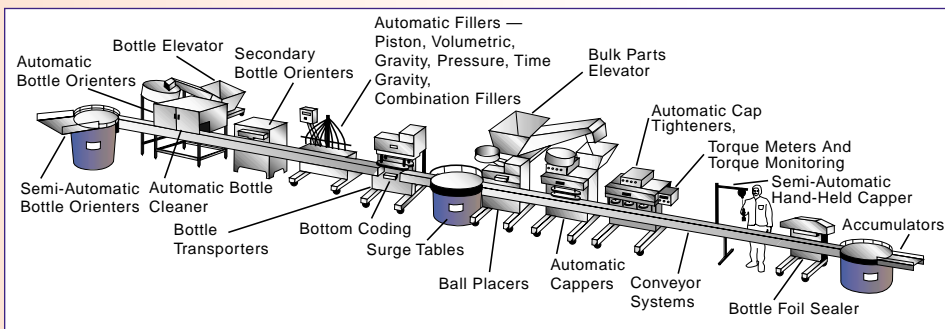
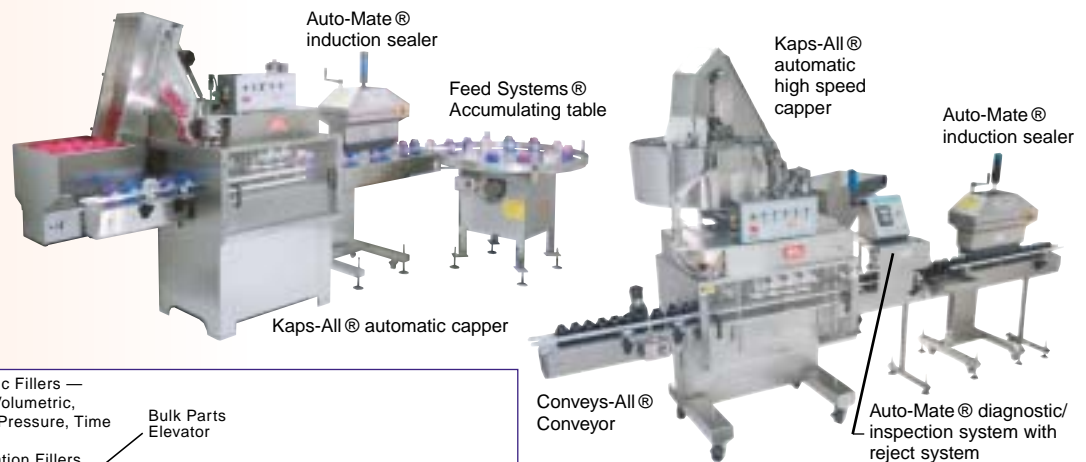
Typical Kaps-All® packaging lines



As a bottling machinery integrator, Kaps-All can provide induction cap sealing bottle inspection systems and other machinery to complete your packaging line requirements!

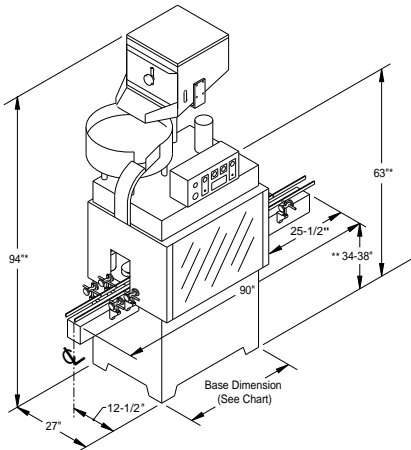
Demonstration and Testing of Your Products (No cost or Obligation)

For an initial evaluation of your products, we offer demonstrations and testing in our plant without any obligation on your part. We're convinced that once you see the versatility and state-of-the-art design of our entire line of packaging equipment you will appreciate the dependability, ease of operation, consistency of performance and low cost. Kindly provide us with your production specifications and products. (For your convenience, see enclosed questionnaire).



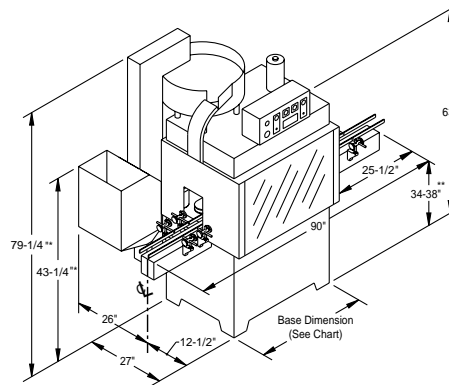
DIMENSIONS AND SPECIFICATIONS

Standard Frame Automatic Capper



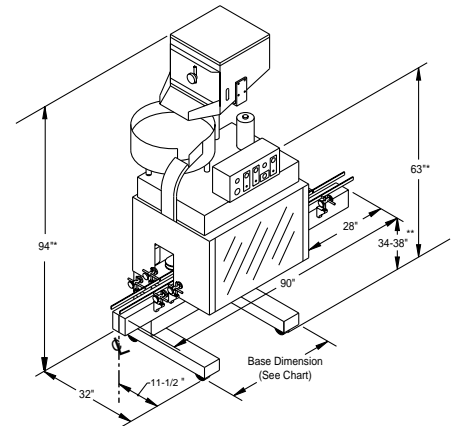
Models A, B, C, D and G shown with Standard Hopper

Standard Frame Automatic Capper



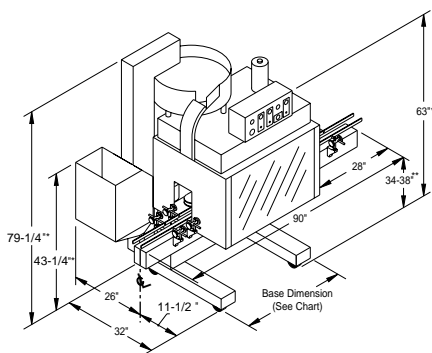
Models A, B, C, D and G shown with Mini-'L' Cap Elevator

Portable Frame Automatic Capper



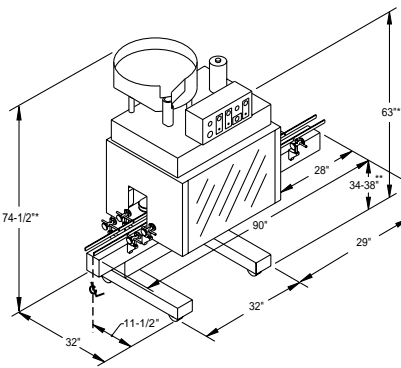
Models E4, A6 and C8 shown with Standard Hopper and Conveyor

Portable Frame Automatic Capper



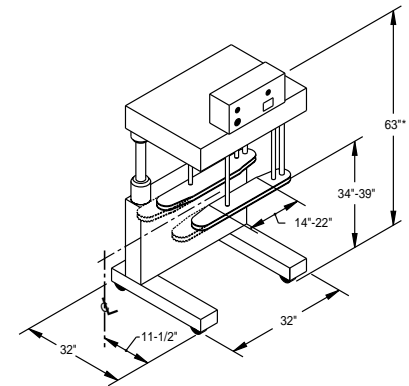
Models E4, A6 and C8 shown with Mini-'L' Cap Elevator and Conveyor

Automatic Ball Placer



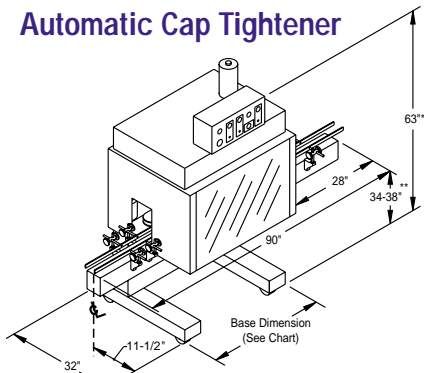
Model BP shown with Conveyor

Bottle Carrier / Transporter



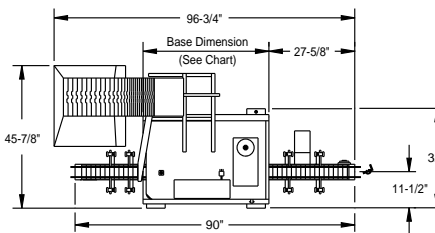
Models BC-16 and BC-23

Automatic Cap Tightener



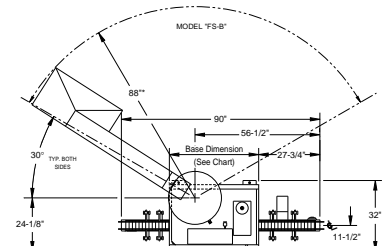
Models FE4, FA6 and FC8 shown with Conveyor

Both Standard Frame and Portable Frame Automatic Capper



Shown with FS-12 Cap Escalator Orienter (Available with most Capper Models)

Both Standard Frame and Portable Frame Automatic Capper



Shown with FS-B Bulk Cap Elevator (Available with all Automatic Cappers)

Base Dimensions

Model	A	B	C	D	G	E4	A6	C8
Width (in.)	38"	32-46"	46"	32"	32-46"	32"	38"	44"

- Notes:
- 1) All dimensions shown are in inches. To convert to centimeters multiply inches by 2.54.
 - 2) * Indicates height based on a 34" high conveyor and a 6" tall container.
 - 3) ** Other conveyor heights available. 4) Some items shown may be optional.
 - 5) Due to Kaps-All's commitment to maintain quality leadership in the packaging industry, dimensions, specifications and options subject to change without notice.
 - 6) Electrics: 110V, 1 PH, 60/50 Hz or 220V, 3 PH, 60/50 Hz (standard) other voltages available on request. Air consumption: Cap feeder - 2 to 4 cubic ft/min, (for most applications). Pneumatic clutches - Pressurized system, no air consumed.

Developers and Manufacturers of Complete Bottling and Packaging Systems

• KAPS-ALL® Bottle Cappers and Cap Tighteners • FILLS-ALL® Automatic and Semi-Automatic Liquid Fillers • FEED SYSTEMS® Rotary and Escalator Parts Feeders • CLEAN-N-VAC® Bottle Cleaners • ORIENTAINER® Bottle Orienters and Unscramblers • CONVEYS-ALL® Conveying Systems • EASY-KAP® Hand Cappers • Ball Placers • Bulk Loaders • Accumulators • Bottle Carriers • Desiccant Inserters • Electronic Torque Metering and Monitoring • Heat Induction Bottle Sealers • Inspection Systems • Custom Packaging Machinery