

# Knowledge Precision Performance

## Atlas

Combine the fastest available bagmaking speeds with these productivity-boosting advances

- Highest quality seals owing to the industry's widest choice of sealing mechanisms and Ishida's special backseal unit
- Better film-feed control thanks to servo-motor controlled pull down system and unique strain-gauge load cell
- Neater, faster product insertion with Ishida weigher-bagmaker chute synergy and unique bag-former geometry

Increase operator productivity by making learning and operation easier and faster

- Touch panel RCU offering standardised operating screens, minimum keystroke operation, 'no mistake' product image registration and multi-language support
- Film splicing and film changeover now easier and faster than ever before
- CF card data management for greater data security

Pick the integrated approach that will maximise your packing speed and yield

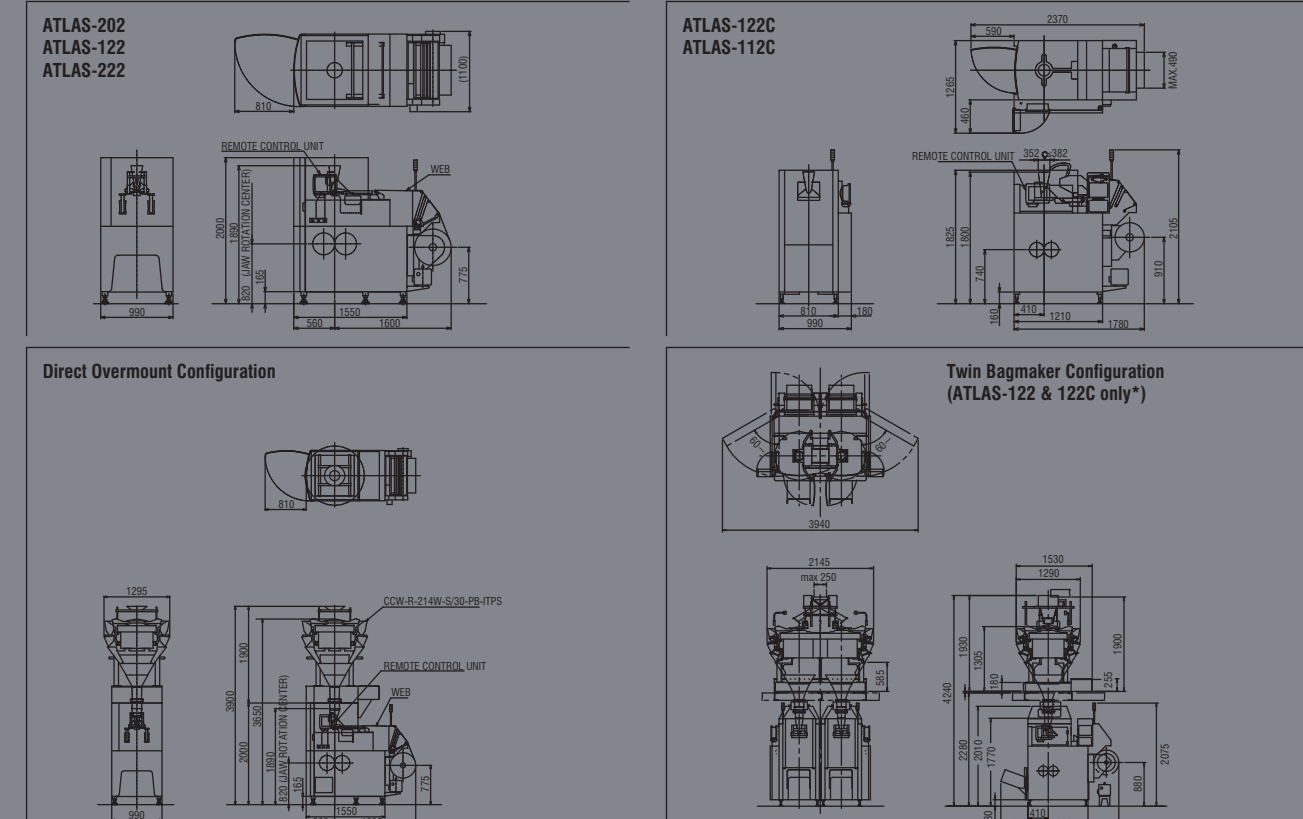
- Combine Atlas bagmaking with Ishida weighing for optimised results and single-source convenience
- Choose the weigher-bagmaker configuration that best meets your product and floorspace requirements
- Benefit from total integration, including seal testing and checkweighing

up to  
**280 bpm**

Specifications					
Model	ATLAS-202	ATLAS-222	ATLAS-122	ATLAS-122C	ATLAS-112C
Running Speed*	up to 200bpm	up to 200bpm	up to 250bpm	up to 250bpm	up to 125bpm
Bag Size	Width	101.6 - 330mm	101.6 - 330mm	75 - 230mm	75 - 230mm
	Length	127 - 711mm	127 - 711mm	75 - 533mm	75 - 533mm
Film Size	Max. roll width	685.8mm	685.8mm	483mm	483mm
	Bore of film roll core	76.2mm	76.2mm	76.2mm	76.2mm
Product	Snack foods such as potato chips, corn chips, tortilla chips				
Film Feeding Motion	Continuous/Intermittent		Continuous		
Machine Size	Width	990mm		990mm	
	Height	2000mm		1825mm	
	Length	2160mm		1780mm	
Power	Power Voltage**	3 phase AC200V-208V 50/60Hz 3 phase AC220V-480V (Built-in Transformers)			
Supply	Allowable voltage fluctuation	±10%			
Air Supply		0.5 - 1MPa (5.1 - 10.2kgf/cm <sup>2</sup> ) 60N/min.			
Net Weight		1300kg		1200kg	
Operational Temperature		32-104°F (0-40°C) RH30-70% non-condensing			
Options		Data printer, Air nitrogen switch and solenoid assembly for Air Jet, Splicing plate film knife kit, Product poker			
Sealing Jaw Motion		Twin jaw D-motion	Twin rotary jaw	Twin rotary jaw	Single rotary jaw

\*Actual maximum running speed depends on the product, product volume, packaging material and in-feed conditions.  
\*\*Other power supply available upon consultation  
Note: Specifications subject to change without notice

### Dimensions (mm)



**Ishida Europe Limited**  
11 Kettles Wood Drive  
Woodgate Business Park  
Birmingham B32 3DB  
United Kingdom  
Tel: +44 (0)121 607 7700  
Fax: +44 (0)121 607 7666  
info@ishidaeuropa.com

**Ishida Czech Republic**  
Tel: +420 317 844 059  
Fax: +420 317 844 052  
info@ishidaeuropa.cz

**Ishida Netherlands**  
Tel: +31 (0)499 39 3675  
Fax: +31 (0)499 39 1887  
info@ishida.nl

**Ishida France**  
Tel: +33 (0)1 48 63 83 83  
Fax: +33 (0)1 48 63 24 29  
info@ishidaeuropa.fr

**Ishida Romania**  
Tel: +40 (0)21 300 15 16  
Fax: +40 (0)31 710 70 57  
info@ishidaeuropa.ro

**Ishida Germany**  
Tel: +49 (0)791 945 160  
Fax: +49 (0)791 945 1699  
info@ishida.de

**Ishida South Africa**  
Tel: +27 (0)11 976 2010  
Fax: +27 (0)11 976 2012  
ishidasales@ishida.co.za

**Ishida Middle East**  
Tel: +971 (0)4 299 1933  
Fax: +971 (0)4 299 1955  
ishida@ishida.ae

**Ishida Switzerland**  
Tel: +41 (0)41 799 7999  
Fax: +41 (0)41 790 3927  
info@ishida.ch



# Innovation Commitment Quality Experience

**Ishida Europe: understanding and tackling the weighing and packing line challenges you face**

- Unique engineering expertise, combined with practical industry knowledge in your sector
- Global applications experience, including snacks, meat, poultry, ready meals, fresh produce, dry and frozen foods, bakery, confectionery and pasta
- R&D resources and commitment to support both continuous improvement and major innovation
- Solutions include multihead weighers, distribution and topping systems, snack food bagmakers, traysealers, X-ray inspection systems, checkweighers, weigh-price-labellers, seal testers, pick-and-place systems, complete lines, project management and consultancy

# Atlas Snack Food Bagmakers

**Highest speeds, maximum productivity**

www.ishidaeuropa.com

(E) ATLAS 05.09

www.ishidaeuropa.com



# Atlas Snack Food Bagmakers

## The advanced features behind Atlas productivity

### Weigher-bagmaker chute synergy

Weigher discharge chute and bagmaker entry funnel are designed and made by a single manufacturer (Ishida) based on extensive experience. Product flow across the interface is optimised for speed and smoothness.

### Bag-former geometry

Original shape plus N<sub>2</sub> gas flushing system prevent product from being blown upward, ensuring even product charging.

### Servo motor-controlled vacuum pull-down belt

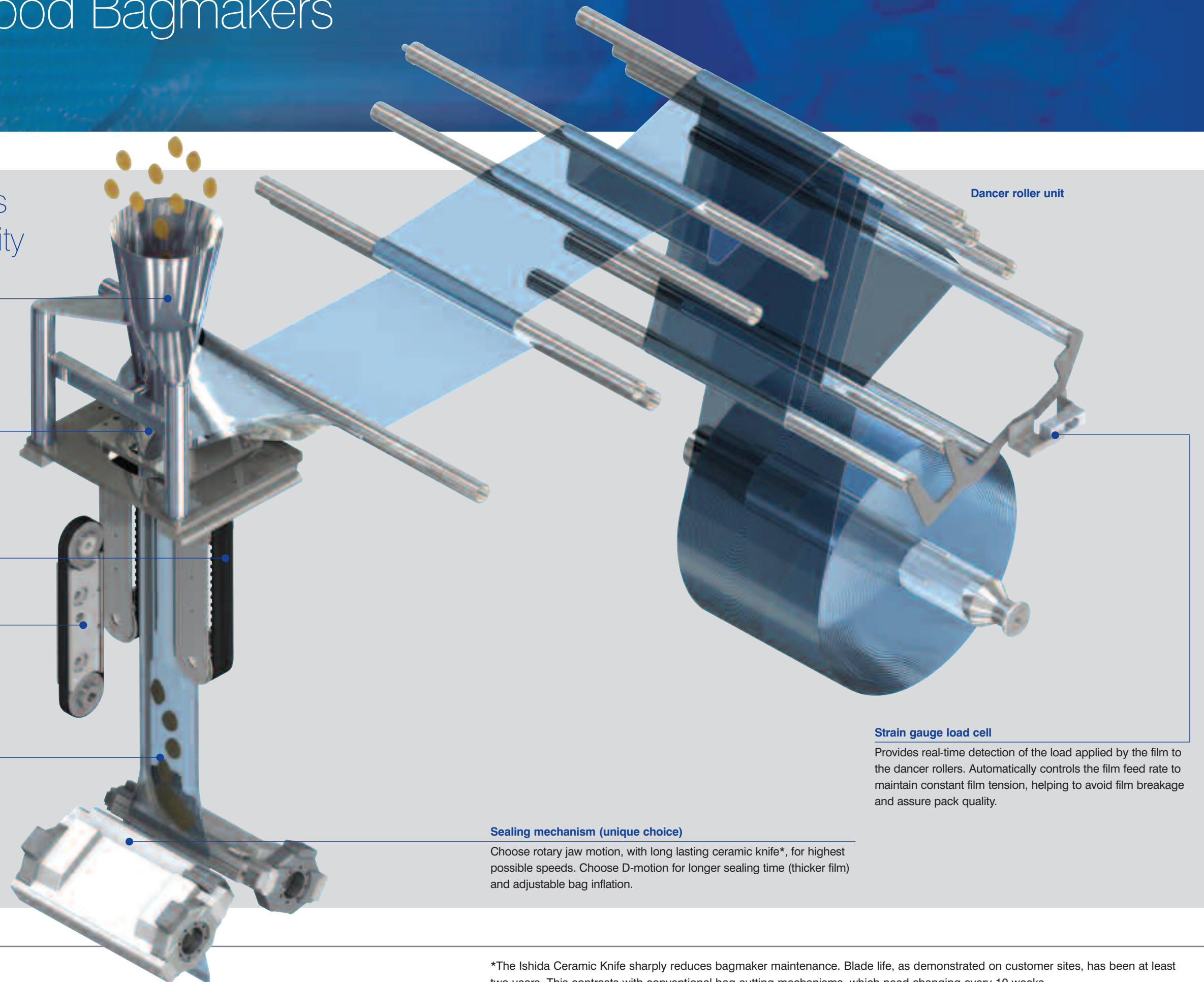
Enables precise film feeding, even at high speed.

### Backseal unit

Rotating hot steel band, synchronised exactly with film speed, delivers the world's smoothest vertical seal, which is instantly cooled by an air blower. Complete integrity assured for both fin and lap seals.

### Ishida stripping device

Clears product from the area where the sealing jaws will meet the film, ensuring an intact seal and dramatically reducing pack waste at high speeds.



Dancer roller unit

### Strain gauge load cell

Provides real-time detection of the load applied by the film to the dancer rollers. Automatically controls the film feed rate to maintain constant film tension, helping to avoid film breakage and assure pack quality.

### Sealing mechanism (unique choice)

Choose rotary jaw motion, with long lasting ceramic knife\*, for highest possible speeds. Choose D-motion for longer sealing time (thicker film) and adjustable bag inflation.

## Increase operator productivity with easier and faster learning and operation

### An interface that really communicates

- Touch-panel RCU with highly visual, icon-based screens
- Standardised Ishida operating screens make learning simpler
- Tab system eases navigation from one screen to another
- Packs can be photographed and colour images stored to ensure correct settings/presets are chosen
- Multi-language support to accommodate most operators



Touch-panel RCU

### Film splicing and changeovers made simpler

- A special plate captures and holds the film for splicing, saving time and giving more consistent results
- During changeovers, the new film is automatically centred once the bag width is entered on the RCU
- No need to input the new bag length: Atlas automatically calculates it, using the regmark sensor



Film splicing

### Simple, secure data management

Backup and interchange of data is easy and secure, using CF (CompactFlash) cards



Easy and secure data backup

## Choose the integrated approach that maximises your packing speed and yield

### Combine with Ishida weighing for optimised results and single-source convenience

Ishida offers a fully integrated, single-manufacturer multihead weigher and bagmaker combinations for snacks. Years of experience with both machines have enabled Ishida to optimise the physical and electronic interfaces to enhance speed and reduce weighment spread. Equally important, one company takes full responsibility for the performance of the combination.

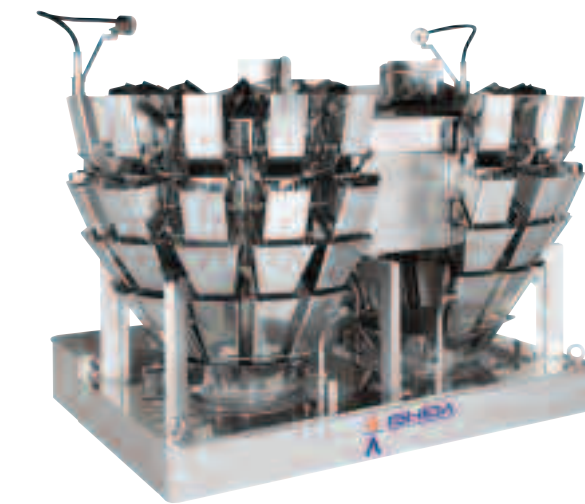
### Choose the weigher-bagmaker configuration that best meets your product and floorspace requirements

Atlas Snack Bagmakers can be deployed in two different configurations (see below). In a direct overmount setup, each bagmaker has a weigher mounted directly on top of it. In a twin-bagmaker configuration, one weigher serves two bagmakers, designed to sit together as a compact unit.

A new development is the Ishida R-218WB, an oval multihead weigher designed specifically for this purpose, delivering very high packing speeds (see right).

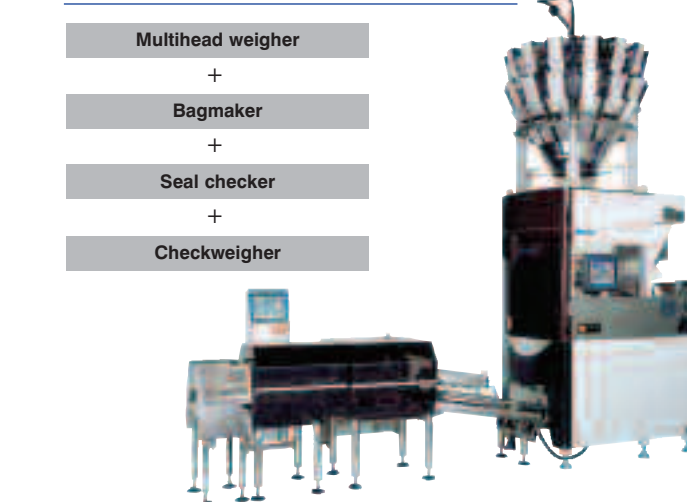
### Benefit from total integration, including seal testing and checkweighing

The benefits of single-manufacturer sourcing can be extended to provide complete integrated packing lines, including seal checkers and checkweighers. A single touchscreen makes it fast and easy to change settings and presets for a whole line. Metal detectors and printers can also be integrated.

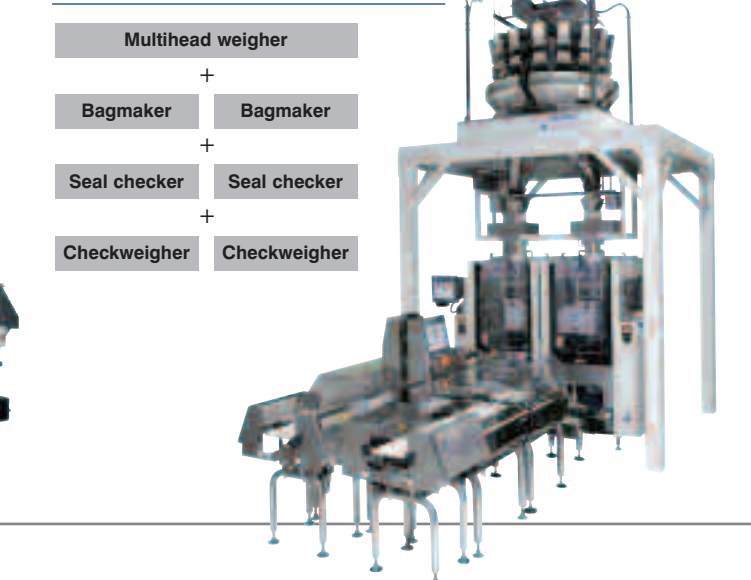


The revolutionary geometry of the new R-218 multihead weigher helps to minimise the spread of each weighment that enters either bagmaker, while achieving speeds of up to 280 wpm.

### Direct-overmount ITPS



### Twin ITPS



\*The Ishida Ceramic Knife sharply reduces bagmaker maintenance. Blade life, as demonstrated on customer sites, has been at least two years. This contrasts with conventional bag-cutting mechanisms, which need changing every 10 weeks.