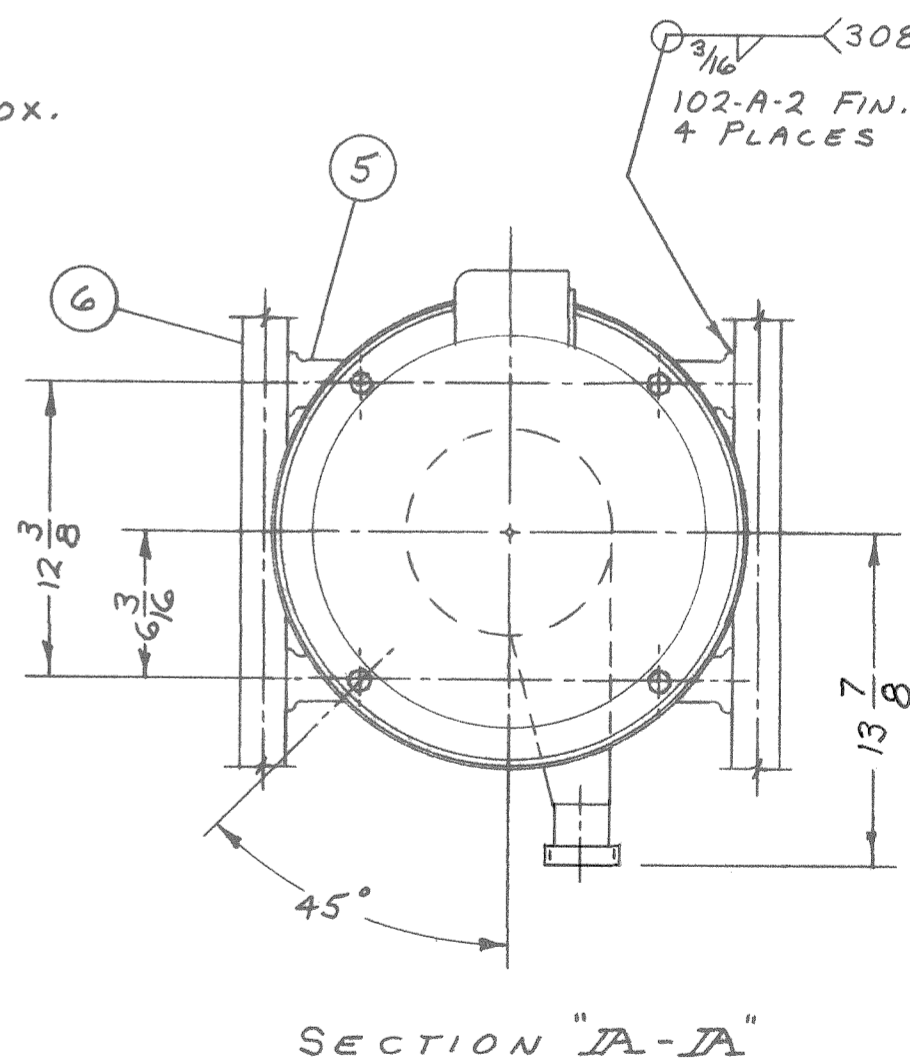
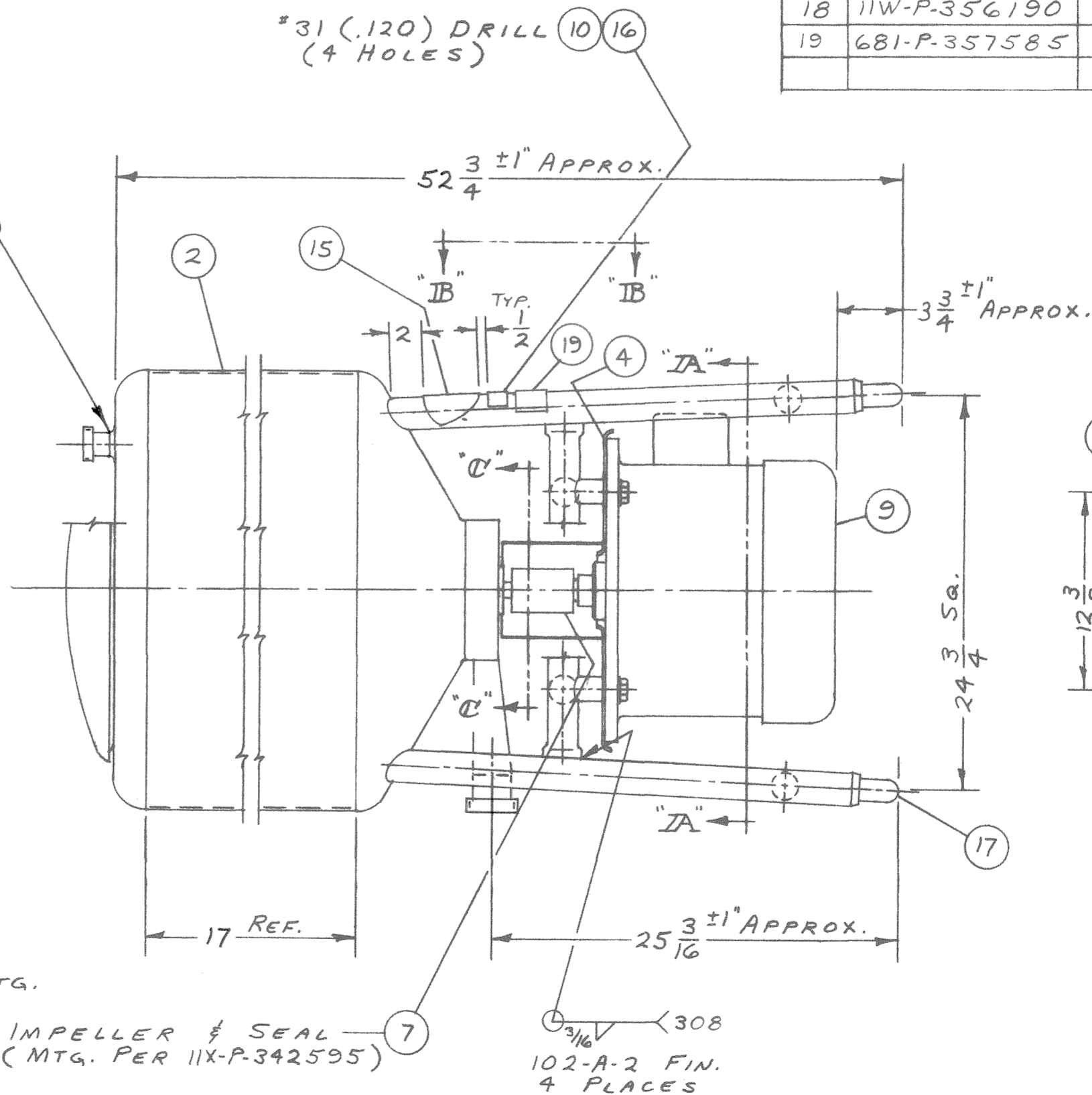
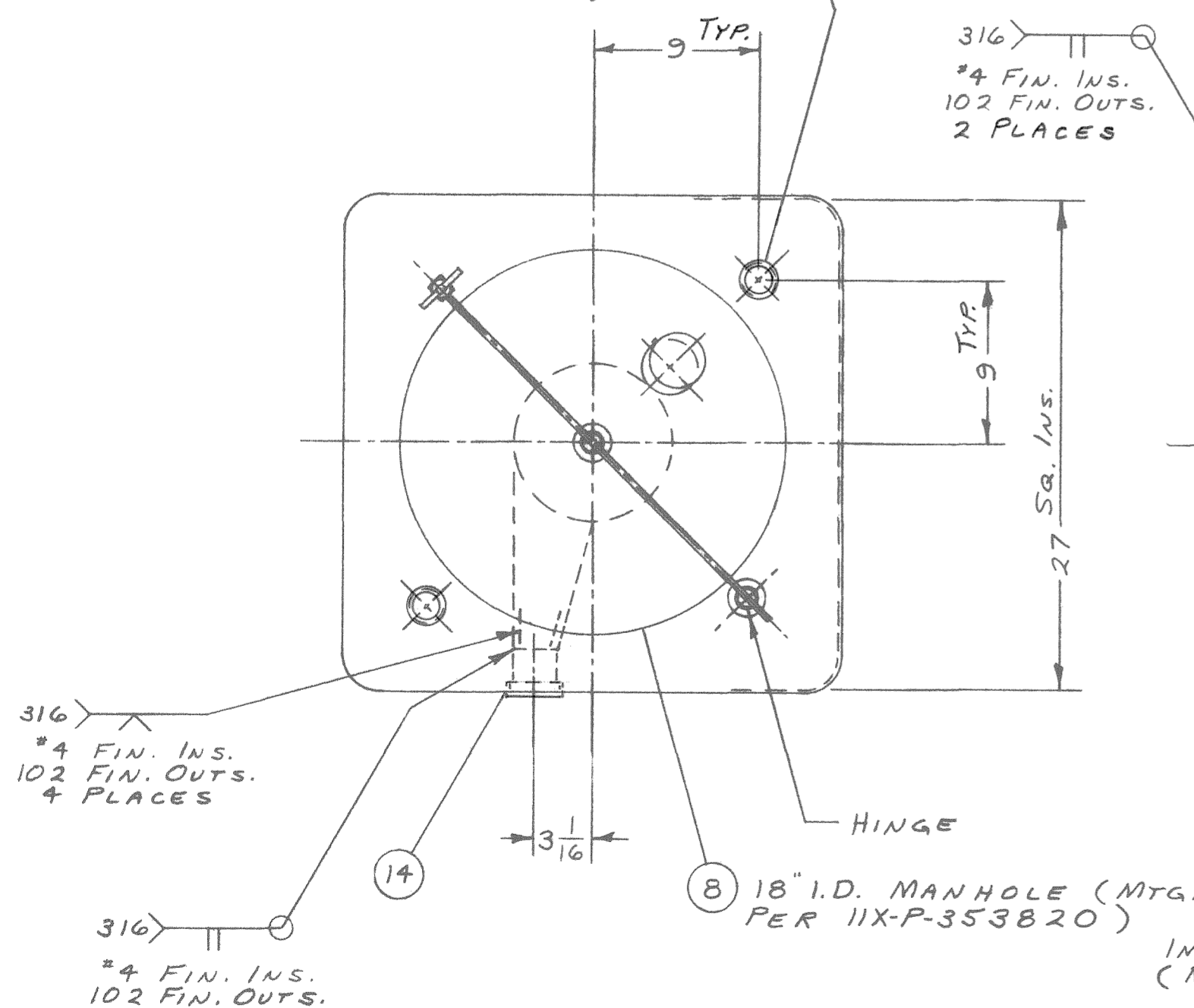


ITEM	PART No.	DESCRIPTION	REQ'D
1	11A-P-333085	GUARD	REF.
2	11A-P-353822	TANK	1
3	11H-P-262527	BLOCK	REF.
4	11H-P-262621	COVER - MOTOR	REF.
5	11H-P-342607	SUPPORT - DRIVE	REF.
6	11H-P-342608	BRACE	REF.
7	11X-P-342595	IMPELLER & SEAL MTG. INSTR.	1-PRT.
8	11X-P-353820	MANHOLE COVER MTG. INSTR.	1-PRT.
9	502-S-B073-X	MOTOR - 7 1/2 H.P. 3/60/230-460V.	REF.
10	521-V-006878	SCR.-RD. HD. DRIVE - S.S. #6 x 1/4 LG.	REF.
11	521-V-009402	SCR.-HEX. HD. CAP - S.S. 5/8-11 x 2	REF.
12	523-V-007191	LOCK WASHER - S.S. 5/8	REF.
13	563-V-004071	FERRULE - 1 1/2" #15A	2
14	563-V-003304	FERRULE - 2 1/2" #15A	1
15	681-P-183005	NAME PLATE	REF.
16	681-P-280948	SERIAL No. PLATE	REF.
17	689-S-5692	FOOT - ADJUSTABLE	REF.
18	11W-P-356190	KIT - PARTS	1
19	681-P-357585	DECAL - CAUTION	REF.

CUT 1 1/8" DIA. HOLE, FLARE UP TO 1 3/8" I.D. (2 PLACES)



NOTE: TYPE 316 S.S. PRODUCT CONTACT SURFACES.  
 TYPE 304 S.S. REMAINDER  
 \*4 FINISH INS. & 102 FINISH OUTS.  
 POL. PER S-542 - DYE-CHECK PER S-320.  
 CLEAN UP PER S-482  
 TEST FOR LEAKS PER S-626

SERIAL No. B-8099  
 FARM FRESH DAIRY  
 LAWTON, OK.  
 BR. ORD. # 24-25385

CREPACO, inc.

AFFILIATE DWG'S.	
D 11X-P-342595	11B-P-353820

DATE	LOC. NO.	C.N. NO.	REVISION	BY	DATE	LOC. NO.	C.N. NO.	REVISION	BY
					2-19-80		81825	REL. FOR #24-25385	TDB

UNLESS OTHERWISE SPECIFIED	
SURFACE ROUGHNESS $\sqrt{\quad}$ NOT TO EXCEED _____ ON MACHINE FINISHED SURFACES	TOLERANCES FOR MACHINING:—
ALL DIMENSIONS IN INCHES	REAMED HOLES $\pm .0005$
MACHINED FILLETS .005 TO .015 R	DEC. DIM'S $\pm .005$
BURR SHARP EDGES .005 TO .015.	FRACTIONAL DIM'S $\pm .005$
TOLERANCE ON ANGLES $\pm 1/2^\circ$	

GENERAL ASSY. 50 GAL. LIQUIVERTER			
MAT. NOTED	WT.	LNTH.	
ABBY.	FOLIO	SCALE 1 1/2" = 12"	FIN. NOTED
DWN. TDB	DATE 2-19-80	CHKD.	TRACED
THIS PRINT IS LOANED SUBJECT TO RETURN UPON DEMAND AND UPON THE EXPRESS CONDITION THAT IT WILL NOT BE USED DIRECTLY OR INDIRECTLY IN ANY WAY DETRIMENTAL TO OUR INTERESTS. —		RES. 1	DWG. No. 11B-P-364344