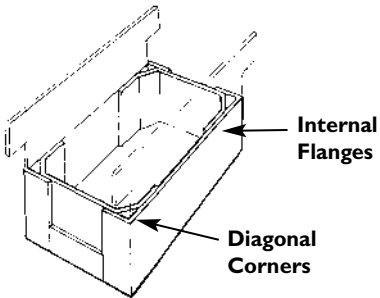
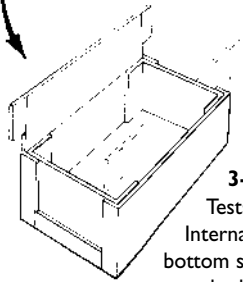
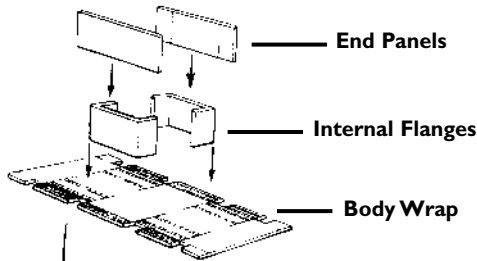


BLISS MASTR®

Model PF106-BIFQV

3-Piece Bliss Former



"Cut Corner" 3-Piece Bliss Box
"Cut Corner" option adds bearing surface for additional compression strength.



"Side Bliss" with Internal Flanges



The PF106-BIFQV features:

- **Belt Drive Feed System**
- **Color Touch Screen Control Panel and Operator Interface**
- **Quality Components & Parts**
- **24 VDC Machine Control**
- **Positive Glue Compression**
- **Quick Changeover Features**
- **Welded Tubular Steel Frame**
- **Vacuum Assist Feed Systems**
- **Optional High Capacity Hopper Systems**
- **Optional High Capacity Adhesive Feeder**
- **Stainless Steel Paint Finish**
- **UL Approved Electrical Control Panel**

PF106-BIFQV Forming Machine For Bliss Boxes. The Moen model **PF106-BIFQV** 3-Piece Bliss Former combines our 40+ years experience in Bliss box forming with field proven technologies in electronics, pneumatics, vacuum systems, and mechanics. End Panel and Body Wrap Vacuum Feed Systems are used to reduce down time and material waste. Quality components and parts, and a welded tubular steel frame add longevity to the **PF106-BIFQV**. An optional high-capacity Automatic Stack Transfer System is also available for high-speed operations.



Quality Corrugated Packaging Equipment

12333 East Los Nietos Road, Santa Fe Springs, CA 90670
(562) 946-6381 ■ FAX (562) 946-3200

Email: sales@moenindustries.com

Web Site: www.moenindustries.com



3-Piece Bliss Former

Model PF106-BIFQV

Forming Machine Air Consumption

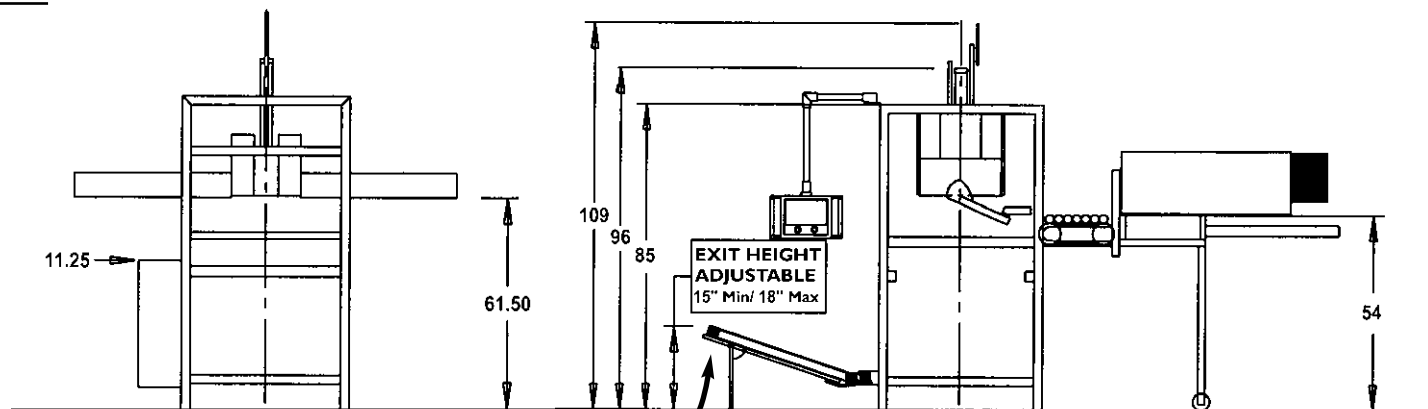
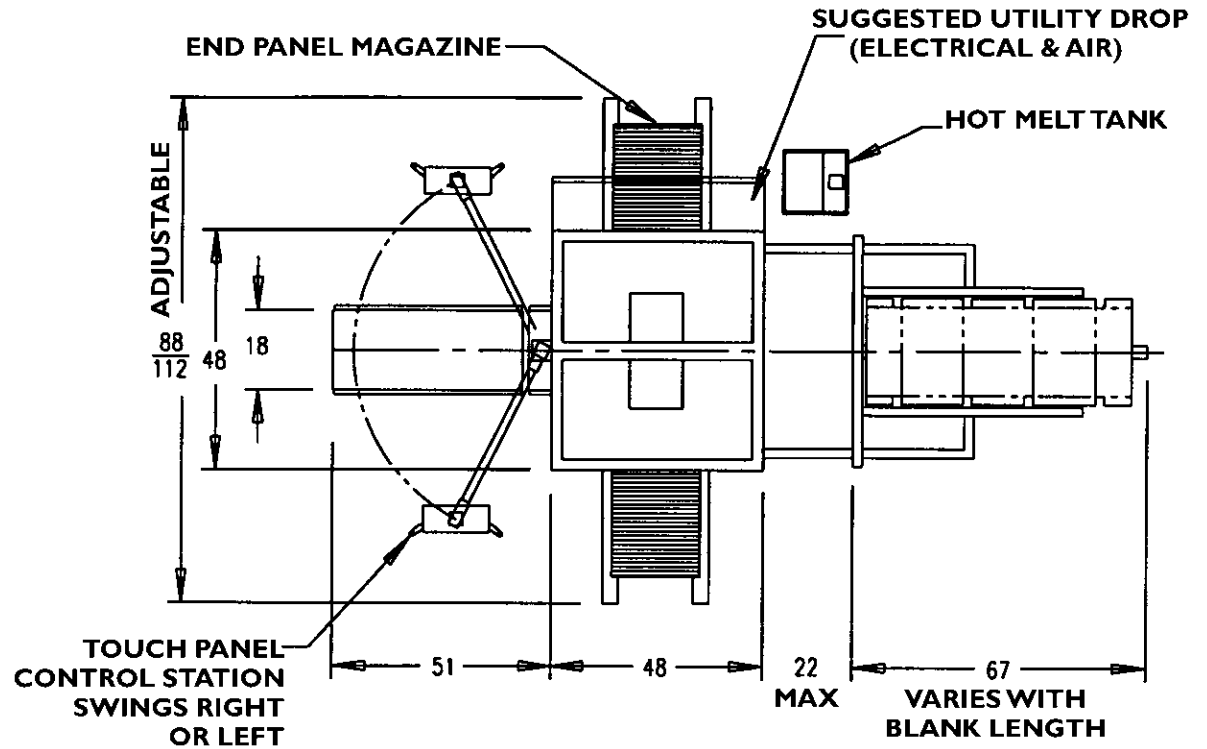
Air Usage @ per cycle in SCFM **2.789**
(operating pressure = 85 PSIG)

Electrical Requirements

| Standard | Optional |
|----------|----------|
| 230 VAC | 460 VAC |
| 3 Phase | 3 Phase |
| 60 Hz | 60 Hz |
| 30 Amps | 15 Amps |

| Box I.D. | Min | Max |
|-------------------------------------|-----|-----|
| Length (Across Compression ends) | 8" | 24" |
| Width (Parallel w/ends) | 8" | 24" |
| Depth w/o flaps | 4" | 12" |
| Depth w/flaps | N/A | 20" |

| Flat Die Cut Blank Range | Min | Max |
|--------------------------|-----|-----|
| Bodywrap Length | 16" | 56" |
| Bodywrap Width | 12" | 29" |
| End Panel Width | 8" | 28" |
| End Panel Height | 4" | 17" |



Incline limited by size of boxes.
Larger lengths available.

Rate of Production: Up to 30 c.p.m.



12333 East Los Nietos Road, Santa Fe Springs, CA 90670

(562) 946-6381 ■ FAX (562) 946-3200 ■ Email: sales@moenindustries.com Web Site: www.moenindustries.com

MPF106BIFQV7-2-04r2

Quality Corrugated Packaging Equipment