



FXV

CLOSED CIRCUIT COOLING TOWER



CROSSFLOW // INDUCED DRAFT // AXIAL FAN

Highest Efficiency, Lowest Maintenance

The FXV is the highest performing, most efficient closed circuit cooling tower in the industry. Offering years of reliable operation, it was engineered for easy maintenance and fast, trouble-free installation. Its CTI certified design along with combined flow technology delivers the highest value.

Factory Assembled Platforms

\$1,200 Savings Per Cell

Ideal for contractors and owners looking to reduce the cost of installation while ensuring on-time commissioning. Safely inspect the nozzles while the unit is in operation.

Combined Inlet Shields

\$24,000 Lifetime Maintenance Savings

Designed to block sunlight to prevent accelerated growth of algae on the fill and minimize splash.

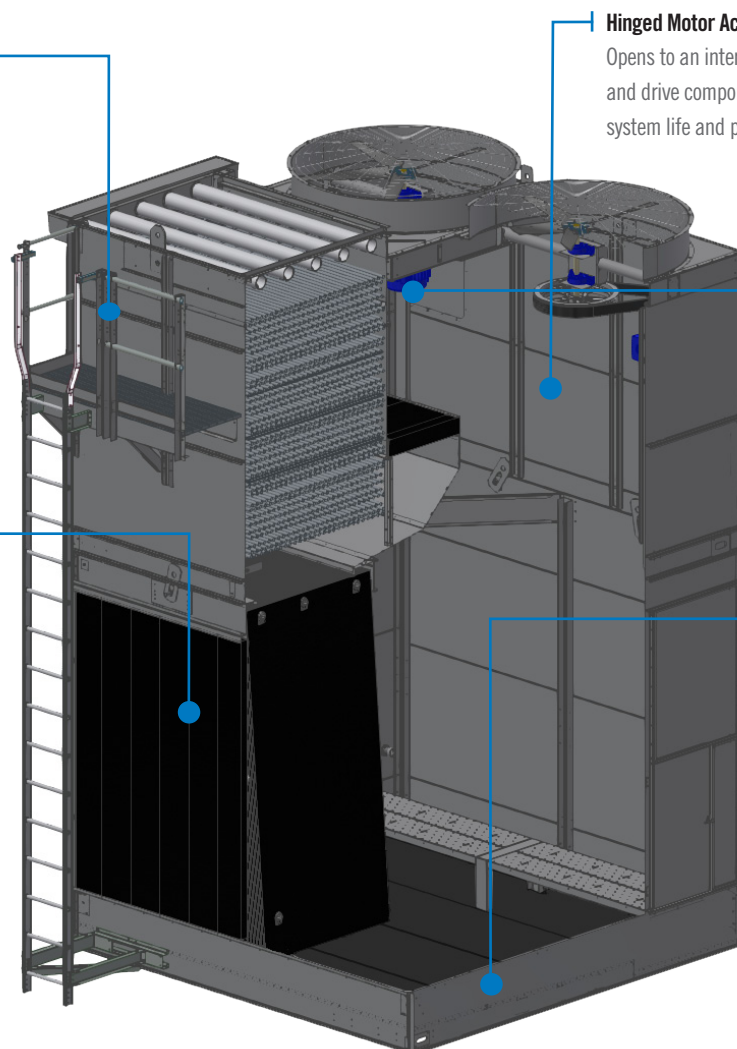
Combined Flow Coil Technology

Combines parallel air and water paths to reduce scale build up and ensure peak system energy efficiency.

Crossflow Design

\$24,000 Lifetime Savings Per Cell

Easier accessibility reduces maintenance costs, ensures peak system energy efficiency and reduces operating costs.



Hinged Motor Access Doors

Opens to an internal walkway to the motor and drive components, easing service to increase system life and performance.

BALTDRIIVE® Power Train

Unique corrosion resistant materials and state-of-the-art technology ensure reliable, year-round operation. It requires only periodic inspection of components and belt tensioning with a simple nut adjustment.

TriArmor® Corrosion Protection System

Provides a unique protective layer over G-235 galvanized steel to form a completely seamless cold water basin, ensuring long lasting durability.

EVERTOUGH™ Construction

Combines the most corrosion resistant materials to withstand extremely adverse water conditions and is backed by a comprehensive 5-year warranty. Materials include a TriArmor® Corrosion Protection System cold water basin, stainless steel submerged components, thermosetting hybrid polymer on wet/dry areas and a PVC water distribution system.



FXV

CLOSED CIRCUIT COOLING TOWER

BAC EXCLUSIVE FEATURES

ENERGY EFFICIENT

Crossflow Design // Combined Flow Technology
Meets or Exceeds ASHRAE Standard 90.1

EASE OF MAINTENANCE

Hinged Access Doors // Internal Walkway
Louver-Face Platform



HIGHEST RELIABILITY

TriArmor® Corrosion Protection System
EVERTOUGH™ Construction // IBC Compliant

LOWER COSTS

Maintenance // Operation // Installation
Factory-Assembled Platforms

COMBINED Flow TECHNOLOGY



SMALL TO LARGE
TONNAGE REQUIREMENTS

29-424 Nominal Tons
in a Single Cell

Up to 3,600 USGPM
for Process Applications



OSHPD



THE BALTIMORE AIRCOIL COMPANY DIFFERENCE

Access to best-in-class technology, the strength of our people and sales network, and the reliability of our products are reasons alone to partner with BAC. But ultimately, customers rely on us for our commitment to create custom solutions for their unique applications.