



1.6 cu. ft. Countertop Microwave

WMC30516H



Fingerprint Resistant Stainless Steel
WMC30516HZ

Capacity

Total 1.6 cu. ft.

General Features & Properties

Microwave Presets

Microwave Built-In Trim Kit (Optional)

Electronic Touch Controls

Add 30 Seconds Option

Control Lock Mode

1.6 cu. ft. Capacity

Dishwasher-Safe Turntable Plate

Electrical Details

Amps 15

Volts 120

Technical Details

Microwave Type Countertop

Lighting Type Incandescent

Dimensions

Product Dimensions (H x W x D) 13" x 21-3/4" x 17-1/4"

Reference Material

[Install Guide](#)

[Use & Care Guide](#)

[Warranty](#)

Also available in:

- White **WMC30516HW**
- Black **WMC30516HB**
- Stainless Steel **WMC30516HS**
- Black Stainless Steel **WMC30516HV**

Key Features & Benefits

Sensor Cooking

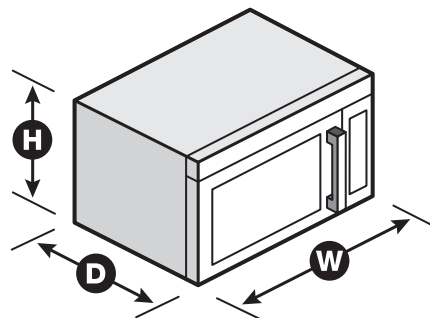
Automatically tracks the cooking progress of your food and adjusts the cook time as needed.

1,200-Watt Cooking Power

Get quick and even cooking with 1,200 watts of cooking power.

Recessed Glass Turntable

Heat larger items like cooking bowls so you can prepare vegetables, party mix or soups in the microwave.



NOTE: Dimensions are for planning purposes only. For complete details, see Installation Instructions packed with product. Specifications subject to change without notice.

®/™ © 2020. All rights reserved. Printed in the U.S.A. D200104XXE. WMC30516HSpecSheetV01.